

HP StorageWorks

MSL2024 and MSL4048 Fibre Channel tape drive upgrade and replacement



CAUTION! Parts can be damaged by electrostatic discharge. Keep parts in electrostatic containers until needed. Ensure you are properly grounded when touching static sensitive components.



The HP StorageWorks MSL2024 tape library can support one or two half-height Ultrium 448 tape drive(s), or one full-height Ultrium 960 tape drive, or one full-height Ultrium 960 FC tape drive.

The HP StorageWorks MSL4048 tape library can support one or two full-height Ultrium 960 tape drive(s), up to four half-height Ultrium 448 tape drives, or up to two full-height Ultrium 960 FC tape drives.

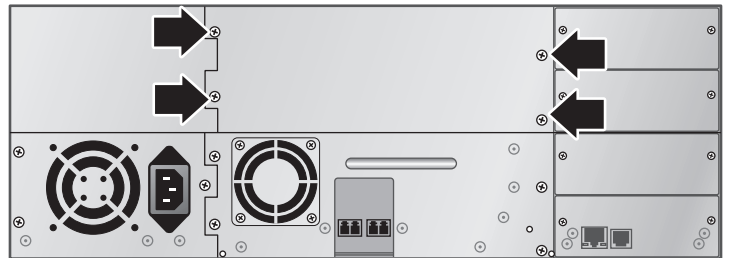
1a Installing a tape drive

Power off the library and remove the power cord from the back of the library. Locate and remove the screws holding the drive bay cover in place. Remove the drive bay cover.

1b Replacing a tape drive

If you are replacing a drive, the drive bay cover will have already been removed. Remove the tape drive that you will be replacing.

MSL2024

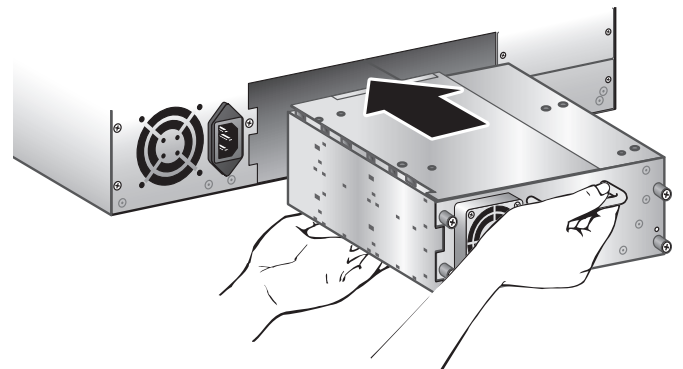


MSL4048

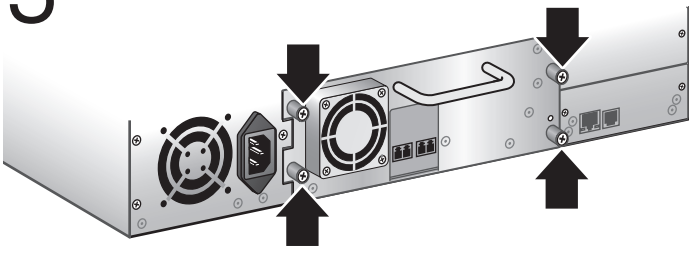
2

CAUTION! Push in on the tape drive handle while supporting the bottom of the tape drive until it is properly seated. Damage to the connector pins may occur if this procedure is not followed.

While supporting the bottom of the drive and holding the handle, slowly insert the new tape drive into the drive bay by aligning the drive with the connectors. The tape drive in the drive bay should be flush with the back of the library.



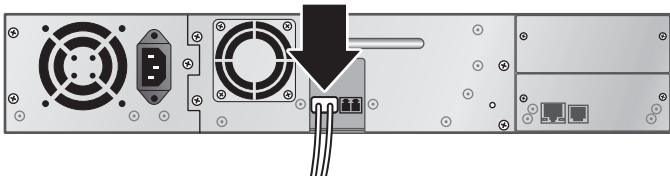
3



Tighten the captive thumbscrews until the drive is secure.

4 Connecting the tape library: Fibre Channel

IMPORTANT! For detailed Fibre Channel tape library cabling and configuration information, refer to the HP StorageWorks MSL2024, MSL4048 Tape Library Fibre Channel Reference Guide found in the Fibre Channel tape library carton.



To HBA or switch

1. Remove the FC port cap from Port A. Attach one end of the FC cable to Port A on the tape drive. Attach the other end of the FC cable to a switch or HBA.
2. Power on the server and all attached devices.
3. Attach the power cable and power on the tape library.

5 Fibre Channel configuration

IMPORTANT: HP recommends that you cable Port A only and configure Port A and Port B as stated below.

Configure the Fibre Channel ports using the Operator Control Panel, or Remote Management Interface. Configuration > Drive.

If the tape library is connected to a switch:

1. Assign Port A Configuration to:
 - a. Speed > Automatic, 2Gb/s, or 1 Gb/s
 - b. Port Type > Fabric (N), or Auto Detect
 - c. Addressing Mode and ALPA are unassigned.

2. Assign Port B Configuration to:
 - a. Speed > Automatic
 - b. Port Type > Automatic
 - c. Addressing Mode and ALPA are unassigned.

If the tape library is connected to a HBA:

1. Assign Port A Configuration to:
 - a. Speed > Automatic, 2Gb/s, or 1 Gb/s
 - b. Port Type > Auto Detect, or Loop (NL)
 - c. Addressing Mode > If Addressing Mode is set to Soft or Hard Auto-Select, then the ALPA is automatically configured.
2. Assign Port B configuration to:
 - a. Speed > Automatic
 - b. Port Type > Automatic
 - c. Addressing Mode and ALPA are unassigned.

Getting Help

- HP Product information site:
<http://www.hp.com/products/tapestorage>
- HP Technical support and phone numbers:
<http://www.hp.com/support>
- HP StorageWorks Library & Tape Tools (L&TT) diagnostic software
<http://www.hp.com/support/tapetools>



NOTE: Use HP StorageWorks Library & Tape Tools to upgrade the tape drive to the latest firmware and to verify installation. You can download the latest version of Library & Tape Tools at <http://www.hp.com/support/tapetools>.



Printed on at least 50% total recycled fiber with at least 10% post-consumer paper

© Copyright 2006 Hewlett-Packard Development Company, L.P.

First edition (June 2006)

Printed in the US.

www.hp.com

Part no. AG324-96002



AG324-96002