

### Overview

#### What's New

- Intel® Mobile Pentium® III 1.0 GHz processors with SpeedStep™ technology
- Up to 30GB Hard Drive
- CD-RW on select models
- Enhanced Battery life (up to 4 hours)
- Floppy Disk Drive Cable/Caddy (removed)

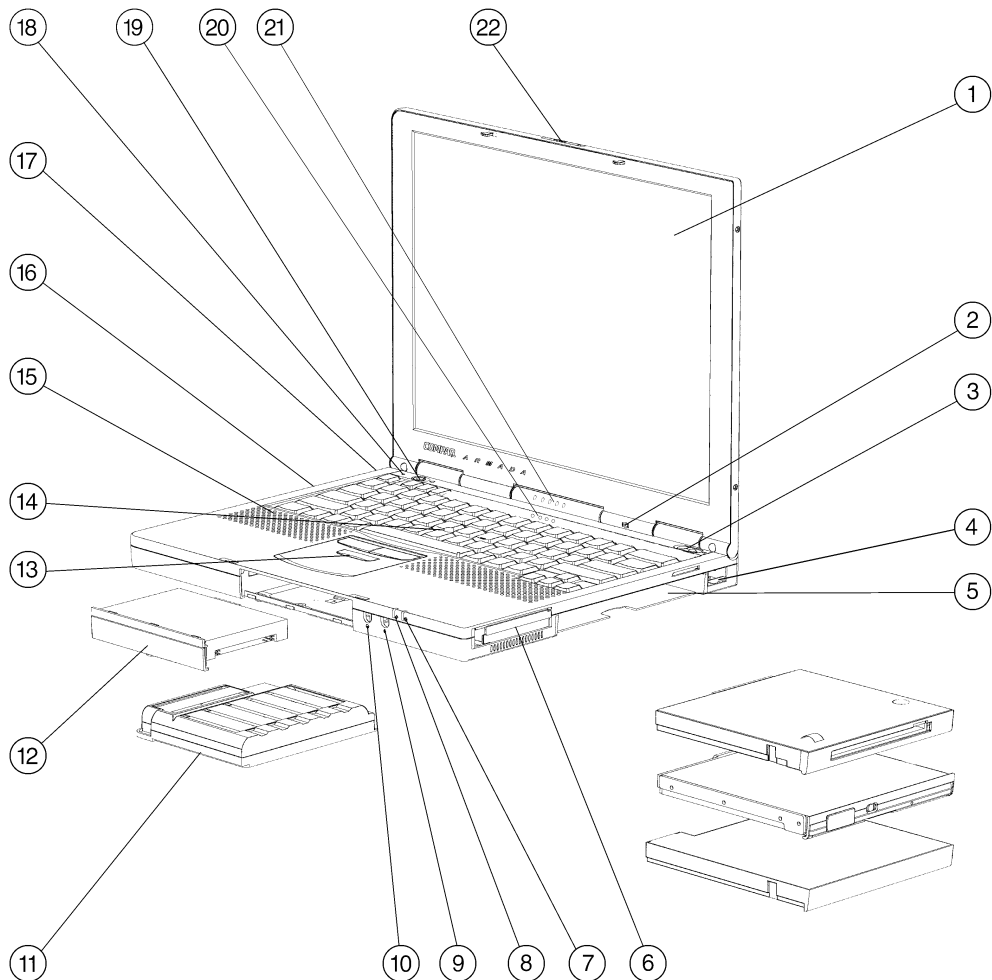
#### At A Glance

- Intel Mobile Pentium III 1.0 GHz, 850, 750, 700, MHz processors with Intel SpeedStep technology
- Up to 14.1-inch TFT XGA display
- Configurations as light as 4.8 lb/2.2 kg weight
- 1.2 in/3.048 cm thin
- 128 MB or 64 MB SDRAM (100 MHz), Upgradable to 576 MB
- Up to 30 GB SMART hard drives
- User removable hard drive
- Full-size keyboard
- Microsoft Windows 2000/Microsoft Windows NT 4.0 (Dual Install) or Microsoft Windows 98 SE
- Protected by a three-year, Worldwide Limited Warranty

**NOTE:** Certain restrictions and exclusions apply. For details, Consult the Compaq Customer Support Center at 1-800-OKCOMPAQ. (For continuous quality improvement, calls may be monitored or recorded.)

#### What's Special

- Thin and light design with integrated MultiBay
- 4.8 lb/2.2 kg light
- 1.2 in/3.048 cm thin
- Magnesium display enclosure
- Dual battery support
- Common docking solutions across the Armada E and M Series
- Industry leading PC lifecycle solutions



- |  |   |
|--|---|
| 1. Color Display   | 10. Stereo Speaker/<br>Headphone-out port |
| 2. Microphone  | 11. Primary Battery                       |
| 3. Power Switch  | 12. Primary Hard Drive                    |
| 4. RJ-11/RJ-45 ports   | 13. Left/Right/Third Mouse Buttons        |
| 5. MultiBay (holds 12.7mm<br>diskette drive, CD-RW, 24X<br>CD-ROM, 8X DVD-ROM,<br>SuperDisk 2X LS-120, second<br>battery, second hard drive) | 14. 3D Pointing Device                    |
| 6. PC Card Slots (2)   | 15. Stereo Speakers                       |
| 7. Battery Charging Light  | 16. Cable Lock Connector                  |
| 8. System-On Light   | 17. NTSC/PAL Video Connector              |
| 9. Microphone-in port  | 18. Lid Switch                            |
|  | 19. Suspend Button                        |
|  | 20. Easy Access Internet Buttons          |
|  | 21. System Status LEDs                    |
|  | 22. Display Latch                         |

## Standard Features

|                                     |  |  |
|-------------------------------------|--|--|
| <b>Processor and Panel</b>          | 14.1-inch color TFT XGA with 1024 x 768 resolution (up to 16.7M colors internal)   |  |
| <i>One of the following:</i>        | 1.0 GHz on Intel Mobile Pentium III processor<br>850 MHz on Intel Mobile Pentium III processor<br>750 MHz on Intel Mobile Pentium III processor<br>700 MHz on Intel Mobile Pentium III processor<br>650 MHz on Intel Mobile Pentium III processor  |  |
|                                     | 13.3-inch color TFT XGA with 1024 x 768 resolution (up to 16.7M colors internal)   |  |
|                                     | 700 MHz on Intel Mobile Pentium III processor  |  |
|                                     | <b>NOTE:</b> Mobile Pentium III processors feature Intel SpeedStep technology.   |  |
|                                     | <b>NOTE:</b> Mobile Pentium III processors feature 256KB integrated cache.   |  |
| <b>Memory</b>                       | Standard 128 MB - 100MHz SDRAM (64MB down on board, 64MB slot one, second slot open)   |  |
| <i>One of the following:</i>        | Maximum 576 MB - 100MHz SDRAM  |  |
|                                     | Standard 64 MB - 100MHz SDRAM (down on board, two slots open)  |  |
|                                     | Maximum 576 MB - 100MHz SDRAM  |  |
|                                     | <b>NOTE:</b> Due to the non-industry standard nature of some third-party memory modules, we strongly recommend using only Compaq branded memory modules to ensure compatibility.   |  |
| <b>Integrated Communications</b>    | Type I Mini PCI<br>Compaq 56K (V.90) Modem or<br>Compaq 56K (V.90) Modem plus 10/100 NIC   |  |
|                                     | <b>NOTE:</b> Designed only to allow faster downloads from V.90 compliant sources. Maximum achievable download transmission rates currently do not reach 56 KB/s, and will vary with line conditions.   |  |
|                                     | <b>NOTE:</b> Modem availability is subject to country regulatory approval  |  |
| <b>Keyboard</b>                     | 102-key compatible keyboard with isolated, inverted-T cursor control keys, and right-control key, special feature hotkeys for instant access to power conservation, QuickLock/QuickBlank (ex: FN+F6), toggle between internal and external, or simultaneous displays, battery gauge, speaker volume control, brightness and contrast |  |
| <b>Easy Access Internet Buttons</b> | The Armada M700 comes with four Easy Access Internet Buttons allowing quick access to your most popular Internet sites, files and applications. The buttons come pre-set; however, they are user-customizable and designed to increase productivity by providing one-touch access.   |  |
| <b>Pointing Device</b>              | EasyPoint IV™ 3D Pointing Stick  |  |
| <b>PC Card Slots</b>                | Two Type II/One Type III PC Card Slot(s) which support both 32-bit CardBus (Full support in Microsoft Windows 9.x and Microsoft Windows 2000) and 16-bit PC Cards; zoom video support in bottom slot   |  |
| <b>Storage</b>                      | Diskette Drives  | 1.44 MB  |
|                                     | Optical Drives - <i>One of the following:</i>  | CD-RW Drive<br>8X DVD-ROM Drive<br>24X CD-ROM Drive  |
|                                     | Removable Drives   | Zip 250 Drive (MultiBay)<br>IBM 1GB Micro Drive (PC Card Drive)                                      |
|                                     | Hard Drives - <i>One of the following:</i>   | 30-GB SMART Hard Drive<br>20-GB SMART Hard Drive<br>12-GB SMART Hard Drive<br>10-GB SMART Hard Drive |

### Standard Features

|  |   |         |                          |                           |  |             |   |                           |   |                  |   |  |  |                |   |                    |   |               |   |          |   |               |                     |             |                     |               |  |          |   |                       |   |
|--|---|---------|--------------------------|---------------------------|--|-------------|---|---------------------------|---|------------------|---|--|--|----------------|---|--------------------|---|---------------|---|----------|---|---------------|---------------------|-------------|---------------------|---------------|--|----------|---|-----------------------|---|
| <b>Multimedia</b>                      | <p>Compaq <i>Premier•Sound™</i> for enhanced stereo audio<br/>           Integrated 16-bit Sound Blaster Pro compatible stereo audio<br/>           Integrated stereo speakers and microphone<br/>           Software volume control<br/>           Headphone-out<br/>           Microphone in<br/>           Software MPEG1 support, MPEG2, and DVD<br/>           CD-RW-Drive (on select models)<br/>           8X DVD-ROM Drive with movie playback software (on select models)<br/>           24X CD-ROM Drive (on select models)<br/>           RCA Composite TV-out port<br/>           2X AGP graphics<br/>           8MB SDRAM</p>  |         |                          |                           |  |             |   |                           |   |                  |   |  |  |                |   |                    |   |               |   |          |   |               |                     |             |                     |               |  |          |   |                       |   |
| <b>Interfaces</b>                      | <table border="0"> <tr> <td>PC Card</td> <td>Two Type II/One Type III</td> </tr> <tr> <td>Enhanced Parallel EPP/ECP</td> <td>1 (can be used to connect external diskette drive)</td> </tr> <tr> <td>Serial Port</td> <td>1</td> </tr> <tr> <td>TV out connector NTSC/PAL</td> <td>1</td> </tr> <tr> <td>External Monitor</td> <td>1</td> </tr> <tr> <td>PS/2 External Keyboard/Pointing Device</td> <td>1 Supports Y-cable in order to attach both Keyboard and Mouse simultaneously</td> </tr> <tr> <td>Expansion Base</td> <td>1</td> </tr> <tr> <td>Headphone/Line-out</td> <td>1</td> </tr> <tr> <td>Microphone in</td> <td>1</td> </tr> <tr> <td>DC Power</td> <td>1</td> </tr> <tr> <td>RJ-11 (modem)</td> <td>1 (Model dependent)</td> </tr> <tr> <td>RJ-45 (NIC)</td> <td>1 (Model dependent)</td> </tr> <tr> <td>Infrared Port</td> <td>1 (4 Mb/s support)<br/>(IrDA 4 MB compliant. IR performance will vary depending on performance of IR peripherals and application used.)</td> </tr> <tr> <td>USB Port</td> <td>1</td> </tr> <tr> <td>LED status indicators</td> <td>7</td> </tr> </table> | PC Card | Two Type II/One Type III | Enhanced Parallel EPP/ECP | 1 (can be used to connect external diskette drive) | Serial Port | 1 | TV out connector NTSC/PAL | 1 | External Monitor | 1 | PS/2 External Keyboard/Pointing Device | 1 Supports Y-cable in order to attach both Keyboard and Mouse simultaneously | Expansion Base | 1 | Headphone/Line-out | 1 | Microphone in | 1 | DC Power | 1 | RJ-11 (modem) | 1 (Model dependent) | RJ-45 (NIC) | 1 (Model dependent) | Infrared Port | 1 (4 Mb/s support)<br>(IrDA 4 MB compliant. IR performance will vary depending on performance of IR peripherals and application used.) | USB Port | 1 | LED status indicators | 7 |
| PC Card                                | Two Type II/One Type III  |         |                          |                           |  |             |   |                           |   |                  |   |  |  |                |   |                    |   |               |   |          |   |               |                     |             |                     |               |  |          |   |                       |   |
| Enhanced Parallel EPP/ECP              | 1 (can be used to connect external diskette drive)  |         |                          |                           |  |             |   |                           |   |                  |   |  |  |                |   |                    |   |               |   |          |   |               |                     |             |                     |               |  |          |   |                       |   |
| Serial Port                            | 1   |         |                          |                           |  |             |   |                           |   |                  |   |  |  |                |   |                    |   |               |   |          |   |               |                     |             |                     |               |  |          |   |                       |   |
| TV out connector NTSC/PAL              | 1   |         |                          |                           |  |             |   |                           |   |                  |   |  |  |                |   |                    |   |               |   |          |   |               |                     |             |                     |               |  |          |   |                       |   |
| External Monitor                       | 1   |         |                          |                           |  |             |   |                           |   |                  |   |  |  |                |   |                    |   |               |   |          |   |               |                     |             |                     |               |  |          |   |                       |   |
| PS/2 External Keyboard/Pointing Device | 1 Supports Y-cable in order to attach both Keyboard and Mouse simultaneously  |         |                          |                           |  |             |   |                           |   |                  |   |  |  |                |   |                    |   |               |   |          |   |               |                     |             |                     |               |  |          |   |                       |   |
| Expansion Base                         | 1   |         |                          |                           |  |             |   |                           |   |                  |   |  |  |                |   |                    |   |               |   |          |   |               |                     |             |                     |               |  |          |   |                       |   |
| Headphone/Line-out                     | 1   |         |                          |                           |  |             |   |                           |   |                  |   |  |  |                |   |                    |   |               |   |          |   |               |                     |             |                     |               |  |          |   |                       |   |
| Microphone in                          | 1   |         |                          |                           |  |             |   |                           |   |                  |   |  |  |                |   |                    |   |               |   |          |   |               |                     |             |                     |               |  |          |   |                       |   |
| DC Power                               | 1   |         |                          |                           |  |             |   |                           |   |                  |   |  |  |                |   |                    |   |               |   |          |   |               |                     |             |                     |               |  |          |   |                       |   |
| RJ-11 (modem)                          | 1 (Model dependent)   |         |                          |                           |  |             |   |                           |   |                  |   |  |  |                |   |                    |   |               |   |          |   |               |                     |             |                     |               |  |          |   |                       |   |
| RJ-45 (NIC)                            | 1 (Model dependent)   |         |                          |                           |  |             |   |                           |   |                  |   |  |  |                |   |                    |   |               |   |          |   |               |                     |             |                     |               |  |          |   |                       |   |
| Infrared Port                          | 1 (4 Mb/s support)<br>(IrDA 4 MB compliant. IR performance will vary depending on performance of IR peripherals and application used.)  |         |                          |                           |  |             |   |                           |   |                  |   |  |  |                |   |                    |   |               |   |          |   |               |                     |             |                     |               |  |          |   |                       |   |
| USB Port                               | 1   |         |                          |                           |  |             |   |                           |   |                  |   |  |  |                |   |                    |   |               |   |          |   |               |                     |             |                     |               |  |          |   |                       |   |
| LED status indicators                  | 7   |         |                          |                           |  |             |   |                           |   |                  |   |  |  |                |   |                    |   |               |   |          |   |               |                     |             |                     |               |  |          |   |                       |   |
| <b>Graphics</b>                        | ATI Mobility Pro, 64-bit video graphics with 8-MB SDRAM for increased color depth and graphics performance  |         |                          |                           |  |             |   |                           |   |                  |   |  |  |                |   |                    |   |               |   |          |   |               |                     |             |                     |               |  |          |   |                       |   |
| <b>Operating System</b>                | <p>Microsoft Windows 2000/Microsoft Windows NT 4.0 (Dual Install)<br/> <b>NOTE:</b> On Dual Install systems, the end user must make a one-time selection at initial start up. End users who need to change to another Operating System (OS) other than the one originally selected must obtain a new license for that OS.<br/>           Microsoft Windows 98 SE (Second Edition)</p>   |         |                          |                           |  |             |   |                           |   |                  |   |  |  |                |   |                    |   |               |   |          |   |               |                     |             |                     |               |  |          |   |                       |   |
| <b>Software</b>                        | <p>Compaq Insight Management Agents<br/>           Compaq Intelligent Manageability<br/>           Diagnostics for Microsoft Windows 2000, 9.x or NT<br/>           DVD Solution<br/>           Compaq Power Management<br/>           Compaq Security Management<br/>           Online Safety and Comfort Guide<br/>           Fax Central for Microsoft Windows 2000, 98 and NT<br/>           Acrobat Reader<br/>           Reference Guide</p>  |         |                          |                           |  |             |   |                           |   |                  |   |  |  |                |   |                    |   |               |   |          |   |               |                     |             |                     |               |  |          |   |                       |   |
| <b>System Recovery</b>                 | Each unit is shipped with a CD kit for quick recovery (erases hard disk and restores manufacturer installed image) and software recovery (installs only selected standard software)   |         |                          |                           |  |             |   |                           |   |                  |   |  |  |                |   |                    |   |               |   |          |   |               |                     |             |                     |               |  |          |   |                       |   |

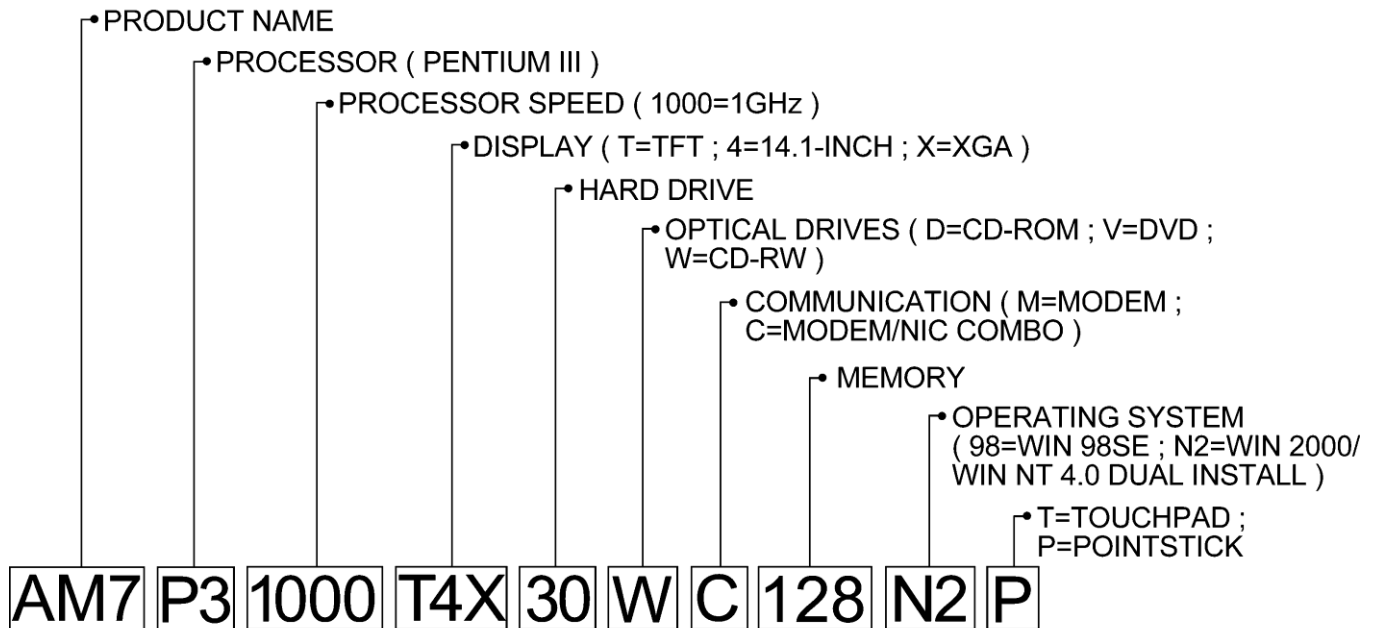
### Standard Features

|                                  |  |
|----------------------------------|--|
| <b>Intelligent Manageability</b> | <p>Compaq Intelligent Manageability, a key component of PC Lifecycle Solutions, is the broad set of manageability features found on all Compaq Deskpro desktops, Armada Notebooks, Professional Workstations and ProLiant server products. These best-in-class features on PC clients comply with industry standards, such as DMI and Wired for Management, while pioneering new ground in client manageability. Compaq introduced the industry's first line of manageable clients in 1995 and has been driving the industry ever since. With Compaq's lifecycle management philosophy, enterprises have all of the pieces for end-to-end management and proven tools for hassle-free management of PCs and significantly lower Total Cost of Ownership.</p> <p>Intelligent Manageability offers solutions in the areas of Initial Configuration and Deployment, Asset Tracking and Security, Software Updating and Management, and Fault Notification and Recovery. For more information, visit our website: <a href="http://www.compaq.com/im">www.compaq.com/im</a>.</p>  |
| <b>Security</b>                  | <ul style="list-style-type: none"><li>Configuration Control Hardware</li><li>Memory Change Alert</li><li>Ownership Tag</li><li>Set-up Password</li><li>Power-On Password</li><li>DriveLock</li><li>QuickLock</li><li>QuickBlank</li><li>Enabled for PC SmartCard options</li></ul>   |
| <b>Power Supply</b>              | External AC adapter, 6-foot/1.8 meter power cord included. Total length including External AC adapter is 12 feet/3.66 meter  |
| <b>Battery</b>                   | <p>The Armada M700 provides 4 hours of battery life using the standard 8-cell Li-Ion battery. With the additional 6-cell MultiBay battery installed, battery life may be increased to over 6.25 hours.</p> <p><b>NOTE:</b> Actual results may vary with product model, configuration, and individual usage. Compaq results of 4:01 (hr:min) were achieved running the eTesting Labs Inc.'s BatteryMark™ Test version 4.0.1 on an M700 with an Intel Pentium III 1 GHz processor, 14.1-inch XGA CTFT Display, 128 MB SDRAM, 30-GB HDD, CD-RW, 8-cell Li-Ion battery and 56k V.90 Modem plus 10/100 NIC combo. System parameters were set according to Ziff Davis recommendations: panel brightness 50%, hard drive standby and video idle time 3 minutes, Intel Speedstep battery optimized mode. The same configuration achieved 6:23 when the CD-RW was replaced with the 6-cell Li-Ion MultiBay battery.</p> <p><b>NOTE:</b> This test was performed without independent verification by eTesting Labs Inc. eTesting Labs Inc. makes no representations or warranties as to the result of the test. BatteryMark is a trademark of Ziff Davis Publishing Holdings Inc., and affiliate of eTesting Labs Inc., in the U.S. and other countries.</p> <p><b>NOTE:</b> The Universal Batter Charger will charge the V300, E500, M700 and N600c internal primary batteries, MultiBay batteries, and the M300 and N400c external handle batteries. It will <u>not</u> charge the N400c internal primary battery.</p> |
| <b>Power Conservation</b>        | <ul style="list-style-type: none"><li>Intel SpeedStep technology allows a Battery Optimized Mode where CPU draws 50% of normal power yet affords 70 to 80 % of maximum PIII processing speed)</li><li>Hibernation</li><li>Instant-On via Standby</li><li>Pop-ups with three presets</li><li>One custom level of power conservation</li><li>ACPI compliant</li></ul>  |
| <b>MultiBay Devices</b>          | <p>MultiBay devices may be swapped with the system powered on (hot) or in suspend mode (warm) under Microsoft Windows 98 SE or Microsoft Windows 2000 (except MultiBay Zip 250 drive or MultiBay secondary hard drive). MultiBay devices can be swapped with system power off under any supported operating system.</p>  |
| <b>Service and Support</b>       | <p>Compaq Services includes a three-year, Worldwide Limited Warranty, pick-up or carry-in, upgrade to on-site warranty or additional two-year warranty available, and toll-free 7 x 24 hardware technical phone support.</p> <p><b>NOTE:</b> Certain restrictions and exclusions apply. For details, Consult the Compaq Customer Support Center at 1-800-OKCOMPAQ. (For continuous quality improvement, calls may be monitored or recorded.)</p>   |

## Standard Features

### Naming Convention

The Etymology of a Model name:



### Standard Features

#### Models

---

|  |                      |   |
|--|----------------------|---|
| <b>AM7P3100T4X30WC128N2P</b><br><i>Part Number: 470011-802</i> | <b>Display</b>       | 14.1-inch color TFT XGA                       |
|  | <b>Processor</b>     | Intel Pentium III 1.0 GHz                     |
|  | <b>Cache Memory</b>  | 256-KB integrated                             |
|  | <b>Memory</b>        | Standard 128 MB SDRAM<br>Maximum 576 MB SDRAM |
|  | <b>Optical Drive</b> | CD-RW Drive IDE                               |
|  | <b>Hard Drive</b>    | 30-GB SMART                                   |
|  | <b>Modem</b>         | Mini-PCI V.90 modem/10/100 TX NIC Combo       |
|  | <b>Graphics</b>      | 64-bit video graphics with 8-MB SDRAM         |
|  | <b>Audio</b>         | Compaq <i>Premier•Sound</i>                   |
|  | <b>Software</b>      | Microsoft Windows 2000/NT4.0 (Dual Install)   |

---

|  |                      |   |
|--|----------------------|---|
| <b>AM7P3100T4X30WC12898P</b><br><i>Part Number: 470011-801</i> | <b>Display</b>       | 14.1-inch color TFT XGA                       |
|  | <b>Processor</b>     | Intel Pentium III 1.0 GHz                     |
|  | <b>Cache Memory</b>  | 256-KB integrated                             |
|  | <b>Memory</b>        | Standard 128 MB SDRAM<br>Maximum 576 MB SDRAM |
|  | <b>Optical Drive</b> | CD-RW Drive IDE                               |
|  | <b>Hard Drive</b>    | 30-GB SMART                                   |
|  | <b>Modem</b>         | Mini-PCI V.90 modem/10/100 TX NIC Combo       |
|  | <b>Graphics</b>      | 64-bit video graphics with 8-MB SDRAM         |
|  | <b>Audio</b>         | Compaq <i>Premier•Sound</i>                   |
|  | <b>Software</b>      | Microsoft Windows 98 SE                       |

---

|  |                      |   |
|--|----------------------|---|
| <b>AM7P3100T4X20VC128N2P</b><br><i>Part Number: 470011-813</i> | <b>Display</b>       | 14.1-inch color TFT XGA                       |
|  | <b>Processor</b>     | Intel Pentium III 1.0 GHz                     |
|  | <b>Cache Memory</b>  | 256-KB integrated                             |
|  | <b>Memory</b>        | Standard 128 MB SDRAM<br>Maximum 576 MB SDRAM |
|  | <b>Optical Drive</b> | 8X DVD-ROM Drive IDE                          |
|  | <b>Hard Drive</b>    | 20-GB SMART                                   |
|  | <b>Modem</b>         | Mini-PCI V.90 modem/10/100 TX NIC Combo       |
|  | <b>Graphics</b>      | 64-bit video graphics with 8-MB SDRAM         |
|  | <b>Audio</b>         | Compaq <i>Premier•Sound</i>                   |
|  | <b>Software</b>      | Microsoft Windows 2000/NT4.0 (Dual Install)   |

---

|  |                      |   |
|--|----------------------|---|
| <b>AM7P3100T4X20VC12898P</b><br><i>Part Number: 470011-791</i> | <b>Display</b>       | 14.1-inch color TFT XGA                       |
|  | <b>Processor</b>     | Intel Pentium III 1.0 GHz                     |
|  | <b>Cache Memory</b>  | 256-KB integrated                             |
|  | <b>Memory</b>        | Standard 128 MB SDRAM<br>Maximum 576 MB SDRAM |
|  | <b>Optical Drive</b> | 8X DVD-ROM Drive IDE                          |
|  | <b>Hard Drive</b>    | 20-GB SMART                                   |
|  | <b>Modem</b>         | Mini-PCI V.90 modem/10/100 TX NIC Combo       |
|  | <b>Graphics</b>      | 64-bit video graphics with 8-MB SDRAM         |
|  | <b>Audio</b>         | Compaq <i>Premier•Sound</i>                   |
|  | <b>Software</b>      | Microsoft Windows 98 SE                       |

---

### Standard Features

---

|  |                      |   |
|--|----------------------|---|
| <b>AM7P3850T4X20VC128N2P</b><br><i>Part Number: 470006-422</i> | <b>Display</b>       | 14.1-inch color TFT XGA                       |
|  | <b>Processor</b>     | Intel Pentium III 850 MHz                     |
|  | <b>Cache Memory</b>  | 256-KB integrated                             |
|  | <b>Memory</b>        | Standard 128 MB SDRAM<br>Maximum 576 MB SDRAM |
|  | <b>Optical Drive</b> | 8X DVD-ROM Drive IDE                          |
|  | <b>Hard Drive</b>    | 20-GB SMART                                   |
|  | <b>Modem</b>         | Mini-PCI V.90 modem/10/100 TX NIC Combo       |
|  | <b>Graphics</b>      | 64-bit video graphics with 8-MB SDRAM         |
|  | <b>Audio</b>         | Compaq <i>Premier•Sound</i>                   |
|  | <b>Software</b>      | Microsoft Windows 2000/ NT4.0 (Dual Install)  |

---

|  |                      |   |
|--|----------------------|---|
| <b>AM7P3850T4X20VC12898P</b><br><i>Part Number: 470006-421</i> | <b>Display</b>       | 14.1-inch color TFT XGA                       |
|  | <b>Processor</b>     | Intel Pentium III 850 MHz                     |
|  | <b>Cache Memory</b>  | 256-KB integrated                             |
|  | <b>Memory</b>        | Standard 128 MB SDRAM<br>Maximum 576 MB SDRAM |
|  | <b>Optical Drive</b> | 8X DVD-ROM Drive IDE                          |
|  | <b>Hard Drive</b>    | 20-GB SMART                                   |
|  | <b>Modem</b>         | Mini-PCI V.90 modem/10/100 TX NIC Combo       |
|  | <b>Graphics</b>      | 64-bit video graphics with 8-MB SDRAM         |
|  | <b>Audio</b>         | Compaq <i>Premier•Sound</i>                   |
|  | <b>Software</b>      | Microsoft Windows 98 SE                       |

---

|  |                      |  |
|--|----------------------|--|
| <b>AM7P3750T4X12VC128N2P</b><br><i>Part Number: 206647-008</i> | <b>Display</b>       | 14.1-inch color TFT XGA                      |
|  | <b>Processor</b>     | Intel Pentium III 750 MHz                    |
|  | <b>Cache Memory</b>  | 256-KB integrated                            |
|  | <b>Memory</b>        | Standard 128 MB<br>Maximum 576 MB            |
|  | <b>Optical Drive</b> | 8X DVD-ROM Drive IDE                         |
|  | <b>Hard Drive</b>    | 12-GB SMART                                  |
|  | <b>Modem</b>         | Mini-PCI V.90 modem/10/100 TX NIC Combo      |
|  | <b>Graphics</b>      | 64-bit video graphics with 8-MB SDRAM        |
|  | <b>Audio</b>         | Compaq <i>Premier•Sound</i>                  |
|  | <b>Software</b>      | Microsoft Windows 2000/NT 4.0 (Dual Install) |

---

|   |                      |   |
|---|----------------------|---|
| <b>AM7P3750T4X12VC6498P</b><br><i>Part Number: 206647-002</i> | <b>Display</b>       | 14.1-inch color TFT XGA                 |
|   | <b>Processor</b>     | Intel Pentium III 750 MHz               |
|   | <b>Cache Memory</b>  | 256-KB integrated                       |
|   | <b>Memory</b>        | Standard 64 MB<br>Maximum 576 MB        |
|   | <b>Optical Drive</b> | 8X DVD-ROM Drive IDE                    |
|   | <b>Hard Drive</b>    | 12-GB SMART                             |
|   | <b>Modem</b>         | Mini-PCI V.90 modem/10/100 TX NIC Combo |
|   | <b>Graphics</b>      | 64-bit video graphics with 8-MB SDRAM   |
|   | <b>Audio</b>         | Compaq <i>Premier•Sound</i>             |
|   | <b>Software</b>      | Microsoft Windows 98 SE                 |

### Standard Features

**AM7P3700T4X12VC64N2P**  
Part Number: 205862-008

|                      |  |
|----------------------|--|
| <b>Display</b>       | 14.1-inch color TFT XGA                      |
| <b>Processor</b>     | Intel Pentium III 700 MHz                    |
| <b>Cache Memory</b>  | 256-KB integrated                            |
| <b>Memory</b>        | Standard 64 MB<br>Maximum 576 MB             |
| <b>Optical Drive</b> | 8X DVD-ROM Drive IDE                         |
| <b>Hard Drive</b>    | 12-GB SMART                                  |
| <b>Modem</b>         | Mini-PCI V.90 modem/10/100 TX NIC Combo      |
| <b>Graphics</b>      | 64-bit video graphics with 8-MB SDRAM        |
| <b>Audio</b>         | Compaq <i>Premier•Sound</i>                  |
| <b>Software</b>      | Microsoft Windows 2000/ NT4.0 (Dual Install) |

**AM7P3700T4X12VC6498P**  
Part Number: 205862-002

|                      |   |
|----------------------|---|
| <b>Display</b>       | 14.1-inch color TFT XGA                 |
| <b>Processor</b>     | Intel Pentium III 700 MHz               |
| <b>Cache Memory</b>  | 256-KB integrated                       |
| <b>Memory</b>        | Standard 64 MB<br>Maximum 576 MB        |
| <b>Optical Drive</b> | 8X DVD-ROM Drive IDE                    |
| <b>Hard Drive</b>    | 12-GB SMART                             |
| <b>Modem</b>         | Mini-PCI V.90 modem/10/100 TX NIC Combo |
| <b>Graphics</b>      | 64-bit video graphics with 8-MB SDRAM   |
| <b>Audio</b>         | Compaq <i>Premier•Sound</i>             |
| <b>Software</b>      | Microsoft Windows 98 SE                 |

**AM7P3700T4X12VM64N2P**  
Part Number: 205861-008

|                      |  |
|----------------------|--|
| <b>Display</b>       | 14.1-inch color TFT XGA                      |
| <b>Processor</b>     | Intel Pentium III 700 MHz                    |
| <b>Cache Memory</b>  | 256-KB integrated                            |
| <b>Memory</b>        | Standard 64 MB<br>Maximum 576 MB             |
| <b>Optical Drive</b> | 8X DVD-ROM Drive IDE                         |
| <b>Hard Drive</b>    | 12-GB SMART                                  |
| <b>Modem</b>         | Mini-PCI V.90 modem                          |
| <b>Graphics</b>      | 64-bit video graphics with 8-MB SDRAM        |
| <b>Audio</b>         | Compaq <i>Premier•Sound</i>                  |
| <b>Software</b>      | Microsoft Windows 2000/ NT4.0 (Dual Install) |

**AM7P3700T4X12VM6498P**  
Part Number: 205861-002

|                      |                                       |
|----------------------|---------------------------------------|
| <b>Display</b>       | 14.1-inch color TFT XGA               |
| <b>Processor</b>     | Intel Pentium III 700 MHz             |
| <b>Cache Memory</b>  | 256-KB integrated                     |
| <b>Memory</b>        | Standard 64 MB<br>Maximum 576 MB      |
| <b>Optical Drive</b> | 8X DVD-ROM Drive IDE                  |
| <b>Hard Drive</b>    | 12-GB SMART                           |
| <b>Modem</b>         | Mini-PCI V.90 modem                   |
| <b>Graphics</b>      | 64-bit video graphics with 8-MB SDRAM |
| <b>Audio</b>         | Compaq <i>Premier•Sound</i>           |
| <b>Software</b>      | Microsoft Windows 98 SE               |



---

### Standard Features

---

**AM7P3700T3X10DC64N2P**  
Part Number: 470006-992

|                      |  |
|----------------------|--|
| <b>Display</b>       | 13.3-inch color TFT XGA                      |
| <b>Processor</b>     | Intel Pentium III 700 MHz                    |
| <b>Cache Memory</b>  | 256-KB integrated                            |
| <b>Memory</b>        | Standard 64 MB SDRAM<br>Maximum 576 MB SDRAM |
| <b>Optical Drive</b> | 24X CD-ROM Drive IDE                         |
| <b>Hard Drive</b>    | 10-GB SMART                                  |
| <b>Modem</b>         | Mini-PCI V.90 modem/10/100 TX NIC Combo      |
| <b>Graphics</b>      | 64-bit video graphics with 8-MB SDRAM        |
| <b>Audio</b>         | Compaq <i>Premier•Sound</i>                  |
| <b>Software</b>      | Microsoft Windows 2000/ NT4.0 (Dual Install) |

---

**AM7P3700T3X10DC6498P**  
Part Number: 470006-990

|                      |  |
|----------------------|--|
| <b>Display</b>       | 13.3-inch color TFT XGA                      |
| <b>Processor</b>     | Intel Pentium III 700 MHz                    |
| <b>Cache Memory</b>  | 256-KB integrated                            |
| <b>Memory</b>        | Standard 64 MB SDRAM<br>Maximum 576 MB SDRAM |
| <b>Optical Drive</b> | 24X CD-ROM Drive IDE                         |
| <b>Hard Drive</b>    | 10-GB SMART                                  |
| <b>Modem</b>         | Mini-PCI V.90 modem/10/100 TX NIC Combo      |
| <b>Graphics</b>      | 64-bit video graphics with 8-MB SDRAM        |
| <b>Audio</b>         | Compaq <i>Premier•Sound</i>                  |
| <b>Software</b>      | Microsoft Windows 98 SE                      |

### Options

|   |  |            |
|---|--|------------|
| <b>Memory</b>   | 256-MB 100 MHz Memory Upgrade  | 161554-B21 |
|   | 128-MB 100 MHz Memory Upgrade  | 400313-B21 |
|   | 64-MB 100 MHz Memory Upgrade   | 400312-B21 |
| <p><b>NOTE:</b> Due to the non-industry standard nature of some third-party Memory modules, we strongly recommend using only Compaq branded Memory modules to ensure compatibility.</p>   |  |            |
| <b>Monitors</b>   | TFT8020 Flat Panel Color 18-inch (carbon)  | 159244-001 |
|   | TFT5010 Flat Panel Color 15-inch (carbon)  | 154486-001 |
|   | TFT 5005 Flat Panel Color 15-inch (carbon)   | 201430-001 |
|   | S710 17-inch CRT (carbon)  | 154499-002 |
|   | S510 15-inch CRT (carbon)  | 168636-002 |
| <b>MultiBay Hard Drives</b>   | 30-GB SMART Hard Drive   | 212791-B25 |
|   | 20-GB SMART Hard Drive   | 212790-B25 |
|   | 10-GB SMART Hard Drive   | 212789-B25 |
| <b>MultiBay Storage Devices</b>   | Zip 250 Drive  | 217387-B25 |
|   | CD-RW Drive  | 136186-B25 |
|   | 8X DVD-ROM Drive   | 138230-B25 |
|   | 24X CD-ROM Drive   | 298452-B25 |
|   | 2X Superdisk LS-120 Drive  | 197895-B25 |
|   | IBM 1GB Microdrive (PC card Device)  | 217390-B25 |
| <b>Connectivity</b>   | 1394 PC Card   | 177593-B25 |
|   | <p><b>NOTE:</b> For additional compatible PC Cards, view the Compaq PC Card Solutions List on the Compaq website at: <a href="http://www.compaq.com/support/techpubs/pcmcia/">http://www.compaq.com/support/techpubs/pcmcia/</a></p> <p><b>NOTE:</b> Designed only to allow faster downloads from V.90 compliant sources. Maximum achievable download transmission rates currently do not reach 56 KB/s, and will vary with line conditions.</p> |            |
| <b>Wireless Connectivity</b>  | Compaq WL100 11 Mb/s Wireless LAN PC Card  | 146927-001 |
|   | Compaq WL400 11 Mb/s Wireless LAN Hardware Access Point  | 158603-001 |
|   | Compaq WL 300 Software Access Point 11Mb/s   | 157209-B21 |
| <p><b>NOTE:</b> For more information on Compaq WLAN Wireless LAN solutions visit: <a href="http://www.compaq.com/products/wlan/wl100-specifications.html">http://www.compaq.com/products/wlan/wl100-specifications.html</a></p> |  |            |

### Options

|                               |  |            |
|-------------------------------|--|------------|
| <b>Expansion Bases</b>        | ArmadaStation EM   | 383500-001 |
|                               | ArmadaStation EM with NIC  | 120266-001 |
|                               | ArmadaStation Tower Stand  | 123129-B25 |
|                               | Convenience Base EM  | 382500-001 |
|                               | Convenience Base EM with NIC   | 120971-001 |
|                               | Convenience Base Monitor Stand   | 122931-B25 |
|                               | Port Replicator EM   | 382300-001 |
|                               | PCI IBM Token Ring Card  | 133749-B21 |
|                               | PCI Cardbus Reader   | 127397-B25 |
| <b>Power</b>                  | Primary Battery (8-cells)  | 134111-B21 |
|                               | <b>Common Armada Power Solutions – Armada E500, Armada M300 and Armada M700</b>    |            |
|                               | MultiBay Battery (6-cells)   | 387937-B25 |
|                               | External Battery Charger   | 135555-001 |
|                               | AC Adapter 65W   | 265602-001 |
|                               | Auto Power Adapter/Charger   | 401043-B25 |
|                               | Aircraft Power Adapter   | 386504-B21 |
|                               | AC Line Cord (10-ft/3.1 m)   | 217932-002 |
| <b>Input Devices</b>          | External Enhanced III Keyboard (carbon)  | 118003-008 |
|                               | Compaq 2 Button Mouse (carbon)   | 103180-B21 |
|                               | USB Mouse  | 195255-B25 |
|                               | External 10-Key Numeric Keypad (carbon)  | 294317-B21 |
| <b>Security</b>               | Biometrics PC Card   | 146805-B25 |
|                               | Security Cable Lock  | 294316-B21 |
|                               | Compaq Smart Card PC Card Reader   | 135646-B25 |
| <b>Invaluable Accessories</b> | Compaq Armada Headset with microphone  | 220460-001 |
|                               | MP1400 Microportable Projector   | 174626-001 |
|                               | MP1800 Microportable Projector   | 180226-001 |
|                               | MP2800 Microportable Projector   | 180228-001 |
|                               | Multimedia Adapter & Remote Kit (standard for the MP1800, optional for the MP1400) | 174963-001 |
|                               | MP1600 Video Adapter   | 116298-001 |
|                               | MP1600 Lamp replacement kit  | 118052-001 |
|                               | MP1800/1400 Lamp replacement kit   | 189789-001 |
|                               | MP2800 Lamp replacement kit  | 215464-001 |
| <b>Carrying Cases</b>         | Compaq Value Case  | 294266-B21 |
|                               | Compaq Workstation Case  | 294267-B21 |
|                               | Compaq Global Case   | 294268-B21 |
|                               | Compaq Professional Case (nylon)   | 401366-B21 |
|                               | Compaq Professional Case (leather)   | 401367-B21 |
|                               | <b>Armada M300 and Armada M700 specific</b>  |            |
|                               | Compaq M Series Portfolio Case   | 167337-B21 |
|                               | Compaq Ultralight Case   | 167336-B21 |

## Memory

### Compaq Armada M700

#### STANDARD MEMORY

64-MB SDRAM installed on the System Board

| Memory   |        | Slot 1 | Slot 2 |
|----------|--------|--------|--------|
| Standard | 64 MB  | Empty  | Empty  |
|          | 128 MB | 64 MB  | Empty  |

#### STANDARD MEMORY PLUS OPTIONAL MEMORY

Support for up to 576 MB of SDRAM memory is available with the installation of optional SDRAM Memory Kits in addition to the 64-MB SDRAM on the System Board.

| Memory |        | Slot 1 | Slot 2 |
|--------|--------|--------|--------|
| Up To  | 192 MB | 64 MB  | 64 MB  |
|        | 256 MB | 64 MB  | 128 MB |
|        | 320 MB | 128 MB | 128 MB |
|        | 384 MB | 64 MB  | 256 MB |
|        | 384 MB | 256 MB | 64 MB  |
|        | 448 MB | 128 MB | 256 MB |
|        | 576 MB | 256 MB | 256 MB |

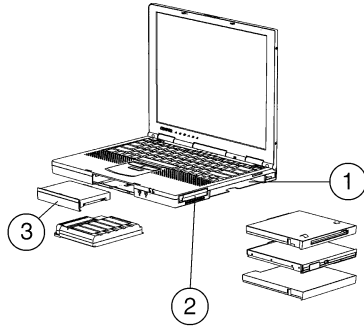
**NOTE:** This chart does not represent all possible memory configurations.

Following are memory options available from Compaq:

- 256-MB 100 MHz Memory Upgrade 161554-B21
- 128-MB 100 MHz Memory Upgrade 400313-B21
- 64-MB 100 MHz Memory Upgrade 400312-B21

**NOTE:** Due to the non-industry standard nature of some third-party memory modules, we strongly recommend using only Compaq branded memory modules to ensure compatibility.

## Storage



1. MultiBay
2. PC Card Slot
3. Dedicated hard drive bay

### DRIVE SUPPORT

| System Drive Support                | Quantity Supported | Drive Bay Supported      |
|-------------------------------------|--------------------|--------------------------|
| <b>Removable Media</b>              |                    |                          |
| 1.44-MB Diskette Drive              | 1                  | MultiBay                 |
| CD-RW Drive                         | 1                  | MultiBay                 |
| 8X DVD-ROM Drive                    | 1                  | MultiBay                 |
| 24X CD-ROM Drive                    | 1                  | MultiBay                 |
| 2X SuperDisk LS-120                 | 1                  | MultiBay                 |
| Zip 250 Drive                       | 1                  | MultiBay                 |
| IBM 1GB Micro Drive (PC Card Drive) | 2                  | PC Card Slot             |
| <b>Hard Drives</b>                  |                    |                          |
| 30-GB SMART Hard Drive              | 2                  | Dedicated hard drive bay |
| 20-GB SMART Hard Drive              | 2                  | Dedicated hard drive bay |
| 12-GB SMART Hard Drive              | 2                  | Dedicated hard drive bay |
| 10-GB SMART Hard Drive              | 2                  | Dedicated hard drive bay |

### Technical Specifications

|   |                               |  |  |
|---|-------------------------------|--|--|
| <b>System Unit</b>                      | <b>Dimensions (H x W x D)</b> | 14.1-inch TFT panel display              | 1.2 x 12.4 x 9.8 in/3.048 X 31.4 x 24.9 cm                                 |
|   |                               | 13.3-inch TFT panel display              | 1.2 x 12.4 x 9.8 in/3.048 X 31.4 x 24.9 cm                                 |
| <b>Weight</b>                           |                               | 14.1-inch TFT panel display/weight saver | 5.1 lb/2.3 kg  |
|   |                               | 13.1-inch TFT panel display/weight saver | 4.8 lb/2.2 kg  |
| <b>Stand-Alone Power Requirements</b>   |                               | Nominal Operating Voltage (Li-Ion)       | 14.4V (8-cell), 10.8V (6-cell)   |
|   |                               | Average Operating Power                  | 15W  |
|   |                               | Peak Operating Power                     | 30W  |
| <b>Power Supply</b>                     |                               | Rated Input Voltage                      | 90 to 264 VAC (auto-switching)   |
|   |                               | Rated Input Current                      | < 60W  |
|   |                               | Rated Frequency                          | 47 to 63 Hz  |
| <b>Temperature</b>                      |                               | Operating                                | 50° to 95° F/10° to 35° C  |
|   |                               | Non-operating                            | -4° to 140° F/-20° to 60° C  |
| <b>Relative Humidity</b>                |                               | Operating                                | 10% to 90% relative humidity, non-condensing                               |
|   |                               | Non-operating                            | 5% to 95% relative humidity, 101.6° F/38.7° C Maximum wet-bulb temperature |
| <b>Shock</b>                            |                               | Operating                                | 10 G, 11 ms, half-sine   |
|   |                               | Non-operating                            | 60 G, 11 ms, half-sine   |
| <b>Vibration</b>                        |                               | Operating                                | 0.5 G zero-to-peak, 10 to 500 Hz, 0.25 oct/minimum sweep rate              |
|   |                               | Non-operating                            | 1.0 G, zero-to-peak, 10 to 500 Hz, 0.5 oct/minimum sweep rate              |
| <b>Maximum Altitude (unpressurized)</b> |                               | Operating                                | 0 to 10,000 ft/0 to 3,048 m  |
|   |                               | Non-operating                            | 0 to 30,000 ft/0 to 9,144 m  |

## Technical Specifications

|  |                           |                                       |                  |  |
|--|---------------------------|---------------------------------------|------------------|--|
| <b>14.1-Inch Color TFT XGA Display</b> | <b>Dimensions (H x W)</b> | 11.22 x 8.46 in/28.5 x 21.5 cm        |                  |  |
|  | <b>Diagonal Size</b>      | 14.1 in/35.81 cm                      |                  |  |
|  | <b>Mounting</b>           | Internal Panel Supports, Side Mounted |                  |  |
|  | <b>Number of Colors</b>   | Up to 16.8M                           |                  |  |
|  | <b>Contrast Ratio</b>     | 150:1                                 |                  |  |
|  | <b>Brightness</b>         | 120nt typ                             |                  |  |
|  | <b>Pixel Resolution</b>   | <b>Pitch</b>                          | 0.264 x 0.264 mm |  |
|  |                           | <b>Format</b>                         | 1024 x 768       |  |
|  |                           | <b>Configuration</b>                  | RGB stripe       |  |
|  | <b>Backlight</b>          | Edge Lit                              |                  |  |
| <b>Character Display</b>               | 80 x 25                   |                                       |                  |  |
| <b>Total Power Consumption</b>         | 4.2W                      |                                       |                  |  |

|  |                           |                            |                  |  |
|--|---------------------------|----------------------------|------------------|--|
| <b>13.3-Inch Color TFT XGA Display</b> | <b>Dimensions (H x W)</b> | 10.6 x 8 in/26.9 x 20.3 cm |                  |  |
|  | <b>Diagonal Size</b>      | 13.3 in/33.8 cm            |                  |  |
|  | <b>Mounting</b>           | Internal Panel Support     |                  |  |
|  | <b>Number of Colors</b>   | Up to 16.8M                |                  |  |
|  | <b>Contrast Ratio</b>     | 150:1                      |                  |  |
|  | <b>Brightness</b>         | 120nt typ                  |                  |  |
|  | <b>Pixel Resolution</b>   | <b>Pitch</b>               | 0.264 x 0.264 mm |  |
|  |                           | <b>Format</b>              | 1024 x 768       |  |
|  |                           | <b>Configuration</b>       | RGB Stripe       |  |
|  | <b>Backlight</b>          | Edge Lit                   |                  |  |
| <b>Character Display</b>               | 80 x 25                   |                            |                  |  |
| <b>Total Power Consumption</b>         | 4.2W                      |                            |                  |  |

### Technical Specifications

#### Hard Drives

|             |  |                           |              |  |
|-------------|--|---------------------------|--------------|--|
| <b>30GB</b> | <b>Capacity</b>                                      | 30 GB                     |              |  |
|             | <b>Height</b>  | 0.5 in/12.7 cm            |              |  |
|             | <b>Width</b>   | 2.75 in/70 mm             |              |  |
|             | <b>Interface</b>                                     | ATA-5                     |              |  |
|             | <b>Transfer Rate</b>                                 | Synchronous (Maximum)     | 66.6 MB/s    |  |
|             |  | Security                  | ATA Security |  |
|             | <b>Seek Time</b> (typical reads, including settling) | Single Track              | 2.5 ms       |  |
|             |  | Average                   | 12 ms        |  |
|             |  | Maximum                   | 23 ms        |  |
|             | <b>Rotational Speed</b>                              | 4200 rpm                  |              |  |
|             | <b>Logical Blocks</b>                                | 58,605,120                |              |  |
|             | <b>Operating Temperature</b>                         | 41° to 131° F/5° to 55° C |              |  |

|             |  |                            |                                 |  |
|-------------|--|----------------------------|---------------------------------|--|
| <b>20GB</b> | <b>Capacity</b>                                      | 20 GB                      |                                 |  |
|             | <b>Height</b>  | 0.374 in/9.5 mm in/12.5 mm |                                 |  |
|             | <b>Width</b>   | 2.75 in/70 mm              |                                 |  |
|             | <b>Interface</b>                                     | ATA-5                      |                                 |  |
|             | <b>Transfer Rate</b>                                 | Synchronous (Maximum)      | 66.6 MB/s<br>(Drive Capability) |  |
|             |  | Security                   | ATA Security                    |  |
|             | <b>Seek Time</b> (typical reads, including settling) | Single Track               | 2.5 ms                          |  |
|             |  | Average                    | 12 ms                           |  |
|             |  | Maximum                    | 23 ms                           |  |
|             | <b>Rotational Speed</b>                              | 4200 rpm                   |                                 |  |
|             | <b>Logical Blocks</b>                                | ~ 39,070,080               |                                 |  |
|             | <b>Operating Temperature</b>                         | 41° to 131° F/5° to 55° C  |                                 |  |

|             |  |                           |                              |  |
|-------------|--|---------------------------|------------------------------|--|
| <b>12GB</b> | <b>Capacity</b>                                      | 12 GB                     |                              |  |
|             | <b>Height</b>  | 0.5 in/12.7 cm            |                              |  |
|             | <b>Width</b>   | 2.75 in/70 mm             |                              |  |
|             | <b>Interface</b>                                     | ATA-4                     |                              |  |
|             | <b>Transfer Rate</b>                                 | Synchronous (Maximum)     | 66.6 MB/s (Drive Capability) |  |
|             |  | Security                  | ATA Security                 |  |
|             | <b>Seek Time</b> (typical reads, including settling) | Single Track              | 2.5 ms                       |  |
|             |  | Average                   | 12 ms                        |  |
|             |  | Maximum                   | 23 ms                        |  |
|             | <b>Rotational Speed</b>                              | 4200 rpm                  |                              |  |
|             | <b>Logical Blocks</b>                                | 23,579,136                |                              |  |
|             | <b>Operating Temperature</b>                         | 41° to 131° F/5° to 55° C |                              |  |



## Technical Specifications

### Hard Drives *(continued)*

|                              |  |                       |                              |  |
|------------------------------|--|-----------------------|------------------------------|--|
| <b>10GB</b>                  | <b>Capacity</b>                                      | 10 GB                 |                              |  |
|                              | <b>Height</b>  | 0.5 in/12.7 cm        |                              |  |
|                              | <b>Width</b>   | 2.75 in/70 mm         |                              |  |
|                              | <b>Interface</b>                                     | ATA-4                 |                              |  |
|                              | <b>Transfer Rate</b>                                 | Synchronous (Maximum) | 66.6 MB/s (Drive Capability) |  |
|                              |  | Security              | ATA Security                 |  |
|                              | <b>Seek Time</b> (typical reads, including settling) | Single Track          | 3 ms                         |  |
|                              |  | Average               | 12 ms                        |  |
|                              |  | Maximum               | 23 ms                        |  |
|                              | <b>Rotational Speed</b>                              | 4200 rpm              |                              |  |
|                              | <b>Logical Blocks</b>                                | ~ 19,792,896          |                              |  |
| <b>Operating Temperature</b> | 41° to 131° F/5° to 55° C                            |                       |                              |  |

### Diskette Drive

|                           |                           |                          |  |
|---------------------------|---------------------------|--------------------------|--|
| <b>Diskette Size</b>      | 3.5 in                    |                          |  |
| <b>Activity Indicator</b> | On system                 |                          |  |
| <b>Height</b>             | 0.5 in/12.7 mm            |                          |  |
| <b>Bytes per Sector</b>   | 512                       |                          |  |
| <b>Sectors per track</b>  | High density              | 18 (1.44 MB)/15 (1.2 MB) |  |
|                           | Low density               | 9                        |  |
| <b>Tracks per side</b>    | High density              | 80 (1.44 MB)/80 (1.2 MB) |  |
|                           | Low density               | 80                       |  |
| <b>Read/Write heads</b>   | 2                         |                          |  |
| <b>Access Times</b>       | Track-to track (high/low) | 3 ms/6 ms                |  |
|                           | Average (high/low)        | 94 ms/174 ms             |  |
|                           | Settling time             | 15 ms                    |  |
|                           | Latency average           | 100 ms                   |  |

## Technical Specifications

|                                     |   |  |                           |  |
|-------------------------------------|---|--|---------------------------|--|
| <b>External AC Adapter</b>          | <b>Dimensions (H x W x D)</b>                           | 1.15 x 2.375 x 1.4 in/2.92 x 6.03 x 3.6 cm |                           |  |
|                                     | <b>Weight</b>   | 0.66 lb/0.3 kg                             |                           |  |
|                                     | <b>Power Supply (Input)</b>                             | <b>Operating Voltage</b>                   | 90 to 260 VAC RMS         |  |
|                                     |   | <b>Operating Current</b>                   | 1.1 A RMS                 |  |
|                                     |   | <b>Operating Frequency Range</b>           | 47 to 63 Hz AC            |  |
| <b>Maximum Transient</b>            |   | 4/50 kV                                    |                           |  |
| <b>Li-Ion Battery Pack (8-cell)</b> | <b>Dimensions (H x W x D)</b>                           | 4.79 X 4.17 X 0.79 in/121.7 x 106 x 20 mm  |                           |  |
|                                     | <b>Weight</b>   | 0.97 lb/0.44 kg                            |                           |  |
|                                     | <b>Energy</b>   | <b>Voltage</b>                             | 14.8 V                    |  |
|                                     |   | <b>Amp-hour capacity</b>                   | 3.2 Ah                    |  |
|                                     |   | <b>Watt-hour capacity</b>                  | 47.4Wh                    |  |
|                                     | <b>Temperature</b>                                      | <b>Operating</b>                           | 32° to 104° F/0° to 40° C |  |
|                                     |   | <b>Non-operating</b>                       | 32° to 140° F/0° to 60° C |  |
| <b>CD-RW Drive</b>                  | <b>Center Hole Diameter</b>                             | 0.59 in/0.39 cm                            |                           |  |
|                                     | <b>Disk Diameter</b>                                    | 12 cm/8 cm                                 |                           |  |
|                                     | <b>Disk Thickness</b>                                   | 0.047 in/1.2 mm                            |                           |  |
|                                     | <b>Track Pitch</b>                                      | 0.74 µm                                    |                           |  |
|                                     | <b>Access Times (typical reads, including settling)</b> | <b>Random</b>                              | < 150 ms                  |  |
|                                     |   | <b>Full-Stroke</b>                         | < 225 ms                  |  |
|                                     | <b>Audio Output Level</b>                               | <b>Line-out</b>                            | 0.7 Vrms                  |  |
|                                     | <b>Cache Buffer</b>                                     | 128 KB/s (minimum)                         |                           |  |
|                                     | <b>Data Transfer Rate (typical, including settling)</b> | <b>Sustained (16X)</b>                     | 150 KB/s                  |  |
|                                     |   | <b>Sustained 4X CD-RW</b>                  | 5,520 KB/s                |  |
|                                     |   | <b>Normal PIO Mode 4 (single burst)</b>    | 16.6 MB/s                 |  |
|                                     | <b>Start-up Time</b>                                    | < 15 seconds                               |                           |  |
| <b>Stop Time</b>                    | < 6 seconds   |  |                           |  |

## Technical Specifications

|                  |   |  |  |                                |  |
|------------------|---|--|--|--------------------------------|--|
| 8X DVD-ROM Drive | <b>Center Hole Diameter</b>                             | 0.59 in/1.5 cm   |  |                                |  |
|                  | <b>Disc Diameter</b>                                    | 12 cm/8 cm   |  |                                |  |
|                  | <b>Disc Thickness</b>                                   | 1.2 mm   |  |                                |  |
|                  | <b>Track Pitch</b>                                      | 0.74 $\mu$ m   |  |                                |  |
|                  | <b>Access Times</b> (typical reads, including settling) | Random (typical)   | < 180 ms DVD Media                     |                                |  |
|                  |   | Full-Stroke (typical)  | < 300 ms DVD Media                     |                                |  |
|                  |   | Random (typical)   | < 120 ms CD Media                      |                                |  |
|                  |   | Full-Stroke (typical)  | < 200 ms CD Media                      |                                |  |
|                  | <b>Cache Buffer</b>                                     | 128 KB/s (minimum)   |  |                                |  |
|                  | <b>Data Transfer Rate</b> (typical, including settling) | Max 24X CD   | 3600 KB/s (150 KB/s at 1X CD rate)     |                                |  |
|                  |   | Max 8X DVD   | 10,800 KB/s (1352 KB/s at 1X DVD rate) |                                |  |
|                  |   | Normal PIO Mode 4 (single burst)   | 16.6 MB/s                              |                                |  |
|                  | <b>Start-up Time</b>                                    | < 15 seconds   |  |                                |  |
| <b>Stop Time</b> | < 6 seconds   |  |  |                                |  |
| 24X CD-ROM Drive | <b>Applicable Disk</b>                                  | CD-ROM (Mode 1, 2 and 3), CD-XA ready (Mode 2, Form 1 and 2), CD-I ready (Mode 2, Form 1 and 2), CD-R (read only), CD Plus, Photo CD (Single and Multi-session), CD-Extra, Video CD, CD-WO (fixed packets only), CD-Bridge |  |                                |  |
|                  | <b>Center Hole Diameter</b>                             | 0.59 in/1.5 cm   |  |                                |  |
|                  | <b>Disk Diameter</b>                                    | 12 cm, 8 cm  |  |                                |  |
|                  | <b>Disk Thickness</b>                                   | 0.047 in/1.2 mm  |  |                                |  |
|                  | <b>Track Pitch</b>                                      | 1.6 $\mu$ m  |  |                                |  |
|                  | <b>Access Times</b> (typical reads, including settling) | Random   | < 150 ms                               |                                |  |
|                  |   | Full-Stroke  | < 300 ms                               |                                |  |
|                  | <b>Audio Output Level</b>                               | Line-out   | 0.7 Vrms                               |                                |  |
|                  | <b>Cache Buffer</b>                                     | 128 KB   |  |                                |  |
|                  |   | <b>Data Transfer Rate</b> (typical, including settling)  | Sustained (16X)                        | 150 KB/s (sustained 1X)        |  |
|                  |   |  | Variable                               | 1500 to 3600 KB/s (10X to 24X) |  |
|                  |   | Normal PIO Mode 4 (single burst)   | 16.66 MB/s                             |                                |  |
|                  | <b>Start-up Time</b>                                    | < 8 seconds  |  |                                |  |
| <b>Stop Time</b> | < 4 seconds   |  |  |                                |  |

### Technical Specifications

---

**Intel PRO/100+ Mini PCI****Ethernet Features**

10 Mb/s Ethernet: IEEE 802.3 standard 10Base T  
100 Mb/s Ethernet: IEEE 802.3u standard 100Base TX  
Full Duplex at 10 and 100Mb/s  
Auto-Negotiation  
Wake on LAN from all power managed states, including soft off (S5)  
Boot on LAN from OFF  
Lower Power State on Link Loss

---

**Data Link Layers**

IEEE 802.2 LLC  
SNAP

---

**Software support**

Artisoft Lantastic 7.0, 8.0, Dedicated Server 1.1  
Banyan 7.x, 8.5x  
IBM LAN Server Version 1.2, 1.3, 2.0, 4.0  
Microsoft NT 3.51, NT 4.0. Microsoft Windows 2000  
Novell Netware 3.1x, 4.x, 5.x

---

**Protocol support**

TCP/IP  
Novell IPX/SPX and Microsoft compatible  
Novel IPX ODI  
Microsoft NetBEUI  
Sun Microsystems PC-NFS  
Banyan Vines Ethernet  
IBM DLC

---

### Technical Specifications

|  |   |   |
|--|---|---|
| <b>Compaq 56K(V.90) plus Intel PRO/100+ Mini PCI</b> | <b>Form Factor</b>  | Mini-PCI Type 1B per Specification  |
|  | <b>OS Support</b> (with all released Service Packs)                                     | Microsoft Windows 95 (OSR2.x), Microsoft Windows 98 SE (Gold, SE), Microsoft Windows NT4.0, Microsoft Windows 2000, DOS Application Support under Microsoft Windows   |
|  | <b>Power Management Support</b>   | APM Revision 1.2, ACPI, Compaq Power Management Extensions for Microsoft Windows NT   |
|  | <b>Approvals/Certifications</b>   | UL, CSA, NEMKO, CCIB, Industry Canada, FCC Part 68, CTR21, FCC Part 15 Class B, Canadian ICES-003 Class B, C.I.S.P.R.22, Australian ACA, CE Mark, Other Countries   |
|  | <b>Modem Device Driver Name</b>   | Compaq 56K (V.90) Mini PCI  |
|  | <b>Data Mode Capabilities</b>   | V.90 (a-law, mu-law)<br>K56flex (a-law, mu-law)<br>V.8bis<br>V.80<br>V42.bis, MNP5 (Compression)<br>V.42 (LAPM, MNP2-4) (Error Correction)<br>V.34 (file date: 10/96)<br>Optional symbol rates: 2800, 3429<br>Asymmetric Symbol rates<br>Synchronous primary channel data signaling rates: 3600, 31200<br>Automatic rate re-negotiation<br>V.32bis<br>V.32<br>V.23<br>V.22bis<br>V.22<br>V.21<br>Bell 212A<br>Bell 103J |
| <b>Fax Mode Capabilities</b>                         | TIA-578-S (Class 1)<br>T.30, T.4 (Group 3)<br>V.17<br>V.29<br>V.27ter<br>V.21 Channel 2 |   |

### Technical Specifications

---

|  |             |   |
|--|-------------|---|
| Compaq 56K(V.90) plus Intel PRO/100+ Mini PCI <i>(continued)</i> | Command Set | V.250 (Partial)<br>TIA-602<br>Identification: +GMI, +GMM, +GMR<br>Port control: +IPR, +ICF, +IFC, +IIR<br>Modulation: +MS, +MR, +MA<br>Error control: +ES, +ER, +EB, +ESR, +ETBM<br>Data compression: +DS, +DR<br>V.251 |
|--|-------------|---|

---

#### Compaq PCs use genuine Microsoft® Windows®

[www.microsoft.com/piracy/howtotell](http://www.microsoft.com/piracy/howtotell)

©2002 Compaq Information Technologies Group, L.P. All rights reserved. Compaq, the Compaq logo, Armada, Deskpro, ProLiant, and Premier•Sound are trademarks of Compaq Information Technologies Group, L.P. in the U.S. and/or other countries. Windows NT, Windows 98, and Windows 2000 are trademarks of Microsoft Corporation in the U.S. and/or other countries. Pentium, the Intel Inside Logo, and SpeedStep are trademarks of Intel Corporation in the U.S. and/or other countries. BatteryMark is a trademark of Ziff Davis Publishing Holdings Inc., and affiliate of eTesting Labs Inc., in the U.S. and other countries. All other product names mentioned herein may be trademarks of their respective companies.

Compaq shall not be liable for technical or editorial errors or omissions contained herein. The information is provided "as is" without warranty of any kind and is subject to change without notice. The warranties for Compaq products are set forth in the express limited warranty statements accompanying such products. Nothing herein should be construed as constituting an additional warranty.