

EFI Hardware Addresses

Processor-based EFI address format:

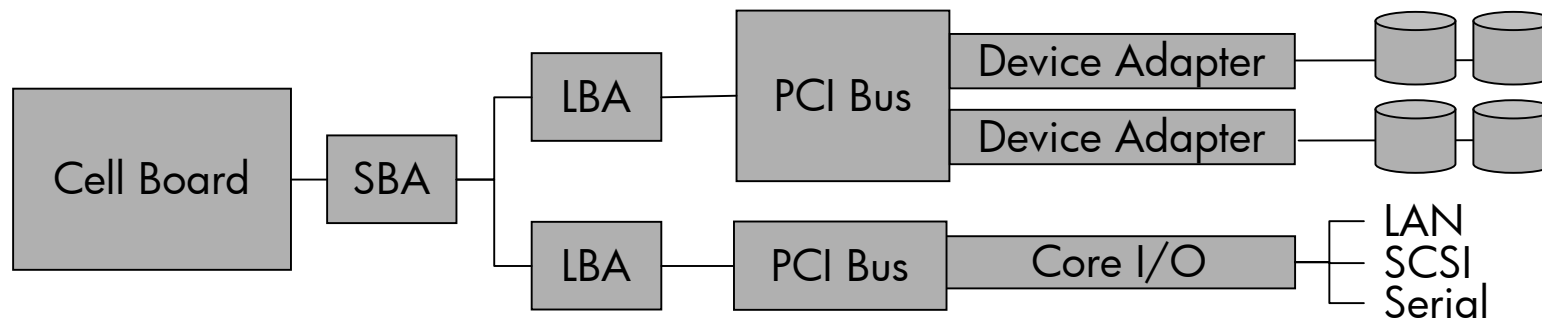
HP-UX Hardware Address: SBA/LBA/device/function.target.LUN (EFI part.#)

EFI Hardware Path: ACPI(*vendor,xxx*) / PCI(*d|f*) / SCSI (PUN*t*,LUN*l*) / HD(Part*p*,*hex*)

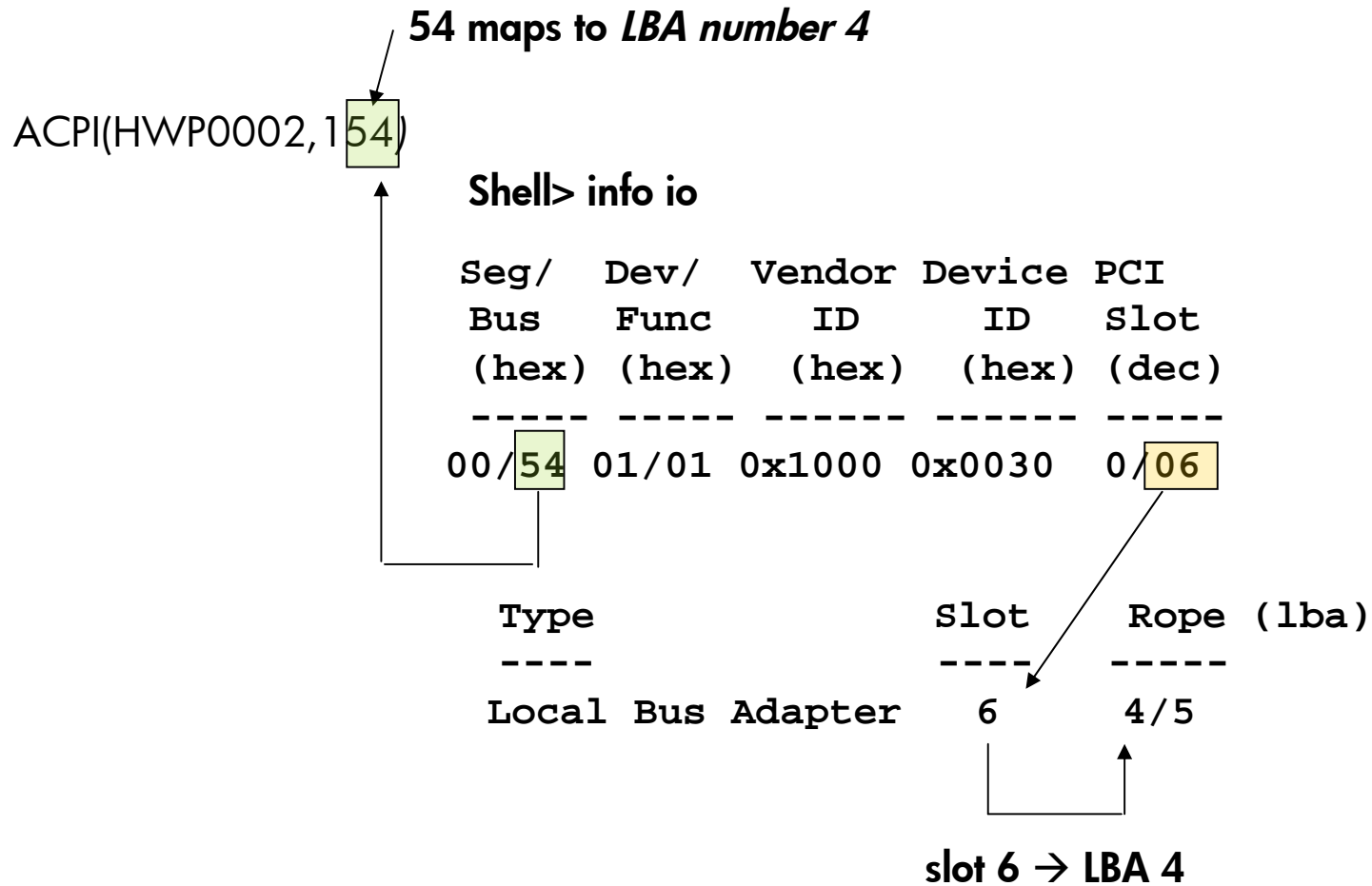
Cell-based EFI address format:

HP-UX Hardware Address: Cell/SBA/LBA/device/function.target.LUN (EFI part.#)

EFI Hardware Address: ACPI(*vendor,cxx*) / PCI(*d|f*) / SCSI (PUN*t*,LUN*l*) / HD(Part*p*,*hex*)



Mapping ACPI to LBA



Viewing EFI Addresses (ioscan)

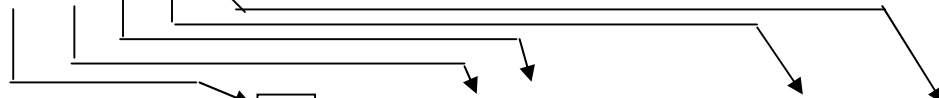
From HP-UX, use the `ioscan -e` command to view HP-UX and ACPI hardware paths

```
# ioscan -eC disk
```

```
H/W Path      Class  Description
```

```
=====
```

```
1/0/4/1/0.8.0  disk  HP 36.4GST336753LC
```



```
Acpi(HWP0002,154)/Pci(1|0)/Scsi(Pun8,Lun0)/HD(Part1,Sig29AEC2B4-4359-11DB-8002-D6217B60E588)/\EFI\HPUX\HPUX.EFI
```

```
1/0/4/1/0.10.0 disk  HP 73.4GST373405LC
```

```
Acpi(HWP0002,154)/Pci(1|0)/Scsi(PunA,Lun0)/HD(Part1,Sig34984F4A-4351-11DB-8002-D6217B60E588)
```