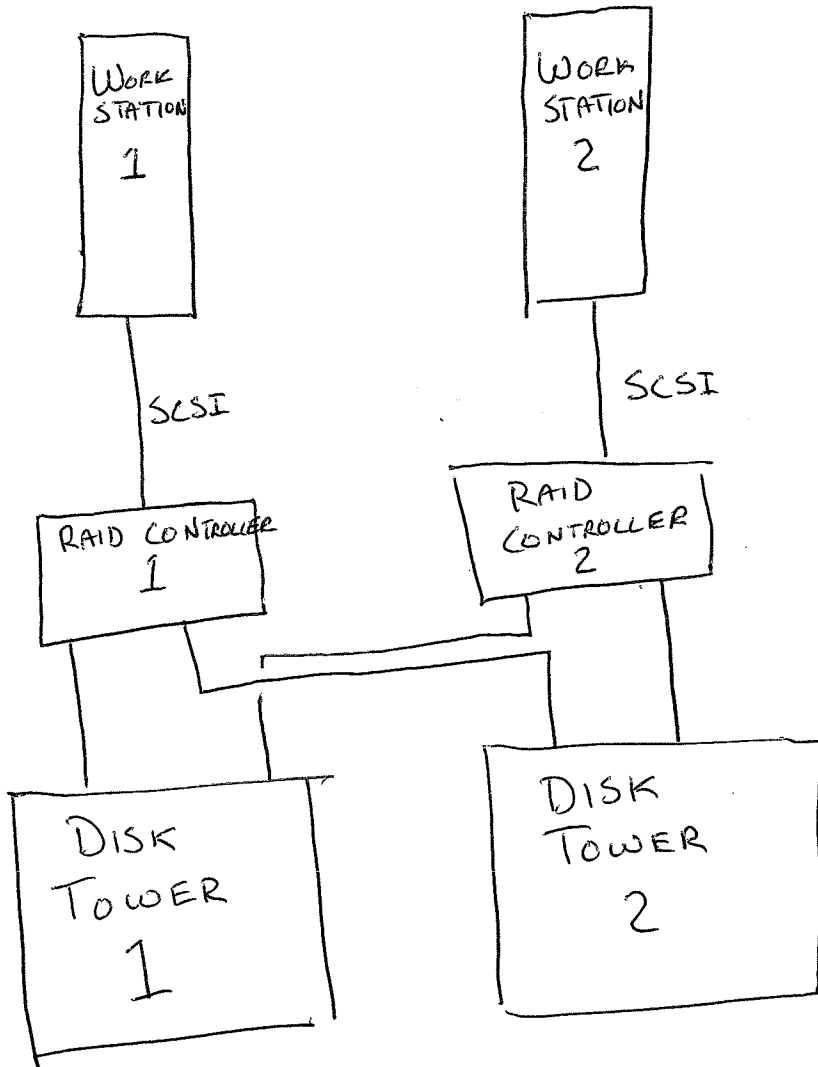


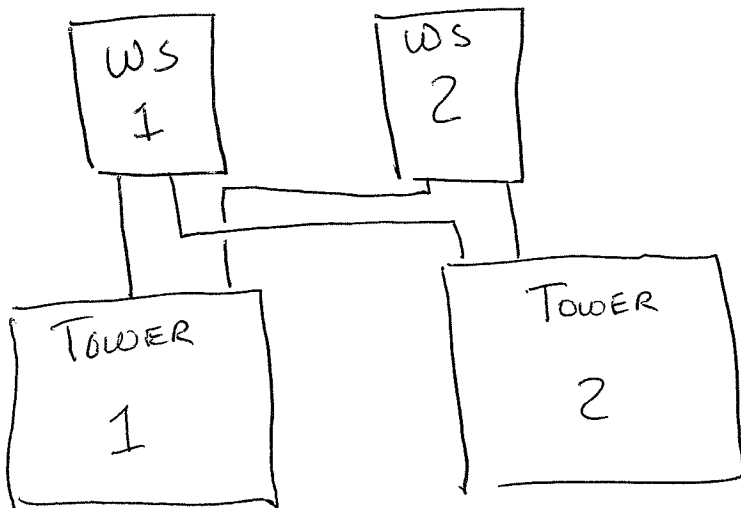
EXISTING CONFIGURATION



- WE WANT TO REPLACE THE EXTERNAL RAID CONTROLLERS WITH INTERNAL RAID CONTROLLERS

- DISKS IN TOWER 1 NEED TO BE MIRRORED WITH DISKS IN TOWER 2

PROPOSED SOLUTION



- WE ARE OPEN TO OTHER SUGGESTIONS BUT NEED TO REVIEW, ETC.