

# External Storage XP deployments

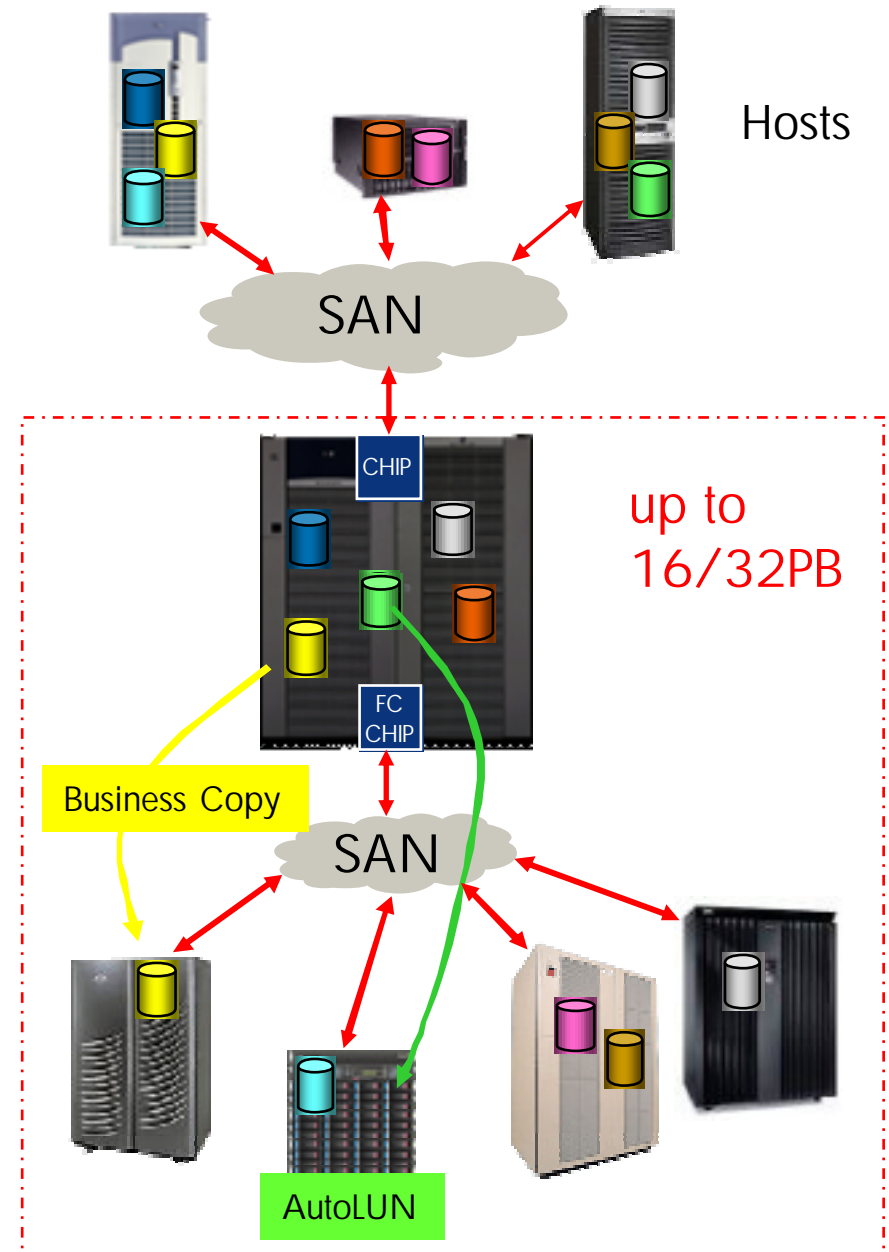
Peter Mattei



# External Storage XP

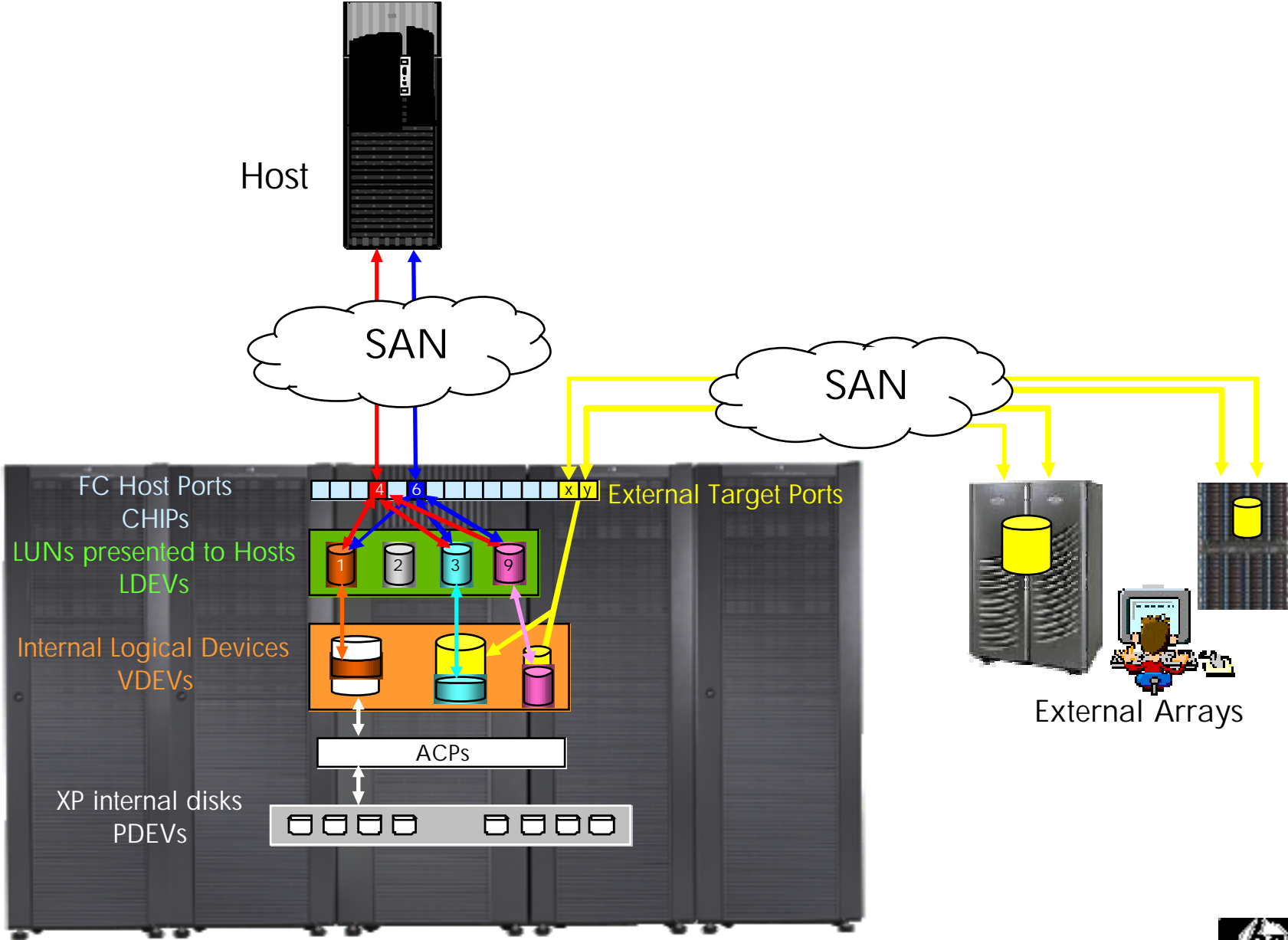
What can it do

- Reduces costs by using less expensive external storage
- Tiered storage: Up to 16PB of storage can be handled and presented by a single XP10000
- Tiered storage: Up to 32PB of storage can be handled and presented by a single XP12000
- Variety of supported external arrays
- All LUNs are presented as XP LUNs and can transparently be copied and moved between tiers
- Direct Fibre Channel or SAN connection between XP Next Gen and external storage devices
- Supports Continuous Access, Business Copy, AutoLUN



# External Storage XP

How it works

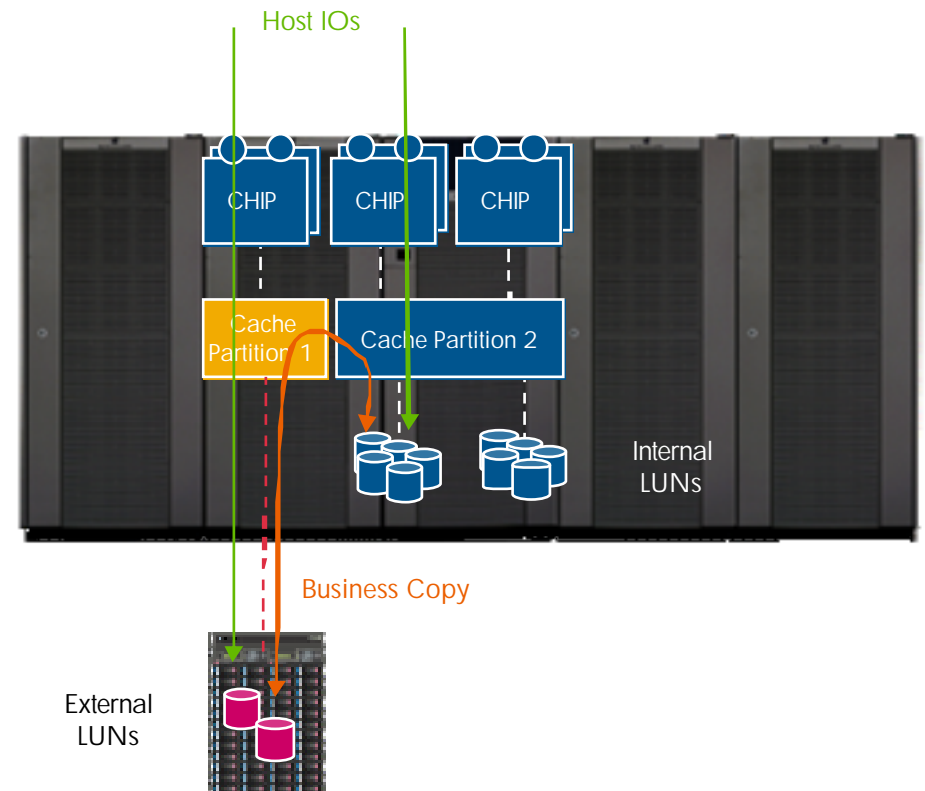


# External Storage and Cache partitioning

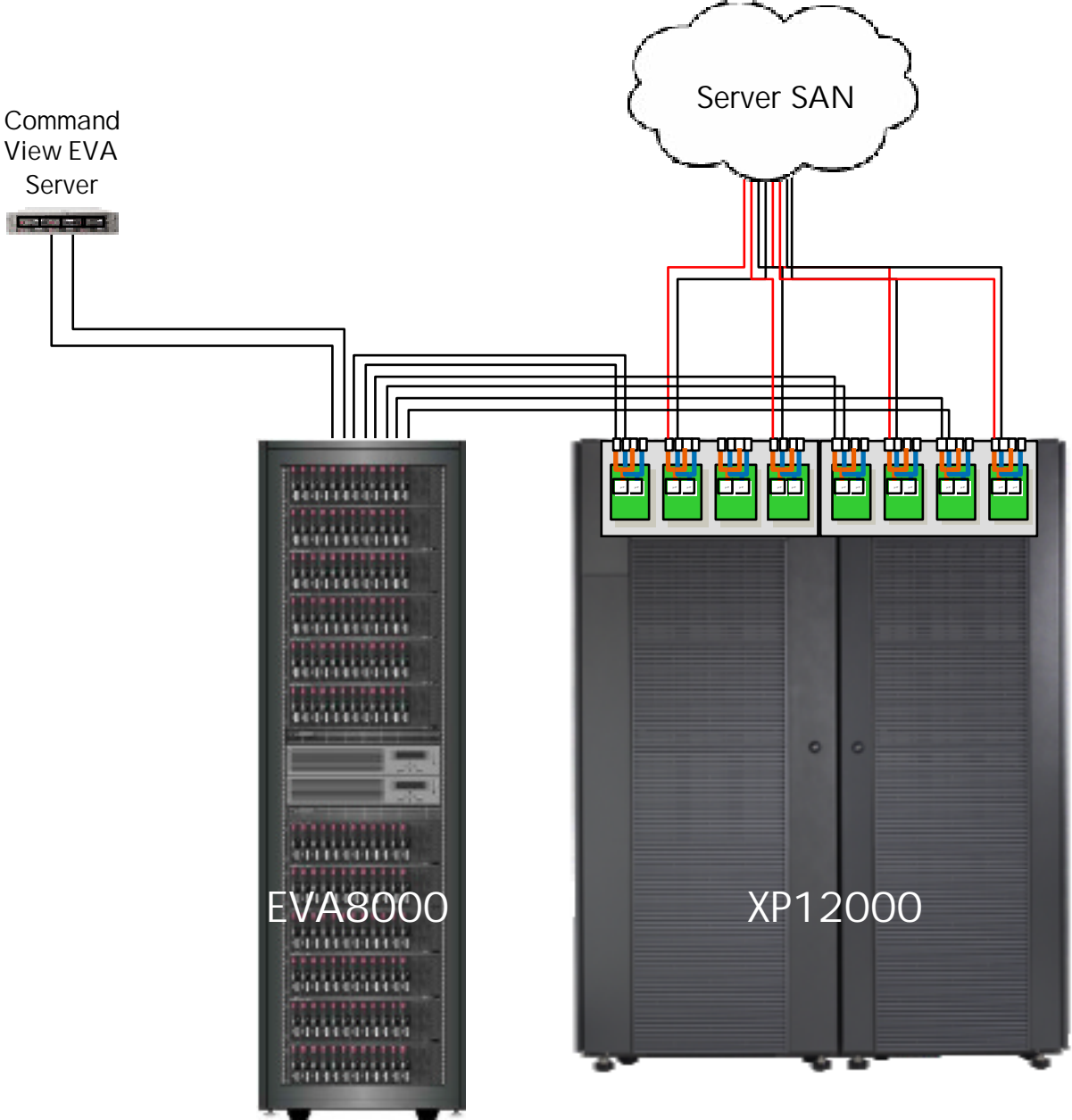
Starting with Firmware release 50-07-30-00/00 all External Storage customers receive a free 4 partition license for their External Storage Capacity.

This will allow dedicating cache for internal and external LDEVs/LUNs and minimize performance interaction.

Also enable new System Mode 497. This will prevent cache overflow in case of External Storage inaccessibility and avoid performance impact to internal array groups.



# External Storage XP with directly connected EVA8000



# External Storage XP with a backend SAN

