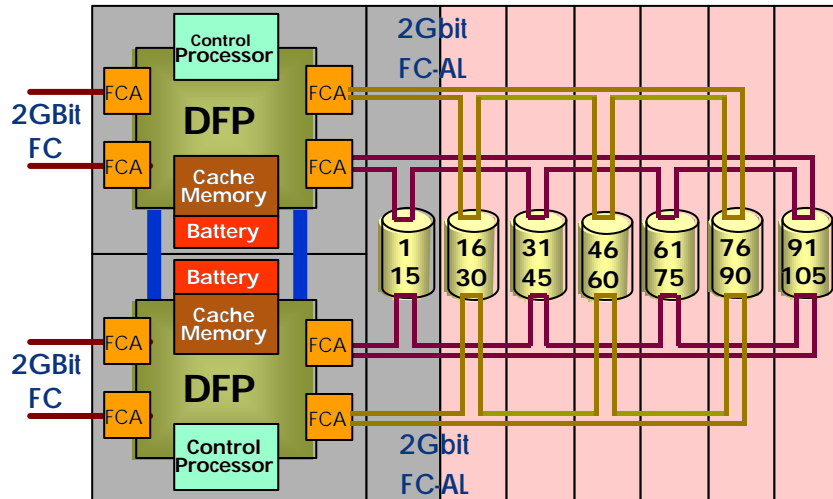


virtual array 7410 hardware architecture



disk choices:
 18 GB 15krpm
 36 GB 10krpm
 36 GB 15krpm
 73 GB 10krpm

•connectivity

- 4x Fibre channel (200MB/sec)

•fault tolerant/data protection

- RAID 0/1, RAID 5 DP = RAID 6
- dual path FC drives
- mirrored, ECC cache
- end to end data protection
- hot plug/hot swap

• scaleability

- up to 105 disk (18, 36, 73GB)
- Up to 7.7TB
- up to 2GB cache
- up to 1024 LUNs

•performance

- active/active concurrent access
- high speed bus (800MB/sec)
- 34'000 IOPs from cache
- 11'000 IOPs from backend
- high speed disks 10-15K RPM
- 330MB/s total throughput

VA7410



Controller
Enclosure

1 - 6
Disk
Enclosures

