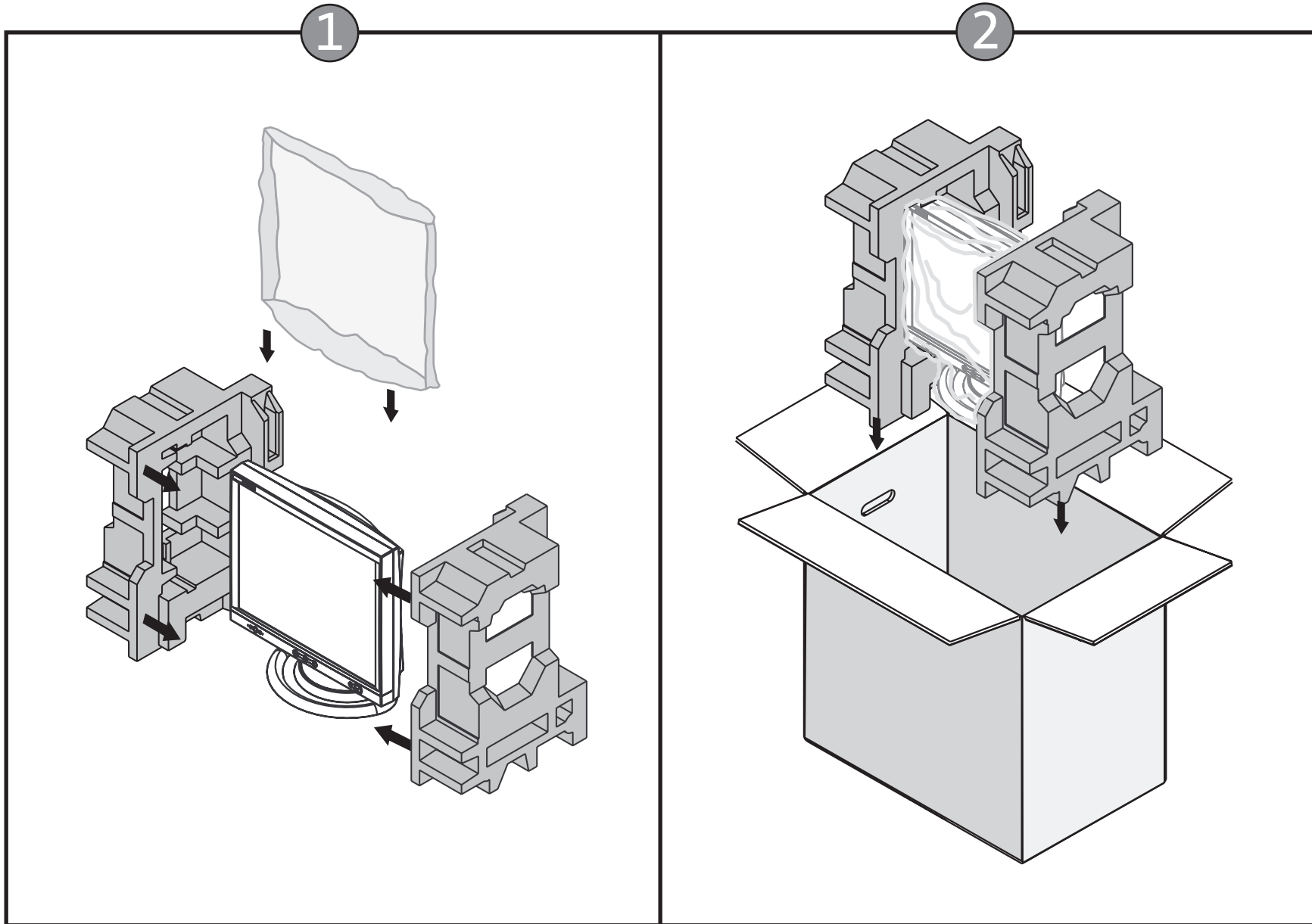


TFT



282432-001

©2002 Compaq Information Technologies Group, L.P. COMPAQ, the Compaq logo, registered in U.S. Patent and Trademark Office. All other product names mentioned herein may be trademarks of their respective companies. Nothing herein should be construed as constituting an additional warranty. First Edition March 2002.