



2-Port Server Console Switch Rack Option Kit

Installation Card

Open Card Completely Before Beginning Installation Procedures



Printed on recycled paper

NOTICE

The information in this publication is subject to change without notice.

COMPAQ COMPUTER CORPORATION SHALL NOT BE LIABLE FOR TECHNICAL OR EDITORIAL ERRORS OR OMISSIONS CONTAINED HEREIN, NOR FOR INCIDENTAL OR CONSEQUENTIAL DAMAGES RESULTING FROM THE FURNISHING, PERFORMANCE, OR USE OF THIS MATERIAL. THIS INFORMATION IS PROVIDED "AS IS" AND COMPAQ COMPUTER CORPORATION DISCLAIMS ANY WARRANTIES, EXPRESS, IMPLIED OR STATUTORY AND EXPRESSLY DISCLAIMS THE IMPLIED WARRANTIES OF MERCHANTABILITY, FITNESS FOR PARTICULAR PURPOSE, GOOD TITLE AND AGAINST INFRINGEMENT.

This publication contains information protected by copyright. No part of this publication may be photocopied or reproduced in any form without prior written consent from Compaq Computer Corporation.

© 1999 Compaq Computer Corporation
All rights reserved. Printed in the U.S.A.

Compaq, Registered U.S. Patent and Trademark Office.

2-Port Server Console Switch Rack Option Kit

First Edition (June 1999)
Part Number 141552-021

Compaq Computer Corporation



141552-021

About This Device

The 2-Port switch box lets you control more than one computer using a single keyboard, monitor, and mouse.

The 2-Port switch box occupies 0U of Compaq rack space and can be used with all Compaq Rack Series products.

Kit Contents

- Main switch unit
- Power cord
- Side mount rails
- Compaq Rack Products Documentation CD (contains the *Compaq Server Console Switch User Guide*)
- Serial cable
- Interconnect cables for keyboard, mouse, and monitor

Additional Equipment

You will also need a keyboard, a monitor, and a mouse.

Rack Considerations

Before beginning these procedures, make sure you understand and adhere to the following precautions.



WARNING: To reduce the risk of personal injury or damage to the equipment, be sure that:

- The leveling jacks are extended to the floor.
- The full weight of the rack rests on the leveling jacks.
- The stabilizing feet are attached to the rack, if it is a single-rack installation.
- The racks are coupled in multiple-rack installations.
- Only one component is extended at a time. (A rack may become unstable if more than one component is extended for any reason.)
- Weight of any component used on the shelf does not exceed 150 pounds.



WARNING: To reduce the risk of electric shock or damage to your equipment:

- Do not disable the power cord grounding plug. The grounding plug is an important safety feature.
- Plug the power cord into a grounded (earthed) outlet that is easily accessible at all times.
- Disconnect the power from the unit by unplugging the power cord from either the electrical outlet or the unit.

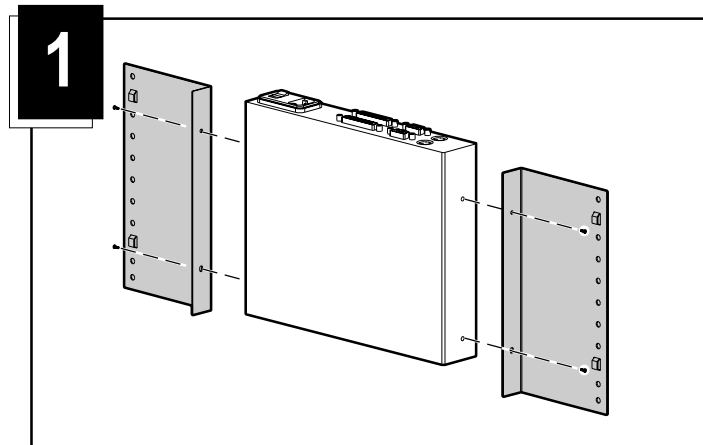


WARNING: To reduce the risk of personal injury or damage to the equipment, refer to the *Compaq Server Console Switch User Guide* on the Rack Products Documentation CD that was supplied with this product. Review all safety precautions prior to performing the installation of this product.

IMPORTANT: The rating label on the device shows which class (A or B) the equipment falls into. Class B devices have a FCC logo or FCC ID on the label. Class A devices do not have a FCC ID or logo on the label. Once the class of the device is determined, refer to the corresponding statement in Appendix A of the *Compaq Server Console Switch User Guide*, located on the Rack Products Documentation CD.

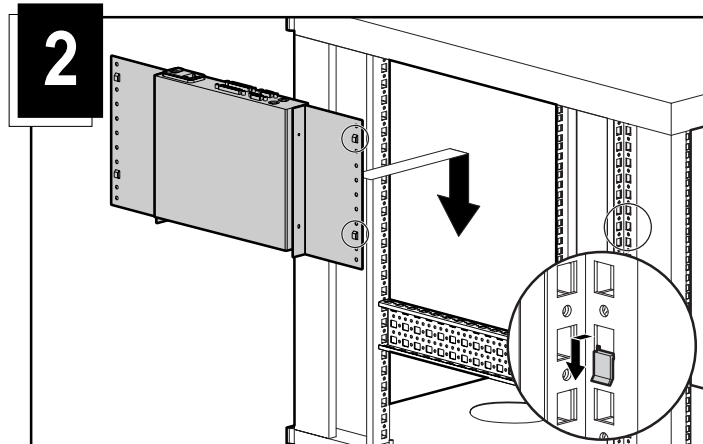
Step 1

Attach the side mount rails to your 2-Port switch box.



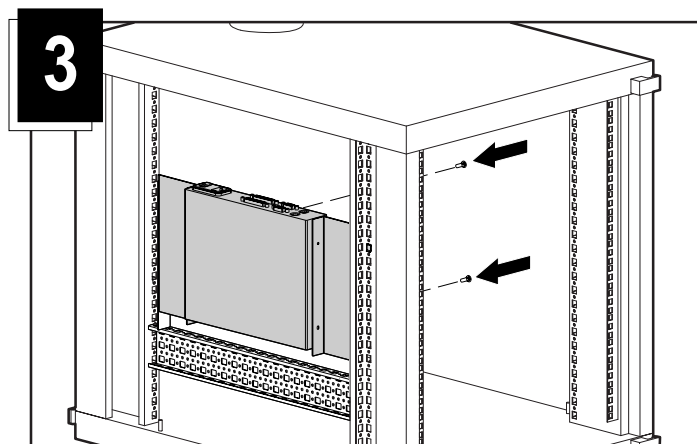
Step 2

Slide the tabs on the rails into the same U location on each side of the rack.



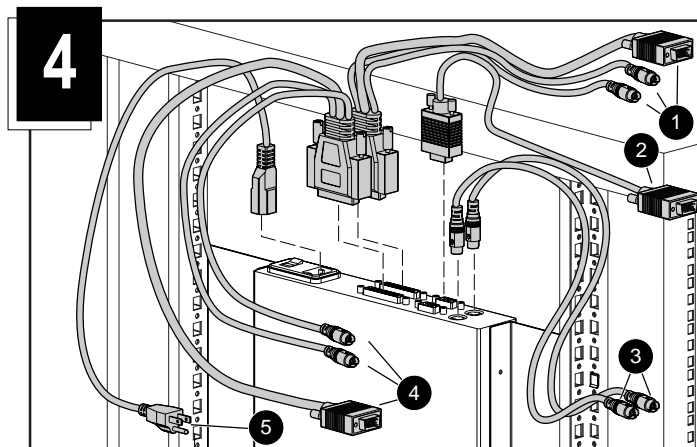
Step 3

Use a screw on each side to secure the side-mounted unit to the rack.



Step 4

Connect the 2-Port KVM cable.



- ❶ Keyboard, monitor, mouse connectors to computer 1.
- ❷ Monitor connector to switch box console.
- ❸ Keyboard and mouse connectors to the switch.
- ❹ Keyboard, monitor, mouse connectors to computer 2.
- ❺ Power cord

This completes the installation. See the *Compaq Server Console Switch User Guide* for information on configuration and operation.