

---



## NOTICE

The information in this guide is subject to change without notice.

COMPAQ COMPUTER CORPORATION SHALL NOT BE LIABLE FOR TECHNICAL OR EDITORIAL ERRORS OR OMISSIONS CONTAINED HEREIN; NOR FOR INCIDENTAL OR CONSEQUENTIAL DAMAGES RESULTING FROM THE FURNISHING, PERFORMANCE, OR USE OF THIS MATERIAL.

This guide contains information protected by copyright. No part of this guide may be photocopied or reproduced in any form without prior written consent from Compaq Computer Corporation.

© 1995 Compaq Computer Corporation.  
All rights reserved. Printed in the U.S.A.

Compaq, Systempro, Deskpro, Compaq Insight Manager,  
Registered U.S. Patent and Trademark Office.

ProSignia, Systempro/XL, ProLiant, NetFlex, ROMPaq, and QVision are trademarks of  
Compaq Computer Corporation.

The software described in this guide is furnished under a license agreement or nondisclosure agreement. The software may be used or copied only in accordance with the terms of the agreement.

Product names mentioned herein may be trademarks and/or registered trademarks of their respective companies.

### ***MAINTENANCE AND SERVICE GUIDE*** **Compaq ProLiant 1500 Servers**

First Edition (January 1995)  
Text Number 169066-001

---



## PREFACE

This *Maintenance and Service Guide* is a troubleshooting guide that can be used for reference when servicing the Compaq ProLiant 1500 Family of Servers.

Compaq Computer Corporation reserves the right to make changes to Compaq ProLiant Servers without notice.

### Symbols

The following text and symbols mark special messages throughout this guide:



---

**WARNING:** Text set off in this manner indicates that failure to follow directions in the warning could result in bodily harm or loss of life.

---



---

**CAUTION:** Text set off in this manner indicates that failure to follow directions could result in damage to equipment or loss of data.

---

**IMPORTANT:** Text set off in this manner presents clarifying information or specific instructions.

**NOTE:** Text set off in this manner presents commentary, sidelights, or interesting points of information.

### Technician Notes



---

**WARNING:** Only authorized technicians trained by Compaq should attempt to repair this equipment. All troubleshooting and repair procedures are detailed to allow only subassembly/module level repair. Because of the complexity of the individual boards and subassemblies, no one should attempt to make repairs at the component level or to make modifications to any printed wiring board. Improper repairs can create a safety hazard. Any indications of component replacement or printed wiring board modifications may void any warranty.

---



---

**CAUTION:** To properly ventilate your system, you must provide at least 12 inches (30.48 cm) of clearance at the front and back of the computer.

---



---

**CAUTION:** The computer is designed to be electrically grounded. To ensure proper operation, plug the AC power cord into a properly grounded AC outlet only.

---

### **Locating Additional Information**

The following documentation is available to support these products:

- User Documentation
- *Compaq Service Quick Reference Guide*
- Service Training Guides
- *Compaq Service Advisories and Bulletins*
- *Compaq QuickFind*
- Compaq Insight Manager 2.0

## CONTENTS

### Chapter 1

#### **ILLUSTRATED PARTS CATALOG**

Compaq ProLiant 1500 Server	1-1
Exploded View of the Compaq ProLiant 1500 Mechanical Parts	1-1
Exploded View of the Compaq ProLiant 1500 System Components	1-2
Spares Parts List	1-3

### Chapter 2

#### **REMOVAL AND REPLACEMENT PROCEDURES**

Electrostatic Discharge Information	2-1
Preparation Procedures	2-2
Power Supply Safety Interlock	2-2
Removal and Replacement Procedures	2-3
Front Bezel Door/Side Access Panel	2-3
System Unit Cover Removal	2-4
Mass Storage Devices	2-5
Removable Media Storage Devices	2-5
Cable Diagram for Diskette Drive	2-6
Cable Diagram for Internal Fast-Wide SCSI-2 Device	2-7
Cable Diagram for Internal Fast-SCSI-2 Device	2-7
Front Access Hot-Pluggable Drive Bays	2-8
Boards	2-9
Processor Board	2-9
Memory	2-9
System Board	2-11
Option Boards	2-12
Backplane Board	2-13
Power Supply	2-14
Miscellaneous Parts	2-15
Rear Fan	2-15
Lower Front Blower	2-16
Drive Cage Fan with Plenum	2-16
Thermal Sensor	2-17
Battery/Clock Module	2-18

*Chapter 3***DIAGNOSTIC TOOLS**

Utility Access	3-1
Power-On Self-Test (POST)	3-2
POST Error Messages	3-3
Diagnostics (DIAGS)	3-13
Diagnostic Error Codes	3-13
Drive Array Advanced Diagnostics (DAAD)	3-24
Starting DAAD	3-24
DAAD Diagnostic Messages	3-25
Rapid Recovery Services	3-33
Automatic Server Recovery-2	3-33
Configuring the Server for Automatic Server Recovery-2 (ASR-2)	3-35
Server Health Logs	3-37
System Configuration History Files	3-39
ROMPaq	3-39

*Chapter 4***SWITCH AND JUMPER INFORMATION**

System Board	4-1
System Maintenance Switch Settings SW1	4-2
SCSI Devices	4-2
Compaq NetFlex-2 Controller	4-4

*Chapter 5***PHYSICAL AND OPERATING SPECIFICATIONS**

System Unit Specifications	5-2
Power Supply Specifications	5-3
Redundant Power Supply Specifications	5-4
SIMM Specifications	5-5
Internal Diskette Drives	5-5
CD-ROM Specifications	5-6
SMART SCSI Array Controller	5-7
550-Megabyte Pluggable Fast-SCSI-2 Drive Specifications	5-7
1.05-Gigabyte Pluggable Fast-SCSI-2 Drive Specifications	5-7

**PHYSICAL AND OPERATING SPECIFICATIONS** *Continued...*

2.1-Gigabyte Pluggable Drive Specifications	5-8
4.3-Gigabyte Pluggable Drive Specifications	5-8
Compaq Integrated Fast-Wide SCSI-2 Controller	5-8
Compaq 32-Bit Fast-Wide SCSI-2 Controller	5-9
Compaq Integrated Fast-SCSI-2 Controller	5-9
Compaq 32-Bit Fast-SCSI-2 Controller	5-9
Compaq NetFlex-2 ENET-TR Controller	5-10

# ILLUSTRATED PARTS CATALOG

This chapter provides the illustrated parts breakdown and a spares parts list for the family of Compaq ProLiant 1500 Servers.

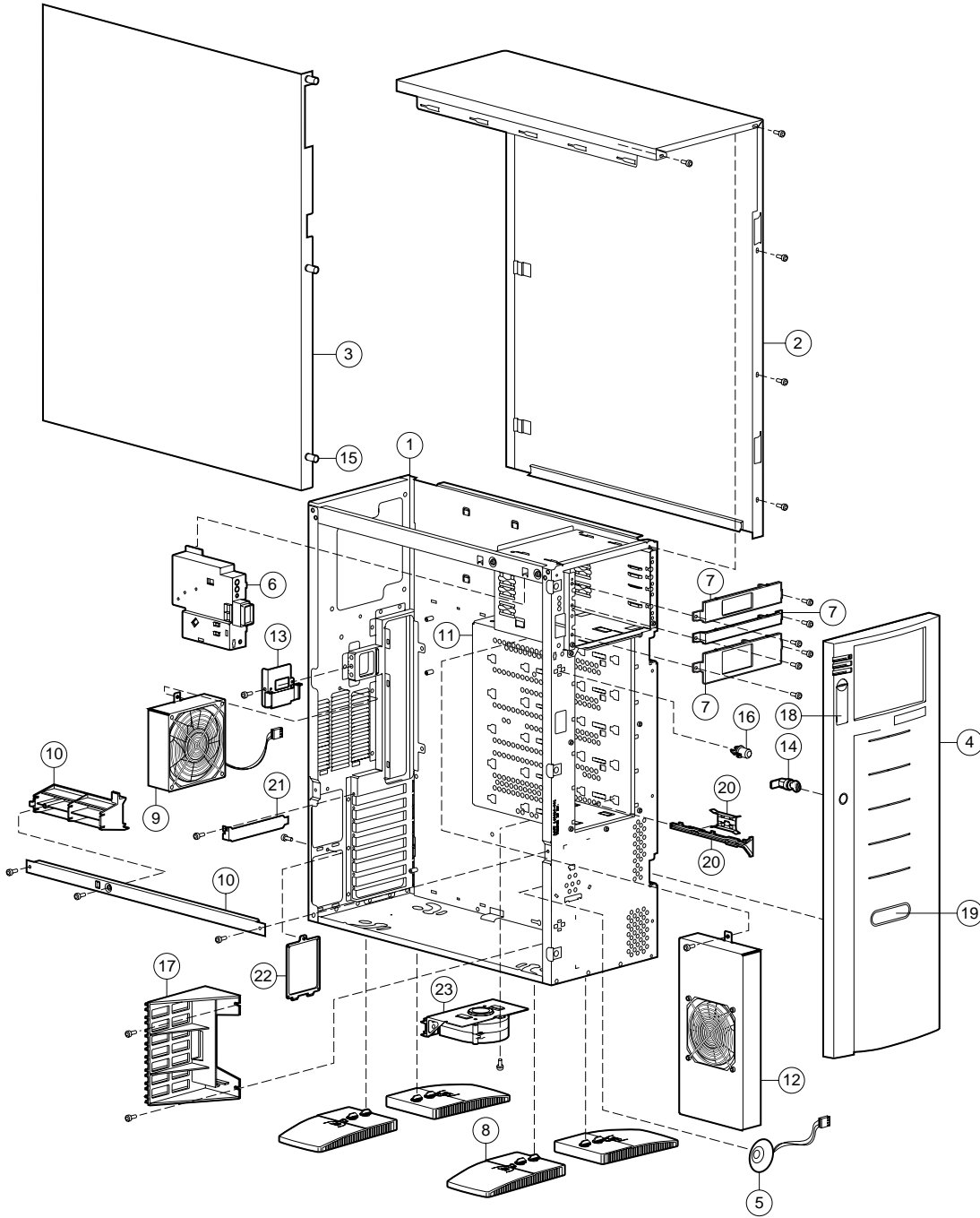


Figure 1-1. Exploded View of the Compaq ProLiant 1500 Mechanical Parts



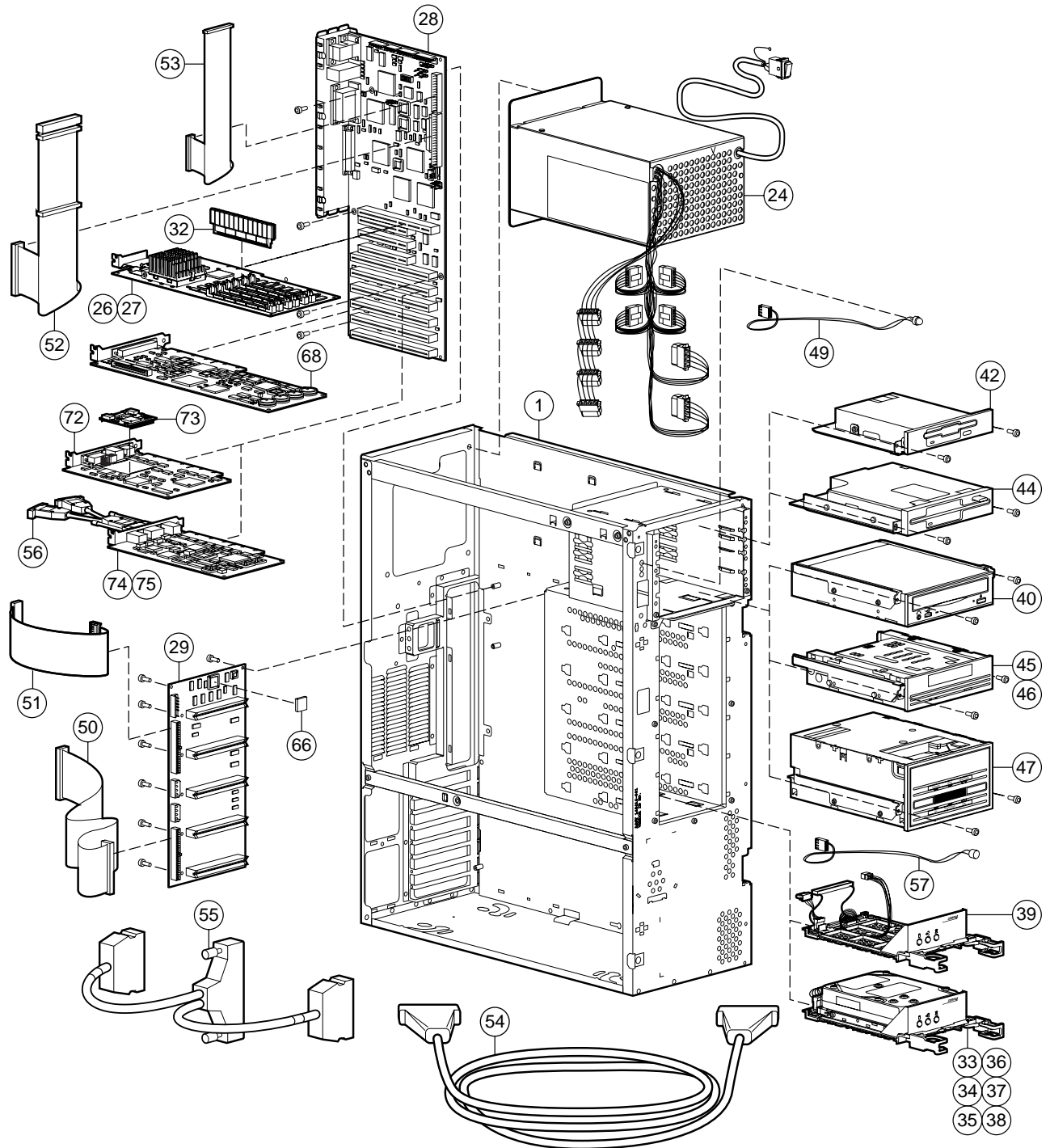


Figure 1-2. Exploded View of the Compaq ProLiant 1500 System Components

**Table 1-1  
Spares Parts List - Compaq ProLiant 1500**

<b>Ref.</b>	<b>Description</b>	<b>Part Number</b>
<b>CHASSIS</b>		
1	Chassis	148587-001
2	Hood	148593-001
3	Side Access Panel	148592-001
4	Front Bezel Door	148586-001
5	Speaker	148590-001
6	Power Supply/Inter-lock Switch	148583-001
7	Bezel Kit (1/2, 1/3, 1/6 Height - Qty 5 each)	115286-201
8	Foot	148580-001
9	System Fan	148581-001
10	Chassis Brace with Card Holder	148591-001
11	Drive Cage (5 Bay, Wide SCSI, Upgrade Option)	169058-001
12	Drive Cage Fan with Plenum	148595-001
13	Modem Bracket	148723-001
14	Key-Lock Assembly	148725-001
15	Thumb Screw Assembly (Qty 3)	148594-001
16	Front Bezel Guides (Qty 5)	148724-001
17	Board Guide	169149-001
18	Bezel Switch Cover	148745-001
19	Logo Kit (Qty 2)	169129-001
20	Drive Guide and Ground Spring (Qty 5 each)	146771-001
21	Option Slot Cover (Qty 5)	141081-001
22	Option Plate	190170-001
23	Blower, Processor	148588-001
<b>SYSTEM COMPONENTS</b>		
24	Power Supply 325W with Mounting Bracket	169052-001
25	Redundant Power Supply - 488W (Option)	163828-001*
<b>PROCESSORS/MEMORY/BOARDS</b>		
26	P5/75 Processor Board	169092-001
27	P5/100 Processor Board	169093-001
28	System I/O Board, PCI	169163-001
29	Hot-Pluggable Drive Backplane Board	169054-001
30	Memory Expansion Board	139947-001*
31	ROM Controller - IDA2	143107-001*
32	4-MB SIMM (60ns)	139139-001
32	8-MB SIMM (60ns)	139140-001
32	16-MB SIMM (60ns)	139141-001
32	32-MB SIMM (60ns)	139142-001
32	4-MB SIMM (70ns)	141754-001
32	8-MB SIMM (70ns)	141755-001
32	16-MB SIMM (70ns)	149947-001
32	32-MB SIMM (70ns)	149948-001

Continued

**Spares Parts List Compaq ProLiant 1500** *Continued*

<b>Ref.</b>	<b>Description</b>	<b>Part Number</b>
<b>MASS STORAGE</b>		
33	2.01-GB Pluggable Fast-Wide SCSI-2 Drive	199644-001
34	4.3-GB Pluggable Fast-Wide SCSI-2 Drive	199599-001
35	550-MB Pluggable Fast-SCSI-2 Drive	146799-001
36	1.05-GB Pluggable Fast-SCSI-2 Drive	146717-001
37	2.01-GB Pluggable Fast-SCSI-2 Drive	199428-001
38	4.3-GB Pluggable Fast-SCSI-2 Drive	199585-001
39	Hot-Pluggable Tray Adapter (Universal)	146781-001
40	Tray Load CD-ROM Drive	142223-201
41	Caddy Load CD-ROM Drive	133881-001*
42	1.44 MB, 3.5" Floppy Drive (Standard)	144207-201
43	1.44 MB, 3.5" Floppy Drive (Option)	112565-001*
44	1.2 MB, 5.25" Floppy Drive	112566-001
45	5.0-GB DAT Drive	142074-001
46	TurboDAT Drive	199464-001
47	TurboDAT Autoloader	199466-001
48	525-MB ACA Tape Drive	142073-001*
<b>CABLE KITS</b>		
49	LED Cables	148585-001
50	Internal Fast-Wide SCSI HDD Cable	189637-003**
51	Internal SCSI HDD Cable	148589-001**
52	Internal SCSI Cable (2 Device)	148728-001**
53	Diskette Drive Cable	190746-001**
54	External SCSI Signal Cable 6'	146776-001
55	External 100-Pin to 50-Pin Cable	142159-001
56	2 Channel EtherNet "Y" Cable	197134-001
57	Thermistor Cable Assembly	169099-001
<b>KEYBOARDS</b>		
58	Keyboard, U.S. English	160648-101*
58	Keyboard, U.K. English	160648-103*
58	Keyboard, German	160648-104*
58	Keyboard, French	160648-105*
58	Keyboard, Italian	160648-106*
58	Keyboard, Spanish	160648-107*
58	Keyboard, Danish	160648-108*
58	Keyboard, Norwegian	160648-109*
58	Keyboard, Swedish/Finnish	160648-110*
58	Keyboard, Swiss	160648-111*
58	Keyboard, French Canadian	160648-112*
58	Keyboard, Portuguese	160648-113*
58	Keyboard, Turkish	160648-114*
58	Keyboard, Greek	160648-115*
58	Keyboard, Latin American	160648-116*
58	Keyboard, Arabic	160648-117*
58	Keyboard, Belgian	160648-118*

\* Not Shown

\*\* Cables shown in chapter 2 of this guide

*Continued*

**Spares Parts List - Compaq ProLiant 1500** *Continued*

<b>Ref.</b>	<b>Description</b>	<b>Part Number</b>
<b>MISCELLANEOUS</b>		
59	Maintenance and Service Guide	169146-001*
60	System ROMpaq	143198-001*
61	Option ROMpaq	142207-001*
62	Battery	160274-001*
63	Shipping Box	148577-001*
64	Shipping Buns and Plastic Bag	148726-001*
65	Power Supply Maintenance Key (Qty 5)	148757-001*
66	Drive Backplane ROM	146705-001
67	Redundant Power Supply I/O Cable	187369-002*
<b>OPTIONS</b>		
68	SMART Controller	142130-001
69	Fast-SCSI-2 Controller	142040-001*
70	Fast-Wide SCSI-2 Controller/ EISA	199634-001*
71	Fast-Wide SCSI-2 Controller/ PCI	199633-001*
72	NetFlex-2 ENET-TR Controller	142222-001
73	Token Ring Module	142042-001
74	NetFlex-2 DualPort ENET Controller	142151-001
75	NetFlex-2 DualPort TR Controller	142195-001
76	2400 Baud LTE Modem (Eng)	121308-002*
77	2400 Baud LTE Modem (DAA)	127831-001*
78	LTE Modem Engine	141958-001*
79	LTE DAA (US&C)	141959-001*
80	LTE DAA (UK)	141960-001*
81	LTE DAA (GER)	141961-001*
* Not Shown		

## DIAGNOSTIC TOOLS

This chapter describes software and firmware diagnostic tools available for the Compaq Server products. These include:

- Power-On Self-Test (POST)
- Diagnostics (DIAGS)
- Drive Array Advanced Diagnostics (DAAD)
- Automatic Server Recovery-2
- ROMPaq utilities to upgrade flash ROMs

## UTILITY ACCESS

The SmartStart Installation Program CD contains the SmartStart program and many of the Compaq utilities needed to maintain your system, including:

- System Configuration Utility
- Drive Array Advanced Diagnostics Utility
- ROMPaq Firmware Upgrade Utilities

**NOTE:** The Diagnostics Utility is shipped on a separate diskette.



**CAUTION:** Do not select the "Automatic Configuration" when running the SmartStart Installation Program CD. This will result in data loss to the entire system.

---

There are several ways to access these utilities:

1. Run the Utilities on the System Partition.

If the system was installed using the SmartStart utility, the Compaq utilities will automatically be available on the system partition. The system partition could also have been created during a manual system installation.

To run the utilities on the system partition, boot the system and press **F10** when the cursor moves to the upper right corner of the screen. (If the cursor does not move to the upper right corner of the screen, the system partition does not exist.) Then select the utilities from the menu as described below. The ROMPaq Firmware Upgrade Utility is available under the "Diagnostics and Utilities" menu.

## 2. Run the Utilities on the System Diskette.

The utilities can also be run from their individual diskettes. If you have a utility diskette newer than the version on the SmartStart CD, use that diskette. You may also create a diskette version of the utility from the SmartStart CD. To create diskette versions of the utilities from the CD:

- Boot the SmartStart CD.
- Select the "Manual Configuration and Server Utilities" button.
- Select the "Create Diskettes from CD" menu item.
- Select the diskette you would like to create from the list and follow the instructions on the screen to create the diskette.

## 3. Boot the SmartStart CD.

- Select the "Manual Configuration and Server Utilities" button.
- Select the utility wanted from the menu.
- The System Configuration Utility is available under the "System Configuration" menu item.
- The Drive Array Diagnostics Utility is available under the "Diagnostics and Utilities" menu.
- The ROMPaq Firmware Upgrade Utilities can be run only from the System Partition or from the ROMPaq diskette. See steps 1 and 2.

## **POWER-ON SELF-TEST (POST)**

POST is a series of diagnostic tests that run automatically on Compaq computers when the system is turned on. POST checks the following assemblies to ensure that the computer system is functioning properly:

- Keyboard
- Power supply
- System board
- Memory
- Memory expansion boards
- Controllers
- Diskette drives
- Hard drives

If POST finds an error in the system, an error condition is indicated by an audible and/or visual message. If an error code is displayed on the screen during POST or after resetting the system, follow the instructions in Table 3-1. The error messages and codes listed in Table 3-1 include all codes generated by Compaq products. Your system will generate only those codes that are applicable to your configuration and options.

**Table 3-1**  
**POST Error Messages**

<b>Error Code</b>	<b>Beeps</b>	<b>Probable Source of Problem</b>	<b>Action</b>
A Critical Error occurred prior to this power-up	None	A catastrophic system error, which caused the server to crash, has been logged.	Run Diagnostics. Replace failed assembly as indicated.
101-ROM Error	1L,1S	System ROM checksum	Run Diagnostics. Replace failed assembly as indicated or contact your service provider.
101-I/O ROM Error	None	Options ROM checksum	Run Diagnostics. Replace failed assembly as indicated or contact your service provider.
102-System Board Failure	None	DMA, timers, etc.	Replace the system board. Run the Compaq System Configuration Utility.
104-ASR Timer Failure	None	System board failure	Run Diagnostics.
162-System Options Not Set	2S	Configuration incorrect	Run the System Configuration Utility and correct.
163-Time & Date Not Set	2S	Invalid time or date in configuration memory.	Run the System Configuration Utility and correct.
164-Memory Size Error	2S	Configuration memory incorrect	Run the System Configuration Utility and correct.
170-Expansion Device Not Responding	None	EISA or PCI Expansion board failure.	Check board for secure installation. Replace the failed board if necessary.
172-Configuration Nonvolatile Memory Invalid	None	Nonvolatile configuration corrupt or jumper installed.	Run the System Configuration Utility and correct.
172-1 Configuration Nonvolatile Memory Invalid	None	Nonvolatile configuration corrupt.	Run the System Configuration Utility and correct.

*Continued*

**POST Error Messages** *Continued*

<b>Error Code</b>	<b>Beeps</b>	<b>Probable Source of Problem</b>	<b>Action</b>
173-Slot ID Mismatch	None	Board replaced, configuration not updated.	Run the System Configuration Utility and correct.
174-Configuration/Slot Mismatch Device Not Found	None	EISA or PCI board not found.	Run the System Configuration Utility and correct.
175-EISA Configuration/Slot Mismatch Device Found	None	EISA or PCI board added, configuration not updated.	Run the System Configuration Utility and correct.
176-Slot with Not Readable ID Yields Valid ID	None	EISA or PCI board in slot that should contain an ISA board.	Run the System Configuration Utility and correct.
177-Configuration Not Complete	None	Incomplete System Configuration.	Run the System Configuration Utility and correct.
178-Processor Configuration Invalid	None	Processor type or step does not match configuration memory.	Run the System Configuration Utility and correct.
179-System Revision Mismatch	None	A board was installed that has a different revision date.	Run the System Configuration Utility and correct.
201-Memory Error	None	RAM failure	Run Diagnostics.
203-Memory Address Error	None	RAM failure	Run Diagnostics.
205-Cache Memory Error Option-Cache Memory Error	None	Cache memory error. Option Cache Memory Error	Replace the processor board in the slot indicated. Replace the option cache board.
206-Cache Controller Error	None	Cache controller failure.	Run Diagnostics.

*Continued*



**POST Error Messages** *Continued*

<b>Error Code</b>	<b>Beeps</b>	<b>Probable Source of Problem</b>	<b>Action</b>
207-Invalid Memory Configuration - Check SIMM Installation	None	Memory module installed incorrectly.	Verify placement of memory modules.
208-Invalid Memory Speed - Check SIMM Installation	1L,1S	The speed of the memory is too slow, where: xx00 = expansion board SIMMs are too slow, or 00yy = system board SIMMs are too slow. xx and yy have corresponding bit set.	The speed of the memory modules must be 60 or 70 ns. (80 ns SIMMs are not supported.) Verify the speed of the memory modules installed and replace.
211-Cache Switch Set Incorrectly	None	Switch not set properly during installation or upgrade.	Verify switch settings.
212-System Processor Failed/Mapped out	1S	Processor in slot x failed.	Run Diagnostics and replace failed processor.
213-Cache size Error (ProSignia Vs only)	None	Invalid optional cache size.	Replace cache with 256K cache..
213-System Processor Not Installed	1S	System processor configured for slot indicated is missing.	Install processor in the slot indicated or run the System Configuration Utility to remove the processor from the .CFG file.
301-Keyboard Error	None	Keyboard failure.	Turn off the computer, then reconnect the keyboard.
301-Keyboard Error or Test Fixture Installed	None	Keyboard failure.	Replace the keyboard.
ZZ-301-Keyboard Error	None	Keyboard failure. (ZZ represents the Keyboard Scan Code.)	<ol style="list-style-type: none"> <li>1. A key is stuck. Try to free it.</li> <li>2. Replace the keyboard.</li> </ol>

*Continued*

**POST Error Messages** *Continued*

<b>Error Code</b>	<b>Beeps</b>	<b>Probable Source of Problem</b>	<b>Action</b>
303-Keyboard Controller Error	None	System board, keyboard, or mouse controller failure.	Check with your Authorized Compaq Reseller.
304-Keyboard or System Unit Error	None	Keyboard, keyboard cable, or system board failure.	<ol style="list-style-type: none"> <li>1. Make sure the keyboard is attached.</li> <li>2. Run Diagnostics to determine which is in error.</li> <li>3. Replace the part indicated.</li> </ol>
40X-Parallel Port X Address Assignment Conflict	2S	Both external and internal ports are assigned to parallel port X	Run the System Configuration Utility.
402-Monochrome Adapter Failure	1L,2S	Monochrome display controller.	Replace the monochrome display controller.
501-Display Adapter Failure	1L,2S	Video display controller.	Replace the video board.
601-Diskette Controller Error	None	Diskette controller circuitry failure.	<ol style="list-style-type: none"> <li>1. Make sure the diskette drive cables are attached.</li> <li>2. Replace the diskette drive and/or cable.</li> <li>3. Replace the system board.</li> </ol>
605-Diskette Drive Type Error	2S	Mismatch in drive type.	Run the System Configuration Utility to set diskette type correctly.
702-A coprocessor has been detected that was not reported by CMOS.	None	Installed coprocessor not configured.	Run the System Configuration Utility and correct.
703-CMOS reports a coprocessor that has not been detected	2S	Coprocessor or configuration error.	<ol style="list-style-type: none"> <li>1. Run the System Configuration Utility and correct.</li> <li>2. Replace the coprocessor.</li> </ol>

*Continued*

**POST Error Messages** *Continued*

<b>Error Code</b>	<b>Beeps</b>	<b>Probable Source of Problem</b>	<b>Action</b>
1151-Com Port 1 Address Assignment Conflict	2S	Both external and internal serial ports are assigned to COM1.	Run the System Configuration Utility and correct.
1152-Com Port 2, 3, or 4 Address Assignment Conflict	2S	Both external and internal serial ports are assigned to COM2, COM3 or COM4.	Run the System Configuration Utility and correct.
1600-Server Manager/R Failure	None	Server Manager/R board failure. Error code displays after error message.	Run Diagnostics. Replace failed assembly as indicated or contact your service provider.
1610-Temperature violation detected. Waiting for system to cool	2S	Ambient system temperature too hot.	Check fan in system environment.
1611-Fan failure detected	2S	Required fan not installed or spinning.	Check fans.
1612-Primary power supply failure.	2S	Primary power supply has failed	Replace power supply as soon as possible.
1730-Fixed Disk 0 does not support DMA Mode	None	Fixed disk drive error.	Run the System Configuration Utility and correct.
1731-Fixed Disk 1 does not support DMA Mode	None	Fixed disk drive error.	Run the System Configuration Utility and correct.
1740-Fixed Disk 0 failed Set Block Mode command	None	Fixed disk drive error.	Run the System Configuration Utility and correct.
1741-Fixed Disk 1 failed Set Block Mode command	None	Fixed disk drive error.	Run the System Configuration Utility and correct.
1750-Fixed Disk 0 failed Identify command	None	Fixed disk drive error.	Run the System Configuration Utility and correct.
1751-Fixed Disk 1 failed Identify command	None	Fixed disk drive error.	Run the System Configuration Utility and correct.
1760-Fixed Disk 0 does not support Block Mode	None	Fixed disk drive error.	Run the System Configuration Utility and correct.

*Continued*

**POST Error Messages** *Continued*

<b>Error Code</b>	<b>Beeps</b>	<b>Probable Source of Problem</b>	<b>Action</b>
1761-Fixed Disk 1 does not support Block Mode	None	Fixed disk drive error.	Run the System Configuration Utility and correct.
1771-Primary Disk Port Address Assignment Conflict	None	Internal and external hard drive controllers are both assigned to the primary address.	Run the System Configuration Utility and correct.
1772-Secondary Disk Port Address Assignment Conflict	None	Address Assignment Conflict. Internal and external hard drive controllers are both assigned to the secondary address.	Run the System Configuration Utility and correct.
1773-Primary Fixed Disk Port Assignment Conflict	None	Fixed disk drive error.	Run the System Configuration Utility and correct.
1776-Drive Array - SCSI Port Termination Error	None	External and internal SCSI drives are both configured to Port 1.	Reconfigure drives.
1777-Drive Array - External ProSignia VS Drive Subsystem Error	None	Cooling fan failure, internal temperature alert or open side panel.	Inspect for cooling fan failure or side panel open.
1778-Drive Array resuming Automatic Data Recovery process	None	This message appears whenever a controller reset or power cycle occurs while Automatic Data Recovery is in progress.	No action necessary.
1779-Drive Array Controller detects replacement drives	None	Intermittent drive failure and/or possible loss of data.	If this message appears and drive X has not been replaced, this indicates an intermittent drive failure. This message also appears once immediately following drive replacement whenever data must be restored from backup.

*Continued*

**POST Error Messages** *Continued*

<b>Error Code</b>	<b>Beeps</b>	<b>Probable Source of Problem</b>	<b>Action</b>
1780-Disk 0 Failure	None	Hard drive/format error.	Run Diagnostics. Replace failed assembly as indicated or contact your service provider.
1781-Disk 1 Failure	None	Hard drive/format error	Run Diagnostics. Replace failed assembly as indicated or contact your service provider.
1782-Disk Controller Failure	None	Hard disk drive circuitry error.	Run Diagnostics. Replace failed assembly as indicated or contact your service provider.
1784-Drive Array Drive Failure, Physical Drive	None	Defective drive and/or cables.	Check for loose cables. Replace defective drive X and/or cable(s).
1785-Drive Array not Configured	None	Configuration error.	Run the System Configuration Utility and correct.
1786-Drive Array Recovery Needed The following drive(s) need Automatic Data Recovery: Drive X. Select "F1" to continue with recovery of data to drive(s). Select "F2" to continue without recovery of data to drive(s).	None	Interim Data Recovery mode. Data has not been recovered yet.	Press <b>F1</b> key to allow Automatic Data Recovery to begin. Data will automatically be restored to drive X now that the drive has been replaced or now seems to be working. -Or- Press the <b>F2</b> key and the system will continue to operate in the Interim Data Recovery mode.
1787-Drive Array Operating in Interim Recovery Mode. Physical drive replacement needed: Drive X	None	Hard drive X failed or cable is loose or defective. Following a system restart, this message reminds you that drive X is defective and fault tolerance is being used.	<ol style="list-style-type: none"> <li>1. Replace drive X as soon as possible.</li> <li>2. Check loose cables.</li> <li>3. Replace defective cables.</li> </ol>

*Continued*

**POST Error Messages** *Continued*

<b>Error Code</b>	<b>Beeps</b>	<b>Probable Source of Problem</b>	<b>Action</b>
*1788-Incorrect Drive Replaced: Drive X Drive(s) were incorrectly replaced: Drive Y Select "F1" to continue - drive array will remain disabled. Select "F2" to reset configuration - all data will be lost.	None	Drives are not installed in their original positions, so the drives have been disabled. <i>See note below.</i>	Reinstall the drives correctly as indicated. Press <b>F1</b> to restart the computer with the drive array disabled. -Or- Press <b>F2</b> to use the drives as configured and lose all the data on them.
<p><b>*NOTE:</b> The 1788 error message might also be displayed inadvertently due to a bad power cable connection to the drive or by noise on the data cable. If this message was due to a bad power cable connection, but not due to an incorrect drive replacement, repair the connection and press <b>F2</b>.</p> <p>-Or-</p> <p>If this message was not due to a bad power cable connection, and no drive replacement took place, this could indicate noise on the data cable. Check cable for proper routing.</p>			
1789-Drive Not Responding, Physical Drive Check cables or replace physical drive X. Select "F1" to continue - drive array will remain disabled. Select "F2" to fail drive(s) that are not responding - Interim Recovery Mode will be enabled if configured for fault tolerance.	None	Cable or hard drive failure.	<ol style="list-style-type: none"> <li>1. Check the cable connections.</li> <li>2. If cables are connected, replace the drive.</li> <li>3. If you do not want to replace the drives now, press <b>F2</b>.</li> </ol>
1790-Disk 0 Error	None	Hard drive error or wrong drive type.	Run the System Configuration Utility and Diagnostics and correct.
1791-Disk 1 Error	None	Hard drive error or wrong drive type.	Run the System Configuration Utility and Diagnostics and correct.

*Continued*

**POST Error Messages** *Continued*

<b>Error Code</b>	<b>Beeps</b>	<b>Probable Source of Problem</b>	<b>Action</b>
1792-Drive Array Reports Valid Data Found in Array Accelerator. Data will automatically be written to drive array.	None	This indicates that while the system was in use, power was interrupted while data was in the Array Accelerator memory. Power was then restored within eight to ten days, and the data in the Array Accelerator was flushed to the drive array.	No action necessary; no data has been lost. Perform orderly system shut-downs to avoid data remaining in the Array Accelerator.
1793-Drive Array - Array Accelerator Battery Depleted - Data Lost (Error message 1794 also displays.)	None	This indicates that while the system was in use, power was interrupted while data was in the Array Accelerator memory. Array Accelerator batteries failed. Data in Array Accelerator has been lost.	Power was not restored within eight to ten days. Perform orderly system shut-downs to avoid data remaining in the Array Accelerator.
1794-Drive Array - Array Accelerator Battery Charge Low. Array Accelerator is temporarily disabled. Array Accelerator will be re-enabled when battery reaches full charge.	None	This is a warning that the battery charge is below 75%. Posted writes are disabled.	Replace the Array Accelerator board if batteries do not recharge within 36 power-on hours.
1795-Drive Array - Array Accelerator Configuration Error. Data does not correspond to this drive array. Array Accelerator is temporarily disabled.	None	This indicates that while the system was in use, power was interrupted while data was in the Array Accelerator memory. The data stored in the Array Accelerator does not correspond to this drive array.	1. Match the Array Accelerator to the correct drive array. -Or- 2. Run the System Configuration Utility to clear the data in the Array Accelerator.

*Continued*

**POST Error Messages** *Continued*

<b>Error Code</b>	<b>Beeps</b>	<b>Probable Source of Problem</b>	<b>Action</b>
1796-Drive Array - Array Accelerator Not Responding. Array Accelerator is temporarily disabled.	None	Array Accelerator is defective or has been removed.	1. Check that the Array Accelerator is properly seated. 2. Run the System Configuration Utility to re configure the Compaq IDA-2 without the Array Accelerator.
1797-Drive Array - Array Accelerator Read Error Occurred. Data in Array Accelerator has been lost. Array Accelerator is disabled.	None	Hard parity error while reading data from posted writes memory.	Enable Array Accelerator.
1798-Drive Array - Array Accelerator Write Error Occurred. Array Accelerator is disabled.	None	Hard parity error while writing data to posted writes memory.	Enable Array Accelerator.
1799-Drive Array - Drive(s) Disabled due to Array Accelerator Data Loss. Select "F1" to continue with logical drives disabled. Select "F2" to accept data loss and to re enable logical drives.	None	Volume failed due to loss of data in posted-writes memory.	Press <b>F1</b> to continue with logical drives disabled or <b>F2</b> to accept data loss and re enable logical drive.
2 long + 2 short beeps	2L,2S	Power is cycled. Temperature too hot. Processor fan not installed or spinning.	Check fans.
(Run System Configuration Utility = "F10" key)	None	A configuration error occurred during POST.	Press F10 to run System Configuration Utility.
(RESUME = "F1" KEY)	None	As indicated to continue.	Press the <b>F1</b> key.



## DIAGNOSTICS (DIAGS)

Diagnostic error codes occur if the system recognizes a problem while running the Diagnostics program. These error codes help identify possible defective subassemblies.

Tables 3-2 through 3-17 list possible error codes, a description of the error condition, and the action required to resolve the error condition.

In each case, the Recommended Action column lists the steps necessary to correct the problem. After completing each step, run the Diagnostics program to verify whether the error condition has been corrected. If the error code reappears, perform the next step, then run the Diagnostics program again. Follow this procedure until the Diagnostics program no longer detects an error condition.

If you encounter an error condition, complete the following steps before starting problem isolation procedures:

1. Ensure that there is proper ventilation. The computer should have approximately 12 inches (30.5 cm) clearance at the front and back of the system unit.
2. Turn off the computer and peripheral devices.
3. Disconnect any peripheral devices other than the monitor and keyboard. Do not disconnect the printer if you want to test it or use it to log error messages.
4. Delete the power-on password, if set. You will know that the power-on password is set when a key icon appears on the screen when POST completes. If this occurs, you must enter the password to continue. To delete the password, type the current password and press the **Enter** key.
5. If you do not have access to the password, you must disable the power-on password by using the Password Disable switch on the system board.
6. Install an loopback plug when instructed to by Diagnostics (Part Number # 142054-001).
7. Run the latest version of Diagnostics.

**Table 3-2**  
**Primary Processor Test Error Codes**

<b>Error</b>		
<b>Code</b>	<b>Description</b>	<b>Recommended Action</b>
101-xx	CPU test failed	Replace the processor board and re-test.
103-xx	DMA page registers test failed	Replace the processor board and re-test for error codes 103-xx through 106-xx.
104-xx	Interrupt controller master test failed	
105-xx	Port 61 error	
106-xx	Keyboard controller self-test failed	

*Continued*

**Table 3-2 Primary Processor Test Error Codes** *Continued*

<b>Error Code</b>	<b>Description</b>	<b>Recommended Action</b>
107-xx	CMOS RAM test failed	The following steps apply to error codes 107-xx through 109-xx. 1. Replace the battery/clock module and re-test. 2. Replace the system board and re-test.
108-xx	CMOS interrupt test failed	
109-xx	CMOS clock load data test failed	
110-xx	Programmable timer load data test failed	Replace the system board and re-test for error codes 110-xx through 113-xx
111-xx	Refresh detect test failed	
112-xx	Speed test slow mode out of range	
113-xx	Protected mode test failed	
114-xx	Speaker test failed	The following steps apply to 114-xx error codes: 1. Verify the speaker connection. 2. Replace the speaker and re-test. 3. Replace the system board and re-test.
116-xx	Cache test failed	Replace the system board and re-test.
199-xx	Installed devices test failed	The following steps apply to 199-xx error codes: 1. Check the system configuration. 2. Verify cable connections. 3. Check switch and/or jumper settings. 4. Run the Configuration utility. 5. Replace the processor board and re-test. 6. Replace the system board and re-test.

**Table 3-3  
Memory Test Error Codes**

<b>Error Code</b>	<b>Description</b>	<b>Recommended Action</b>
200-xx	Invalid memory configuration	Reinsert memory modules in correct location.
201-xx 202-xx	Memory machine ID test failed Memory system ROM checksum failed	The following steps apply to error codes 201-xx and 202-xx: 1. Replace the system ROM and re-test. 2. Replace the processor board and re-test. 3. Replace the memory expansion board and re-test.
203-xx 204-xx 205-xx 206-xx 210-xx	Memory write/read test failed Memory address test failed Walking I/O test failed Increment pattern test failed Random pattern test failed	The following steps apply to error codes 203-xx through 210-xx: 1. Replace the memory module and re-test. 2. Replace the processor board and re-test. 3. Replace the memory expansion board and re-test.

**Table 3-4  
Keyboard Test Error Codes**

<b>Error Code</b>	<b>Description</b>	<b>Recommended Action</b>
301-xx 302-xx 303-xx 304-xx	Keyboard short test, 8042 self-test failed Keyboard long test failed Keyboard LED test, 8042 self-test failed Keyboard typematic test failed	The following steps apply to error codes 301-xx through 304-xx: 1. Check the keyboard connection. If disconnected, turn off the computer and connect the keyboard. 2. Replace the keyboard and re-test. 3. Replace the system board and re-test.

**Table 3-5  
Parallel Printer Test Error Codes**

<b>Error Code</b>	<b>Description</b>	<b>Recommended Action</b>
401-xx	Printer failed or not connected	The following steps apply to error codes 401-xx through 498-xx: 1. Connect the printer. 2. Check the power to the printer. 3. Install the loopback connector and re-test. 4. Check the switch on the Serial/Parallel Interface board (if applicable). 5. Replace the Serial/Parallel Interface board (if applicable). 6. Replace the system board and re-test.
402-xx	Printer data register failed	
403-xx	Printer pattern test failed	
498-xx	Printer failed or not connected	

**Table 3-6  
Video Display Unit Test Error Codes**

<b>Error Code</b>	<b>Description</b>	<b>Recommended Action</b>
501-xx	Video controller test failed	The following steps apply to error codes 501-xx through 516-xx: 1. Replace the monitor and re-test. 2. Replace the Advanced VGA board and re-test. 3. Replace the system board and re-test.
502-xx	Video memory test failed	
503-xx	Video attribute test failed	
504-xx	Video character set test failed	3. Replace the system board and re-test.
505-xx	Video 80 x 25 mode 9 x 14 character cell test failed	
506-xx	Video 80 x 25 mode 8 x 8 character cell test failed	
507-xx	Video 40 x 25 mode test failed	3. Replace the system board and re-test.
508-xx	Video 320 x 200 mode color set 0 test failed	
509-xx	Video 320 x 200 mode color set 1 test failed	
510-xx	Video 640 x 200 mode test failed	3. Replace the system board and re-test.
511-xx	Video screen memory page test failed	
512-xx	Video gray scale test failed	
514-xx	Video white screen test failed	3. Replace the system board and re-test.
516-xx	Video noise pattern test failed	

**Table 3-7**  
**Diskette Drive Error Test Codes**

<b>Error Code</b>	<b>Description</b>	<b>Recommended Action</b>
600-xx	Diskette ID drive types test failed	The following steps apply to error codes 600-xx through 698-xx: 1. Replace the diskette and re-test. 2. Check and/or replace the diskette power and signal cables and re-test. 3. Replace the diskette drive and re-test. 4. Replace the system board and re-test.
601-xx	Diskette format failed	
602-xx	Diskette read test failed	
603-xx	Diskette write/read/compute test failed	
604-xx	Diskette random seek test failed	
605-xx	Diskette ID media failed	
606-xx	Diskette speed test failed	
607-xx	Diskette wrap test failed	
608-xx	Diskette write protect test failed	
609-xx	Diskette reset controller test failed	
610-xx	Diskette change line test failed	
694-xx	Pin 34 is not cut on 360 Kb diskette drive	
697-xx	Diskette type error	
698-xx	Diskette drive speed not within limits	
699-xx	Diskette drive/media ID error	The following steps apply to 699-xx error codes: 1. Replace the media. 2. Run the Configuration utility.

**Table 3-8**  
**Monochrome Video Board Test Error Codes**

<b>Error Code</b>	<b>Description</b>	<b>Recommended Action</b>
802-xx	Video memory test failed	The following steps apply to error codes 802-xx and 824-xx: 1. Replace monitor and re-test. 2. Replace the Advanced VGA board and re-test. 3. Replace monochrome board and re-test. 4. Replace the system board and re-test.
824-xx	Monochrome video text mode test failed	

**Table 3-9  
Serial Test Error Codes**

<b>Error Code</b>	<b>Description</b>	<b>Recommended Action</b>
1101-xx	Serial port test failed	The following steps apply to error codes 1101-xx and 1109-xx:  1. Check the switch settings on the Serial/Parallel Interface board (if applicable). 2. Replace the Serial/Parallel Interface board (if applicable). 3. Replace the system board and re-test.
1109-xx	Clock register test failed	

**Table 3-10  
Modem Communications Test Error Codes**

<b>Error Code</b>	<b>Description</b>	<b>Recommended Action</b>
1201-xx	Modem internal loopback test failed	The following steps apply to error codes 1201-xx through 1210-xx:  1. Refer to the modem documentation for correct setup procedures. 2. Check the modem line. 3. Replace the modem and re-test.
1202-xx	Modem time-out test failed	
1203-xx	Modem external termination test failed	
1204-xx	Modem auto originate test failed	
1206-xx	Dial multi-frequency tone test failed	
1210-xx	Modem direct connect test failed	

**Table 3-11**  
**Fixed Disk Drive Test Error Codes**

<b>Error Code</b>	<b>Description</b>	<b>Recommended Action</b>
1700-xx	Fixed disk ID drive types test failed	The following steps apply to error codes 1700-xx through 1799-xx: 1. Run the Configuration Utility and verify the drive type. 2. Replace the fixed disk drive signal and power cables and re-test. 3. Replace the fixed disk drive controller and re-test. 4. Replace the fixed disk drive and re-test. 5. Replace the system board and re-test.
1701-xx	Fixed disk format test failed	
1702-xx	Fixed disk read test failed	
1703-xx	Fixed disk write/read/compare test failed	
1704-xx	Fixed disk random seek test failed	
1705-xx	Fixed disk controller test failed	
1708-xx	Fixed disk format bad track test failed	
1709-xx	Fixed disk reset controller test failed	
1710-xx	Fixed disk park head test failed	
1715-xx	Fixed disk head select test failed	
1716-xx	Fixed disk conditional format test failed	
1717-xx	Fixed disk ECC* test failed	
1719-xx	Fixed disk drive power mode test failed	
1736-xx	Drive Monitoring failed	
1799-xx	Invalid fixed disk drive type failed	

\* Error Correction Code

**Table 3-12**  
**CD-ROM Drive Test Error Codes**

<b>Error Code</b>	<b>Description</b>	<b>Recommended Action</b>
1800-xx	CD-ROM ID failed	The following steps apply to error codes 1800-xx through 1823-xx: 1. Replace the CD-ROM and re-test. 2. Check and/or replace the signal cable and re-test. 3. Check the switch settings on the adapter board (if applicable). 4. Replace the tape adapter board (if applicable) and re-test. 5. Replace the CD-ROM drive and re-test. 6. Replace the system board and re-test.
1803-xx	CD-ROM Power failed	
1805-xx	CD-ROM Read failed	
1806-xx	CD-ROM SA/Media failed	
1808-xx	CD-ROM Controller failed	
1823-xx	CD-ROM random read failed	

**Table 3-13**  
**Tape Drive Test Error Codes**

<b>Error Code</b>	<b>Description</b>	<b>Recommended Action</b>
1900-xx	Tape ID failed	The following steps apply to error codes 1900-xx through 1906-xx: <ol style="list-style-type: none"><li>1. Replace the tape cartridge and re-test.</li><li>2. Check and/or replace the signal cable and re-test.</li><li>3. Check the switch settings on the adapter board (if applicable).</li><li>4. Replace the tape adapter board (if applicable) and re-test.</li><li>5. Replace the tape drive and re-test.</li><li>6. Replace the system board and re-test.</li></ol>
1901-xx	Tape servo write failed	
1902-xx	Tape format failed	
1903-xx	Tape drive sensor test failed	
1904-xx	Tape BOT/EOT test failed	
1905-xx	Tape read test failed	
1906-xx	Tape write/read/compare test failed	



**Table 3-14**  
**Advanced VGA Board Test Error Codes**

<b>Error Code</b>	<b>Description</b>	<b>Recommended Action</b>
2402-xx	Video memory test failed	The following steps apply to error codes 2402-xx through 2456-xx: 1. Run the Configuration utility. 2. Replace the monitor and re-test. 3. Replace the Advanced VGA board or other video board and re-test. 4. Replace the system board and re-test.
2403-xx	Video attribute test failed	
2404-xx	Video character set test failed	
2405-xx	Video 80 x 25 mode 9 x 14 character cell test failed	
2406-xx	Video 80 x 25 mode 8 x 8 character cell test failed	
2407-xx	Video 40 x 25 mode test failed	
2408-xx	Video 320 x 320 mode color set 0 test failed	
2409-xx	Video 320 x 320 mode color set 1 test failed	
2410-xx	Video 640 x 200 mode test failed	
2411-xx	Video screen memory page test failed	
2412-xx	Video gray scale test failed	
2414-xx	Video white screen test failed	
2416-xx	Video noise pattern test failed	
2417-xx	Lightpen text mode test failed, no response	
2418-xx	ECG/VGC memory test failed	
2419-xx	ECG/VGC ROM checksum test failed	
2420-xx	ECG/VGC attribute test failed	
2421-xx	ECG/VGC 640 x 200 graphics mode test failed	
2422-xx	ECG/VGC 640 x 350 16-color set test failed	
2423-xx	ECG/VGC 640 x 350 64-color test failed	
2424-xx	ECG/VGC monochrome text mode test failed	
2425-xx	ECG/VGC monochrome graphics mode test failed	
2431-xx	640 x 480 graphics test failure	
2432-xx	320 x 200 graphics (256-color mode) test failure	
2448-xx	Advanced VGA Controller test failed	
2451-xx	132-column Advanced VGA test failed	
2456-xx	Advanced VGA 256-Color test failed	
2458-xx	Advanced VGA Bit BLT Test	The following steps apply to error codes 2458-xx through 2480-xx: 1. Run Setup. 2. Replace the system board and re-test.
2468-xx	Advanced VGA DAC Test	
2477-xx	Advanced VGA Data Path Test	
2480-xx	Advanced VGA DAC Test	

**Table 3-15**  
**NetFlex-2 ENET-TR Controller and**  
**NetFlex-2 Token Ring Controller Test Error Codes**

<b>Error Code</b>	<b>Description</b>	<b>Recommended Action</b>
6000-xx	Network card ID failed	The following steps apply to error codes 6000-xx through 6089-xx: 1. Check the controller installation in the EISA slot. 2. Check the interrupt type and number setting. 3. Check the media connection at the controller and MAU*. 4. Check the media speed (4/16 ) and type (UTP/STP**) settings. 5. Check the MAU, cabling, or other network components. 6. Replace the controller. * MAU = Multistation Access Unit ** UTP/STP = Unshielded Twisted Pair/Shielded Twisted Pair.
6001-xx	Network card setup failed	
6002-xx	Network card transmit failed	
6014-xx	Network card Configuration failed	
6016-xx	Network card Reset failed	
6028-xx	Network card Internal failed	
6029-xx	Network card External failed	
6089-xx	Network card Open failed	

**Table 3-16**  
**Pointing Device Interface Test Error Codes**

<b>Error Code</b>	<b>Description</b>	<b>Recommended Action</b>
8601-xx	Pointing Device Interface test failed	The following steps apply for 8601-xx error codes: 1. Replace with a working pointing device and re-test. 2. Replace the system board and re-test.

**Table 3-17**  
**Server Manager/R Board Test Error Codes**

<b>Error Code</b>	<b>Description</b>	<b>Recommended Action</b>
7000-11	Processor (80186 Timer)	Replace the Server Manager/R board and re-test for error codes 7000-11 through 7000-27.
7000-12	Processor (80186 Registers)	
7000-13	Processor (Watch Dog Timer)	
7000-14	Processor (8570 RAM)	
7000-15	Processor (8570 RTC)	
7000-21	Memory	
7000-22	Memory Write/Read	
7000-23	Memory Address	Replace the Server Manager/R board and re-test for error codes 7000-28 through 7000-46.
7000-24	Memory Refresh Alert	
7000-25	Memory Increment	
7000-26	Memory Random Data	
7000-27	Memory Disturb Address	
7000-28	Memory HBM	
7000-33	HBM IO	
7000-34	HBM BMIC	Replace the Server Manager/R board Enhanced 2400-Baud Integrated Modem and re-test for error codes 7000-51 through 7000-57.
7000-35	HBM Video	
7000-41	ser_int	
7000-42	ser_int	
7000-43	ser_ext	
7000-44	ser_ext	
7000-45	ser_ext_int	
7000-46	ser_ext_int	
7000-51	mdm_int	Replace the Server Manager/R board Voice ROM for 7000-61 and 7000-62 error codes.
7000-52	mdm_int	
7000-53	mdm_ext	
7000-54	mdm_ext	
7000-55	mdm_ext_int	
7000-56	mdm_ext_int	
7000-57	mdm\c\analog	
7000-61	Voice/DTMF Internal Loopback	Replace the Server Manager/R board battery for 7000-78 and 7000-79 error codes.
7000-62	Voice/DTMF Internal Loopback	
7000-78	Host ADC Measurements	Replace the Server Manager/R board battery for 7000-78 and 7000-79 error codes.
7000-79	Battery	

## DRIVE ARRAY ADVANCED DIAGNOSTICS (DAAD)

Drive Array Advanced Diagnostics (DAAD) is a DOS-based tool designed to run on all Compaq products that contain a Smart SCSI Array Controller using Fast-SCSI-2 Drives. The error messages and codes listed include all codes generated by Compaq products. Your system will generate only those codes that are applicable to your configuration and options. The two main functions of DAAD are to collect all possible information about the array controllers in the system and to offer a list of all detected problems.

**NOTE:** Refer to the *Drive Array Advanced Diagnostics User Guide* for complete details and procedures about this diagnostic tool.

DAAD works by issuing multiple commands to the array controllers to determine if a problem exists. This data can then be saved to a file and, for severe situations, this file can be sent to Compaq for analysis. In most cases, DAAD will provide enough information to initiate problem resolution immediately.

**NOTE:** DAAD does not write to the drives or destroy data. It does not change or remove configuration information.

### Starting DAAD

To start DAAD:

1. Insert the DAAD diskette into drive A and reboot the system. If you are at the DOS prompt, enter the following:

A:DAAD

2. A dialog box displays indicating the version of DAAD installed. Press the **Enter** key to continue.

To exit without continuing, press the **Esc** key.

3. If you continue, a "Please Wait" panel will display indicating that DAAD is identifying the system parameters.

DAAD gathers all the information it can from all of the array controllers in the system. The time it takes to gather this information depends on the size of your system.



**CAUTION:** Do not cycle the power because the utility must perform low-level operations that, if interrupted, could cause the controller to revert back to a previous level of firmware if the firmware was soft-upgraded.

---

4. Another "Please Wait" panel will appear to indicate that the utility is identifying the ROM version. When this completes, the main DAAD screen will display.

**NOTE:** To generate a DAAD report without starting the interactive portion of the utility, enter the following at the DOS prompt: DAAD *filename*  
where *filename* is the name of the file or report.

## DAAD Diagnostic Messages

The following is a description of the diagnostic messages that may appear in the dialog box of the Diagnosis menu. Included with each message is a probable cause and a probable solution or troubleshooting routine.

To view the problems detected by DAAD, select the Diagnosis button. If DAAD found no problems, a message, "No Problems Detected," will display.

### **Accelerator board not detected**

The IDA-2 board did not detect the presence of a configured array accelerator board.

Install an array accelerator board onto the IDA-2 controller. If you have an array accelerator board installed, check the seating to ensure that it has been properly installed onto the IDA-2 board. You may need to run the Compaq System Configuration Utility and disable the array accelerator board to get this message off the screen.

### **Accelerator error log**

This is a list of the last 32 parity errors on transfers between the IDA-2 board transfer buffer and memory on the array accelerator board. The starting memory address, transfer count, and operation (read and write) displays.

If there are a number of these parity errors, you may need to replace the array accelerator board.

### **Accelerator parity read errors: *n***

This message displays the number of times that read memory parity errors were detected during transfers between the IDA-2 board transfer buffer and memory on the array accelerator board.

If there are a number of these parity errors, you may need to replace the array accelerator board.

### **Accelerator parity write errors: *n***

This message displays the number of times that write memory parity errors were detected during transfers between the IDA-2 board transfer buffer and memory on the array accelerator board.

If there are a number of these parity errors, you may need to replace the array accelerator board.

### **Accelerator status: Permanently disabled**

The array accelerator board has been permanently disabled. It will remain disabled until it is reinitialized using the System Configuration Utility.

Check the Disable Code field. Run the System Configuration Utility to reinitialize the array accelerator board.

### **Accelerator status: Possible data loss in cache**

Possible data loss was detected during power-up due to all of the batteries being below the sufficient voltage level and no presence of the identification signatures on the array accelerator board.

There is no way to determine if dirty or bad data was in the cache and is now lost.

**Accelerator status: Temporarily disabled**

The array accelerator board has been temporarily disabled.

Check the Disable Code field.

**Accelerator status: Unrecognized status**

A status returned from the array accelerator board that DAAD does not recognize.

Call your Authorized Compaq Reseller for the latest copy of DAAD.

**Accelerator status: Valid data found at reset**

Valid data was found in the posted write memory at re initialization. The data will be flushed to disk.

This is *not* an error or data loss condition. No action needs to be taken.

**Accelerator status: Warranty alert**

A catastrophic problem has occurred with the array accelerator board. Refer to the other messages on the Diagnostics screen for the exact meaning of this message.

Replace the array accelerator board.

**Battery pack X below reference voltage**

The indicated battery pack is below the required voltage levels.

Allow sufficient time for the batteries to recharge (36 hours). If the batteries have not recharged after 36 hours, replace the battery pack.

**Battery X not fully charged**

The battery is not fully charged.

If 75% of the batteries present are fully charged, the array accelerator is fully operational. If more than 75% of the batteries are *not* fully charged, allow 36 hours to recharge them.

**Board not attached**

The IDA-2 board has been configured for use with an array accelerator board, but one is currently not attached.

Locate the original array accelerator board and attach it to the IDA-2 board.

**CMOS present, controller not detected**

EISA nonvolatile RAM has a configuration for an array controller but there is no board in this slot. Either a board has been removed from the system or a board has been placed in the wrong slot.

Place the array controller in the proper slot or run the System Configuration Utility to reconfigure nonvolatile RAM to reflect the removal or new position.

**Compatibility port problem detected**

You have the compatibility port configured for this IDA controller. When DAAD was verifying this interface, a serious problem was detected.

A hardware problem has occurred and you should replace the IDA controller.

**Configuration signature is zero**

DAAD detected that nonvolatile RAM contains a configuration signature that is zero. Old versions of the System Configuration Utility could cause this.

Run the latest version of System Configuration Utility to configure the controller and nonvolatile RAM.

**Configuration signature mismatch**

The array accelerator board has been configured for a different IDA-2 board. The configuration signature on the array accelerator board does not match the one stored on the IDA-2 board.

To recognize the array accelerator board, run the System Configuration Utility.

**Controller communication failure occurred**

DAAD was unable to successfully issue commands to the controller in this slot.

**Controller detected. CMOS not present**

The EISA nonvolatile RAM is not configured.

Run the System Configuration Utility to configure the nonvolatile RAM.

**Controller firmware needs upgrading**

The controller firmware is below the latest recommended version.

Call your Authorized Compaq Reseller to obtain the latest upgraded firmware.

**Controller firmware needs upgrading  
(DAAD Error 102)**

You have the correct controller, however, the IDA firmware should be greater than 1.26.

Call your Authorized Compaq Reseller to obtain the latest firmware.

**Controller is not configured**

The controller is not configured. If the controller was previously configured and you change drive locations, there may be a problem with the placement of the drives. DAAD examines each physical drive and looks for drives that have been moved to a different drive bay.

Look for the messages that indicate which drives have been moved. If none appear and drive swapping did not occur, run the System Configuration Utility to configure the controller and nonvolatile RAM. *Do not* run the System Configuration Utility if you believe drive swapping has occurred.

**Controller needs replacing (DAAD Error 102)**

The IDA firmware is less than version 0.96.

Replace the controller as soon as possible.

**Controller needs replacing (DAAD Error 104)**

The Intelligent Array Expansion System firmware is less than version 1.14.

Replace the controller as soon as possible.

### **Controller reported POST error. Error Code: x**

The controller returned an error from its internal Power-On Self Tests.

Replace the controller.

### **Controller restarted with a signature of zero**

DAAD did not find a valid configuration signature to use to get the data. Nonvolatile RAM may not be present (unconfigured) or the signature present in nonvolatile RAM may not match the signature on the controller.

Run the System Configuration Utility to configure the controller and nonvolatile RAM.

### **Disable command issued**

Posted writes have been disabled by the issuing of the Accelerator Disable command. This occurred because of an operating system device driver.

Restart the system. Run the System Configuration Utility to reinitialize the array accelerator board.

### **Drive (bay) X needs replacing (DAAD Error 102)**

The 210-megabyte hard drive installed in the computer has firmware version 2.30 or 2.31.

Replace the drive.

### **Drive Monitoring features are unattainable**

DAAD was unable to get the monitor and performance data due to a fatal command problem such as drive time-out, or was unable to get the data due to these features not being supported on the controller.

Check for other errors (time-outs, etc.). If no other errors occur, upgrade the firmware to a version that supports monitor and performance, if desired.

### **Drive Monitoring is NOT enabled for drive bay X**

The monitor and performance features have not been enabled.

Run the Compaq Diagnostics Utility 8.05 or higher to initialize the monitor and performance features.

### **Drive time-out occurred on physical drive bay X**

DAAD issued a command to a physical drive and the command was never acknowledged.

The drive or cable may be bad. Check the other error messages on the Diagnostics screen to determine resolution.

### **Drive (bay) X firmware needs upgrading**

The firmware on this physical drive is below the latest recommended version.

Call your Authorized Compaq Reseller to obtain the latest upgraded firmware.

### **Drive (bay) X has invalid M&P stamp**

The physical drive has invalid monitor and performance data present.

Run the latest Compaq Diagnostics Utility to properly initialize this drive.



**Drive X indicates position Y**

This message indicates which physical drive appears to be scrambled or in the wrong drive bay that it was originally configured for.

Examine the graphical drive representation on DAAD to determine proper drive locations. Remove drive X and place it in drive position Y. Rearrange the drives according to the DAAD instructions.

**Drive (bay) X RIS copy mismatch**

The copies of the RIS on this drive do not match.

This drive may need to be replaced. Check for other errors.

**Drive (bay) X upload code not readable**

An error occurred while DAAD was trying to read the upload code information from this drive.

If there were multiple errors, this drive may need to be replaced.

**Duplicate write memory error**

Data could not be written to the array accelerator board in duplicate due to the detection of parity errors. This is *not* a data loss situation.

Replace the array accelerator board.

**Error occurred reading RIS copy from drive (bay) X**

An error occurred while DAAD was trying to read the RIS from this drive.

If there were multiple errors, this drive may need to be replaced.

**FYI: Drive (bay) X is non-Compaq supplied**

The installed drive was not supplied by Compaq.

If problems exist with this drive, replace it with a Compaq drive.

**Identify controller data did not match with CMOS**

The identify controller data from the array controller did not match with the information stored in nonvolatile RAM. This could occur if new, previously configured drives have been placed in a system that has also been previously configured. It could also occur if the firmware on the controller has been upgraded and the System Configuration Utility was not run.

Check the identify controller data under the Inspect Utility. If the firmware version field is the only thing different between the controller and nonvolatile RAM data, this is not a problem. Otherwise run the System Configuration Utility.

**Identify logical drive data did not match with CMOS**

The identify unit data from the array controller did not match with the information stored in nonvolatile RAM. This could occur if new, previously configured drives have been placed in a system that has also been previously configured.

Run the System Configuration Utility to configure the controller and nonvolatile RAM.

### **Insufficient adapter resources**

The adapter does not have sufficient resources to perform operations to the array accelerator board. Drive rebuild may be occurring.

Operate the system without the array accelerator board until the drive rebuild completes.

### **Less than 75% batteries at sufficient voltage**

The operation of the array accelerator board has been disabled due to less than 75% of the battery packs being at the sufficient voltage level.

Allow sufficient time for the batteries to recharge (36 hours). If the batteries have not recharged after 36 hours, replace the array accelerator board.

### **Logical drive X failed due to cache error**

This logical drive failed due to a catastrophic cache error.

Replace the array accelerator board and re configure using the System Configuration Utility.

### **Logical Drive X status = FAILED**

This status could be issued for several reasons. If this logical drive is configured for No Fault Tolerance and one or more drives fail, this status will occur. If mirroring is enabled, and any two mirrored drives fail, this status will occur. If Data Guarding is enabled, and two or more drives fail in this unit, this status will occur. This status may also occur if another configured logical drive is in the WRONG DRIVE REPLACED or LOOSE CABLE DETECTED state.

Check for drive failures, wrong drive replaced, or loose cable messages. If there was a drive failure, replace the failed drive(s) and then restore the data for this logical drive from the tape backup. Otherwise, follow the wrong drive replaced or loose cable detected procedures.

### **Logical Drive X status = INTERIM RECOVERY**

A physical drive in this logical drive has failed. The logical drive is operating in interim recovery mode and is vulnerable.

Replace the failed drive as soon as possible.

### **Logical Drive X status = LOOSE CABLE DETECTED**

A physical drive has a cabling problem.

Turn the system off and attempt to reattach the cable onto the drive. If this does not work, replace the cable.

### **Logical Drive X status = NEEDS RECOVER**

A physical drive in this logical drive has failed and has now been replaced. This drive needs to be rebuilt from the mirror drive or the parity data.

When booting up the system, select the "F1 - rebuild drive" option to rebuild the replaced drive.

### **Logical Drive X status = OVERHEATED**

The temperature of the Intelligent Array Expansion System drives is beyond safe operating levels and it has shut down to avoid damage.

Check the fans and the operating environment.

**Logical Drive X status = OVERHEATING**

The temperature of the Intelligent Array Expansion System drives is beyond safe operating levels.

Check the fans and the operating environment.

**Logical Drive X status = RECOVERING**

A physical drive in this logical drive has failed and has now been replaced. The replaced drive is rebuilding from the mirror drive or the parity data.

Nothing needs to be done. Normal operations can occur.

**Logical Drive X status = WRONG DRIVE REPLACED**

A physical drive in this logical drive has failed. The incorrect drive was replaced.

Replace the drive that was incorrectly replaced. Then, replace the original drive that failed with a new drive. *Do not* run the System Configuration Utility to re configure - you will lose data on the drive.

**Mirror data miscompare**

Data was found at re initialization in the posted write memory, however, the mirror data compare test failed resulting in data being marked as invalid. Data loss is possible.

Replace the array accelerator board.

**Mirrored memory location errors**

Soft errors occurred when attempting to read the same data from both sides of the mirrored memory. Data loss will occur.

Replace the array accelerator board.

**No configuration for Accelerator Board**

The array accelerator board has not been configured.

If the array accelerator board is present, run the System Configuration Utility to configure the board.

**Physical Drive (bay) X error occurred**

This message displays detailed information on any drive errors that were returned to DAAD while issuing drive commands.

Check for other error conditions.

**Physical drive (bay) X has loose cable**

The array controller could not communicate with this drive at power-up. This drive has not previously failed.

Check all cable connections first. The cables could be bad, loose, or disconnected. Turn on the system and attempt to reconnect data/power cable to the drive. If this does not work, replace the cable. If that does not work, the drive may need to be replaced.

### **Physical drive (bay) X is a replacement drive**

This drive has been replaced. This message displays if a drive is replaced in a fault tolerant logical volume.

If the replacement was intentional, allow the drive to rebuild.

### **Physical drive (bay) X is a replacement drive marked OK**

This drive has been replaced and marked OK by the firmware. This may occur if a drive has an intermittent failure (for example, if a drive has previously failed, then when DAAD is run, the drive starts working again).

Replace the drive.

### **Physical drive (bay) X has failed**

The indicated physical drive has failed.

Replace this drive.

### **Physical drive (bay) X is undergoing drive recovery**

This drive is being rebuilt from the corresponding mirror or parity data.

Normal operations should occur.

### **Physical drive (bay) X was inadvertently replaced**

The physical drive was incorrectly replaced after another drive failed.

Replace the drive that was incorrectly replaced and replace the original drive that failed. Do not run the System Configuration Utility and try to re configure - data will be lost.

### **Set configuration command issued**

The configuration of the IDA-2 has been updated. The array accelerator board remains disabled until it is reinitialized.

Run the System Configuration Utility to reinitialize the array accelerator board.

### **Soft Firmware Upgrade required**

DAAD has determined that your controller is running firmware that has been soft upgraded by the Compaq Upgrade Utility. However, the firmware running is not present on all drives. This could be caused by the addition of new drives in the system.

Run the Compaq Upgrade Utility to place the latest firmware on all drives.

### **Threshold for drive (bay) X violated**

This message indicates that a monitor and performance threshold for this drive has been violated.

Check for the particular threshold that has been violated.

### **Threshold violations for drive (bay) X**

This is a list of the individual thresholds that have been violated for this drive.

The drive may need to be replaced. Run the Compaq Diagnostics Utility to determine if the drive has been initialized and the threshold violation warrants drive replacement.

### Unknown disable code

A code was returned from the array accelerator board that DAAD does not recognize.

Call your Authorized Compaq Reseller for the latest version of DAAD.

### Warning bit detected

A monitor and performance threshold violation may have occurred. The status of a logical drive may not be OK.

Check the other error messages for an indication of the problem.

### Wrong Accelerator

This could mean that either the board was replaced in the wrong slot or placed in a system that was previously configured with another board type. Included with this message is a message indicating the type of adapter sensed by DAAD and a message indicating the type of adapter last configured in EISA nonvolatile RAM.

Check the diagnosis screen for other error messages. Run the System Configuration Utility to update the system configuration.

## RAPID RECOVERY SERVICES

The Compaq ProLiant provides rapid recovery services for diagnosing and recovering from errors. These tools are available for local and remote diagnosis and recovery. The following topics are discussed here:

- Automatic Server Recovery-2 (ASR-2)
- Server Health Logs
- System Configuration History Files

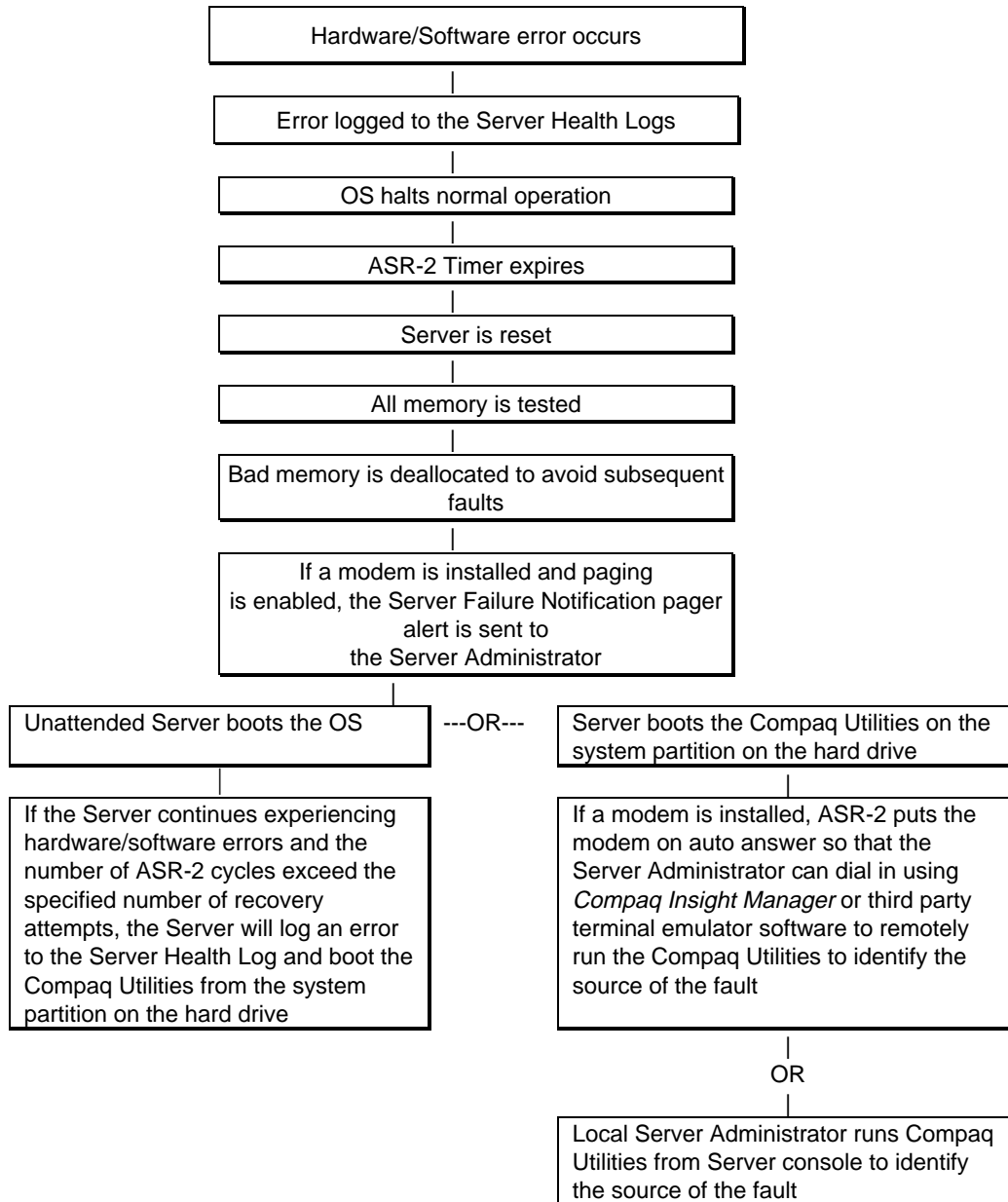
**NOTE:** Please refer to the Compaq ProLiant *On-line Help* for complete details and procedures about this diagnostic tool.

### Automatic Server Recovery-2

The Automatic Server Recovery-2 (ASR-2) feature can be optionally enabled to restart a Server after a critical hardware or software error has occurred. If a critical error occurs, the Server will record the error information in the Server Health Logs, reboot the system, and initiate a call to a pager. The system can be configured for either automatic recovery or for attended local or remote access to diagnostic and configuration tools.

**NOTE:** ASR-2 is available only under operating systems using the ASR-2 drivers provided by Compaq.

The following chart explains how ASR-2 works:



**Figure 3-1.** Automatic Server Recovery-2.

## Configuring the Server for Automatic Server Recovery-2 (ASR-2)

When setting up the Server to use Automatic Server Recovery-2 (ASR-2), you must set the ASR-2 Timer, select the pager number to call, specify how you want the Server to recover from critical system faults, and specify when to monitor. This selection process is accomplished through the SmartStart installation process and can be modified through the Compaq System Configuration Utility.

The ASR-2 depends on an operating system driver that routinely notifies the ASR-2 hardware that the system is operating properly. You should set the ASR-2 Timer to allow the ASR-2 to wait a reasonable period of time before resetting the system and activating the recovery process after a fault occurs. If the time between ASR-2 notifications by the driver exceeds the specified time period, it will assume a fault has occurred and initiate the recovery process.

For example, if the ASR-2 Timer is set to 10 minutes, the system will not reset the Server unless 10 minutes elapses with no notification from the driver that the system is operating properly.

You can select to be paged (modem required) and what mode the Server will be in when it restarts after a critical error. The following sections describe the different reboot options and the system requirements for each level.

### Unattended Recovery

For unattended recovery, ASR-2 will log the error information to the Critical Error Log, reset the Server, test all memory, automatically de-allocate any bad memory blocks found, page you (if modem is present and paging is selected), and attempt to reboot the operating system. Often the Server will restart successfully, making this the ideal choice for remote locations where trained service personnel are not immediately available.

The ASR-2 will only attempt the recovery process a limited number of times. If the Server continues to experience hardware/software errors and the number of recovery cycles exceed the retry limit, the Server will log an error to the Critical Error Log and continue to boot the Compaq Utilities from the hard drive.

The requirements to use this level of the ASR-2 feature are:

- Operating System with ASR-2 support
- ASR-2 configured to load the operating system after reboot
- Optional Hayes-compatible modem (only required for paging)

## Attended Recovery

For local or remote installations where it is desirable to supervise the recovery, ASR-2 will log the error information to the Critical Error Log, reset the Server, test all memory, automatically de-allocate any bad memory blocks found, page you, boot the Compaq Utilities from the hard drive, and place the modem in auto answer mode. These utilities are placed on a special system utilities partition on the hard drive during the system configuration process. If a modem with an auto-answer feature is installed, you can dial in and remotely diagnose or re configure the Server; otherwise, this can be done from the Server console. The requirements to use this level of the ASR-2 feature are:

- Operating System with ASR-2 support
- System Configuration Utility and Diagnostics Utility installed on the system partition of the hard drive
- ASR-2 configured to load the Compaq Utilities after reboot
- Optional Hayes-compatible modem with auto-answer feature (only required for remote operations and paging)

For remote operations, the administrator must have access to Compaq Insight Manager or a communications software package capable of terminal emulation to a local terminal with VT100 or ANSI terminal capabilities.

**NOTE:** If the remote site is using something other than VT100 or an ANSI terminal emulator, it is still possible to configure remotely as long as the package contains either an ANSI terminal or VT100 terminal emulator set for 8 data bits, 1 stop bit, and no parity. However, additional setup not outlined in this document may be required, and functionality may be reduced.

## ASR-2 Security

The standard Compaq ProLiant security password features function differently during Automatic Server Recovery-2 than during a typical system startup.

During ASR-2 the system will not prompt for the Power-On Password. This allows the ASR-2 to restart the Operating System or Compaq Utilities without user intervention.

To maintain system security, the Server should be set to boot in Network Server Mode (an option in the System Configuration Utility). This option ensures that the Server keyboard is locked until you enter the Keyboard Password.

You should also select an Administrator Password (an option in the System Configuration Utility). During attended ASR-2 (local or remote), you must enter this Administrator Password before any modifications can be made to the Server configuration.



## Server Health Logs

The Server Health Logs contain information to help identify and correct any Server failures and correlate hardware changes with Server failure. The Server Health Logs are stored in nonvolatile RAM and consist of the Critical Error Log and the Revision History Table.

If errors occur, information about the errors is automatically stored in the Critical Error Log.

Whenever boards or components (that support revision tracking) are updated to a new revision, the Revision History Table will be updated.

### Critical Error Log

The Critical Error Log records noncorrectable memory errors as well as catastrophic hardware and software errors that typically cause the system to fail. This information helps you quickly identify and correct the problem, minimizing downtime.

The log can be viewed through Inspect Utility, Diagnostics Utility, Compaq Insight Manager, or the optional Server Manager/R. The Diagnostics Utility either resolves the error or suggests corrective action.

The Critical Error Log identifies and records all the following errors. Each error type is briefly explained below. When any of these errors are encountered, you should run the Diagnostics Utility.

**Table 3-18**  
**Critical Error Log Error Messages**

<b>Error Message</b>	<b>Description</b>
<b>Automatic Server Recovery Base Memory Parity Error</b>	The system detected a data error in base memory following a reset due to the Automatic Server Recovery (ASR-2) Timer expiration.
<b>Automatic Server Recovery Extended Memory Parity Error</b>	The system detected a data error in extended memory following a reset due to the ASR-2 Timer expiration.
<b>Automatic Server Recovery Memory Parity Error</b>	The system ROM was unable to allocate enough memory to create a stack. Then, it was unable to put a message on the screen or continue booting the Server.
<b>Automatic Server Recovery Reset Limit Reached</b>	The maximum number of system resets due to the ASR-2 timer expiration has been reached, resulting in the loading of Compaq Utilities.
<b>Error Detected On Boot Up</b>	The Server detected an error during the Power-On Self-Test.

*Continued*

**Table 3-18 Critical Error Log Error Messages** *Continued*

<b>Error Message</b>	<b>Description</b>
<b>NMI - Expansion Board Error</b>	A board on the expansion bus indicated an error condition, resulting in a Server failure.
<b>NMI - Expansion Bus Master Time-Out</b>	A bus master type expansion board in the indicated slot did not release the bus after its maximum time, resulting in a Server failure.
<b>NMI - Expansion Bus Slave Time-Out</b>	A board on the expansion bus delayed a bus cycle beyond the maximum time, resulting in a Server failure.
<b>NMI - Fail-Safe Timer Expiration</b>	Software was unable to reset the system fail-safe timer, resulting in a Server failure.
<b>Processor Exception</b>	The indicated processor exception occurred.
<b>NMI - Processor Parity Error</b>	The processor detected a data error, resulting in a Server failure.
<b>Server Manager Failure</b>	An error occurred in the Server interface with the Server Manager/R.
<b>NMI - Software Generated Interrupt Detected Error</b>	Software indicated a system error, resulting in a Server failure.

### Revision History Table

Some errors can be resolved by reviewing changes to the Compaq ProLiant configuration. The Server has an Automatic Revision Tracking (ART) feature that helps you review recent changes to the Server's configuration.

One ART feature is the Revision History Table, which contains the hardware version number of the system board and any other EISA boards providing ART-compatible revision information. The Revision History is provided in the following format in Table 3-19.

**Table 3-19**  
**Revision History Format**

	<b>Values</b>
<b>Functional Revision Level</b>	A to BC
<b>Assembly Version</b>	1 = Original Assembly 2 = Second Generation Assembly 3 = Third Generation Assembly 4 = Fourth Generation Assembly

The Revision History Table is stored in nonvolatile RAM and is accessed through Diagnostics, Inspect, Compaq Insight Manager, and the optional Compaq Server Manager/R.

The Revision History Table feature allows precise identification of the components in a Server. The table is updated when the system ROM detects a board version change in an EISA expansion slot. The table also contains complete version information on the previous configuration. This feature allows correlation of hardware changes with Server failure. The following information is stored in the Revision History Table:

- Type of board (System, EISA, or PCI)
- Slot number
- Expansion Board ID
- Version

### System Configuration History Files

The System Configuration History Files, part of the ART feature, allow you to review modifications to the system configuration.

If a change has been made to the configuration file, the System Configuration Utility will keep a history of the system configuration file. The System Configuration Utility stores the three most recent configurations.

The most recent configuration of the System Configuration History Log can be displayed and printed using the Inspect Utility. All three versions can be printed for historical purposes or reinstalled through the Maintain Configuration Utility feature of the System Configuration Utility.

### ROMPaq

The use of flash ROM in the Compaq ProLiant and in certain options controllers allows the firmware (BIOS) to be upgraded with system or option ROMPaq utilities. To upgrade the ROM, insert the ROMPaq diskette into drive A and cold boot the system. The ROMPaq utility will then check the system and provide a choice (if more than one exists) of ROM revisions that the system can be upgraded to. This procedure is the same for both system and option ROMPaq utilities.



**CAUTION:** Do not turn the power off during a firmware upgrade. A loss of power during upgrade may corrupt the upgrade.

---

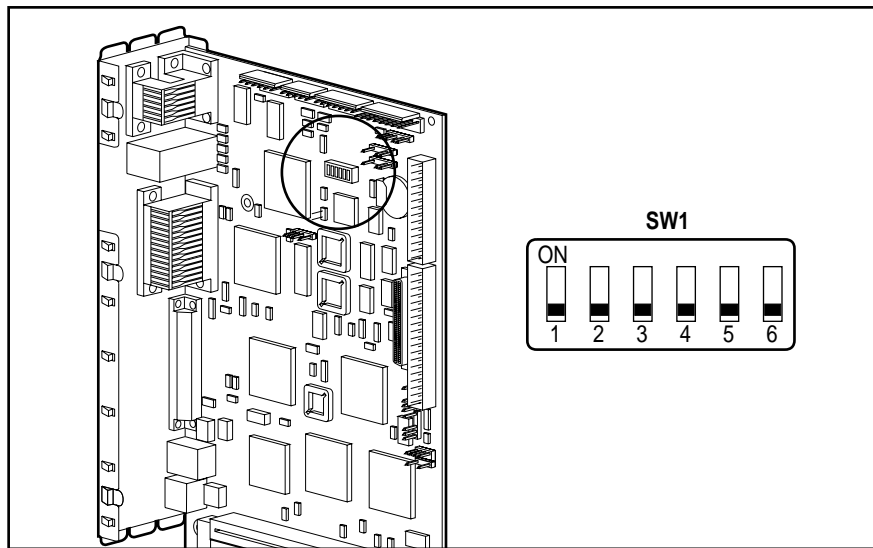
## SWITCH AND JUMPER INFORMATION

This chapter provides switch and jumper information for the Compaq ProLiant 1500 Server.

### SYSTEM BOARD

Switch locations on the system board are shown in the figure below.

Switch SW1 is a six-position switch bank (S1-S6), which controls the security features and configuration of the computer .



**Figure 4-1.** Locations of ProLiant 1500 System Board Switches

## System Maintenance Switch SW1

The following table defines the function for each switch setting of SW1. The default positions are shown with an asterisk.

**Table 4-1**  
**System Maintenance Switch Settings - SW1**

Switch	Function	Set to ON	Set to OFF
1	<b>Video Disable</b>	Disables the integrated video controller.	<i>Default.</i> Enables the integrated video controller.
2	<b>Configuration Lock</b>	Disables the configuration in non-volatile memory.	<i>Default.</i> Enables the configuration in non-volatile memory.
3	<b>Rack-Mountable Chassis</b>	System is installed in a rack chassis.	<i>Default.</i> System is installed in a tower chassis.
4	<b>Diskette Boot Override</b>	Enables system booting from the diskette drive regardless of the configuration setting.	<i>Default.</i> System booting from the diskette drive is controlled by the configuration settings.
5	<b>Power-On Password</b>	Clears passwords.	<i>Default.</i> System booting is password protected if a password is set.
6	<b>Configuration Memory Clear</b>	Clears the configuration memory.	<i>Default.</i>

## SCSI DEVICES

The Pluggable Fast-Wide SCSI-2 hard drives automatically set the SCSI ID when plugged into the ProLiant 1500 Server. If the drives are part of a fault tolerant configuration, the replaced drive will automatically begin rebuilding when it is installed.

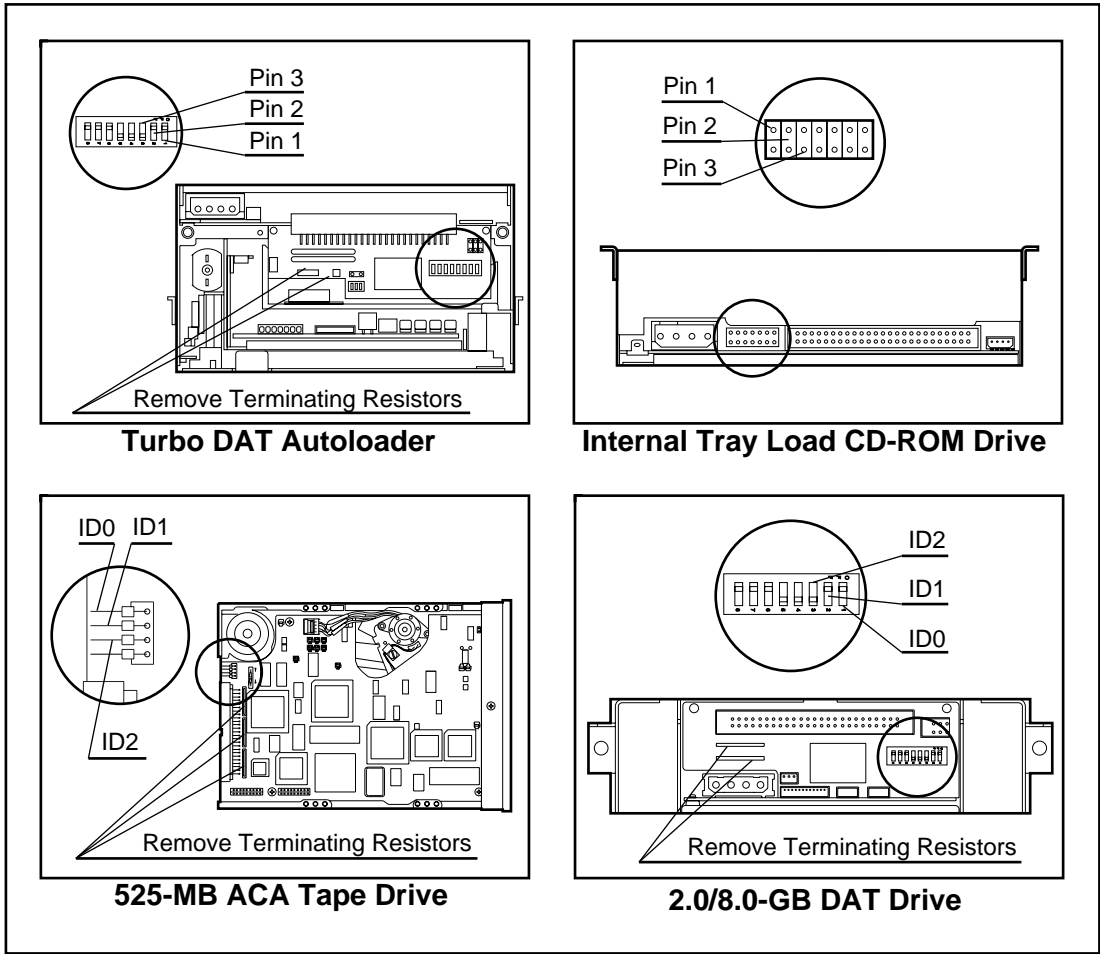
**NOTE:** It is not necessary to set the SCSI ID jumpers on a replacement drive. The SCSI ID is set automatically by the backplane board when the drive is installed.

The 32-Bit Fast-Wide SCSI-2 Controller requires that a SCSI ID be set for each SCSI device. The SCSI ID is set by jumpers ID2, ID1, and ID0 located on each SCSI device. Table 4-4 shows the jumper settings for each SCSI ID and its recommended drive bay. Figure 4-3 shows the physical locations of jumpers ID2, ID1, and ID0 on supported options.

**Table 4-2  
Jumper Settings For SCSI ID**

Device in Drive Bay	SCSI ID	Pin 3 ID2	Pin 2 ID1	Pin 1 ID0
6	6	ON	ON	OFF
5	5	ON	OFF	ON

**NOTE:** SCSI ID's for bays 0-4 are preset to 0-4 respectively. No two drives can have the same SCSI ID.



**Figure 4-2.** Supported SCSI Options Jumper Locations

## COMPAQ NETFLEX-2 CONTROLLER

The Compaq NetFlex-2 Controller has one jumper block which selects between Ethernet or Token Ring.

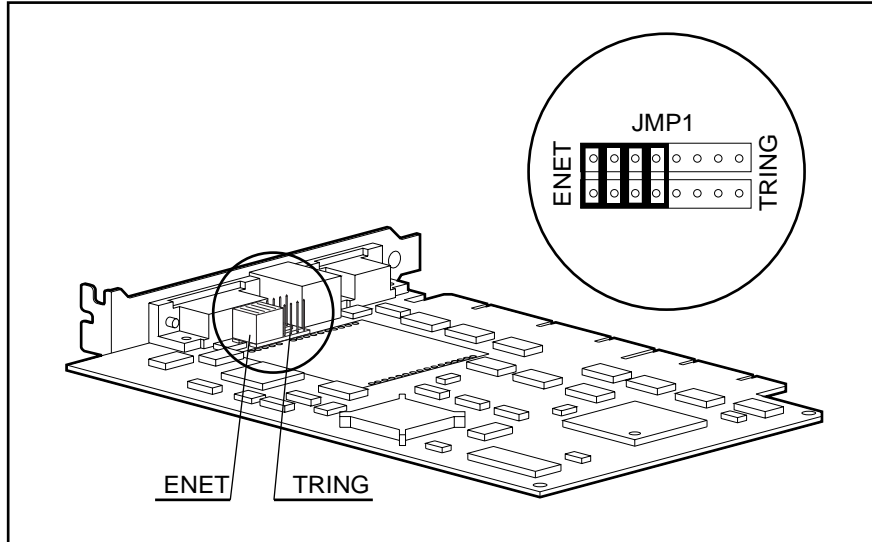


Figure 4-3. Location of 32-Bit NetFlex-2 Controller Jumpers for Ethernet

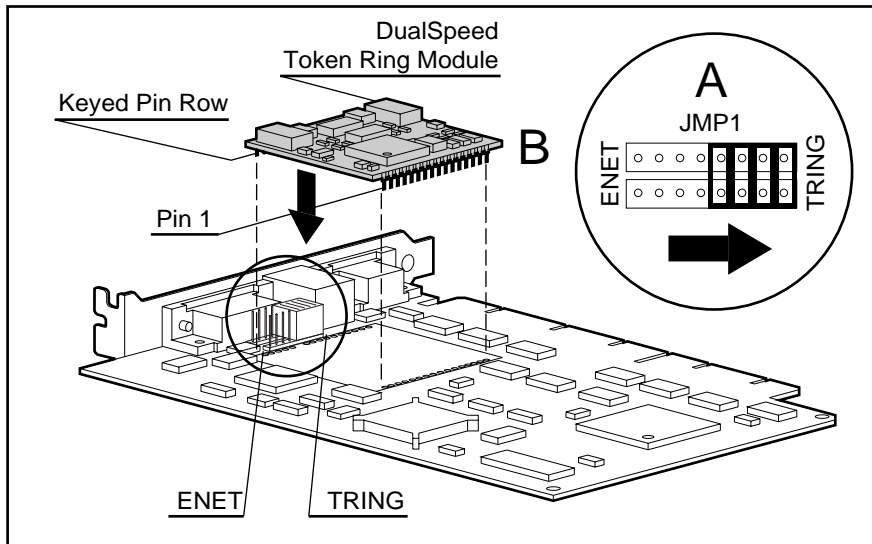


Figure 4-4. Location of 32-Bit NetFlex-2 Controller Jumpers for Token Ring

## **PHYSICAL AND OPERATING SPECIFICATIONS**

This section provides operating and performance specifications for the following Compaq components.

- System Unit
- Power Supply
- Hard Drives
- Diskette Drives
- CD-ROM Drives
- SIMMs
- Fast-SCSI-2 Controller
- Fast-Wide SCSI-2 Controller
- Drive Array Pairs
- NetFlex-2 ENET-TR Controller



**Table 5-1  
System Unit Specifications**

	<b>English</b>	<b>Metric</b>
<b>Dimensions</b>		
Height	25.80 in	65.3 cm
Depth	22.40 in	56.9 cm
Width (feet retracted)	8.75 in	22.2 cm
Width (feet extended)	16.15 in	41.0 cm
<b>Weight</b>		
Model 1/Enet	54.2 lb	24.6 kg
Model 1/TR	54.2 lb	24.6 kg
Model 2100, 4200A	59.8 lb	27.09 kg
<b>Input Requirements</b>		
Nominal Line Voltage	100-120 VAC	220-240 VAC
Range Line Voltage	90 to 132 VAC	180 to 270 VAC
Line Frequency	50-60 Hz	50-60 Hz
Rated Input Current	8/4 A	8/4 A
<b>Power Supply</b>		
Standard	325 W	325 W
Redundant	488 W	520 W
<b>Temperature Range:</b>		
Operating	50° to 104° F	10° to 40° C
Shipping	-22° to 140° F	-30° to 60° C
<b>Heat</b>	1502 BTU/hr	1502 BTU/hr
<b>Relative Humidity (non-condensing)</b>		
Operating	20% to 80%	20% to 80%
Non-operating	5% to 90%	5% to 90%
<b>Maximum Wet Bulb Temperature</b>	101.7° F	38.7° C

**Table 5-2  
Power Supply Specifications**

	English	Metric
<b>Input Specifications</b>		
Nominal Line Voltage	100 to 120 VAC	220 to 240 VAC
Range Input Line	90 to 132 VAC	180 to 270 VAC
Frequency Range	47 to 63 Hz	47 to 63 Hz
Power Factor	0.95	0.95
Input Power	480 W	480 W
Input Current	4.0 at 120 VAC	2.0 at 240 VAC
Inrush Current	80 A at 132 VAC (cold start)	80 A at 264 VAC (cold start)
Holdup Time	20 ms from zero crossing at 120 VAC	20 ms from zero crossing at 240 VAC
<b>General Specifications</b>		
Full Output Rating	To 40°C and 5,000 ft To 32°C and 10,000 ft (derate linearly)	
Minimum Load	4.5 A on + %V Output; .04A on 12V output	
<b>Ambient Temperature Range</b>		
Operating	50° to 122° F	10° to 40° C
Storage	-40° to 149° F	-40° to 65° C
<b>Dielectric Voltage Withstand</b>		
Input to Output	3000 VAC/ minute	
Input to Ground	1500 VAC/ minute	
<b>Safety Standard</b>		
	UL 1950; CSA 22.2 #950 or CSA 22.2 #234; TUV/VDE EN 60 950 (VDE0805/11.91); EMKO-TUE (74-SEC) 203/91	
<b>EMI</b>		
	3 dB below CISPR Publication 22 Class B; 6 dB below BMPT - AmtsblVfg 243/1991 limits; 6 dB below CFR 47, Part 15 Class B limits.	
<b>Input Transient Susceptibility</b>		
Common and Differential Mode (superimposed on AC line) Differential Mode	2500 V, 1 $\mu$ s, damped sinusoid 600 V, 10 $\mu$ s pulse 20% step change in AC input voltage	

**Table 5-3  
Redundant Power Supply Specifications**

	English	Metric
<b>Input Specifications</b>		
Nominal Line Voltage	100 to 120 VAC	220 to 240 VAC
Range Input Line	90 to 132 VAC	180 to 265 VAC
Frequency Range	47 to 63 Hz	47 to 63 Hz
Power Factor	0.95	0.95
Input Power	900 W	900 W
Input Current	9.0 at 120 VAC	4.5 at 240 VAC
Inrush Current	80 A at 132 VAC (cold start)	80 A at 264 VAC (cold start)
Holdup Time	20 ms from zero crossing at 120 VAC	20 ms from zero crossing at 240 VAC
<b>General Specifications</b>		
Full Output Rating	To 40°C and 5,000 ft To 32°C and 10,000 ft (derate linearly)	
Minimum Load	4.5 A on + %V Output; .04A on 12V output	
<b>Ambient Temperature Range</b>		
Operating	50° to 122° F	10° to 40° C
Storage	-40° to 149° F	-40° to 65° C
<b>Dielectric Voltage Withstand</b>		
Input to Output	3000 VAC/ minute	
Input to Ground	1500 VAC/ minute	
<b>Safety Standard</b>		
	UL 1950; CSA 22.2 #950 or CSA 22.2 #234; TUV/VDE EN 60 950 (VDE0805/11.91); EMKO-TUE (74-SEC) 203/91	
<b>EMI</b>		
	3 dB below CISPR Publication 22 Class B; 6 dB below BMPT - AmtsblVfg 243/1991 limits; 6 dB below CFR 47, Part 15 Class B limits.	
<b>Input Transient Susceptibility</b>		
Common and Differential Mode (superimposed on AC line) Differential Mode	2500 V, 1 $\mu$ s, damped sinusoid 600 V, 10 $\mu$ s pulse 20% step change in AC input voltage	

**Table 5-4  
SIMM Specifications**

<b>Size</b>	4, 8, 16, 32 MB
<b>Speed</b>	60, 70 ns
<b>Width</b>	32 Bits
<b>Upgrade Requirement</b>	Any matched pair of SIMMs

**NOTE:** The ProLiant 1500 Server must add system RAM in matched pairs, SIMMs must be the same size and speed. SIMM modules must be 60- or 70-ns. **Do not install 80-ns SIMMs in the server.** Use Compaq SIMMs or JEDEC-compliant SIMMs that conform to this parity scheme only.

**Table 5-5  
Internal Diskette Drives**

	<b>1.44-MB (standard)</b>	<b>1.2-MB (optional)</b>
<b>Size</b>	3 1/2-In	5 1/4-In
<b>LED Indicators (front panel)</b>	Green	Green
<b>Read/Write Capacity per Diskette (high/low density)</b>	1.44 MB/720 KB	1.2 MB/360 KB
<b>Drive Supported</b>	One	One
<b>Drive Height</b>	One-third	One-third
<b>Drive Rotation (rpm)</b>	300	360
<b>Transfer Rate bits/sec (high/low)</b>	500 K/250 K	500 K/300 K
<b>Bytes/Sector</b>	512	512
<b>Sectors/Track (high/low)</b>	18/9	15/9
<b>Tracks/Side (high/low)</b>	80/80	80/40
<b>Access Times:</b>		
Track-to-Track (high/low)	3 ms/6 ms	3 ms/10 ms
Average (high/low)	169/94 ms	148.3 ms/95ms
Settling Time	15 ms	15 ms
Latency Average	100 ms	84 ms
<b>Cylinders (high/low)</b>	80/80	80/40
<b>Read/Write Heads</b>	Two	Two

**Table 5-6**  
**CD-ROM Specifications**

<b>Capacity</b>	680 MB or greater, dependent on disc format
<b>Data Transfer Rate</b>	
Sustained	300 or 150 Kbytes/sec
Asynchronous	2.5 MB/sec
Synchronous	4.0 MB/sec
<b>Access Times</b>	
Full Stroke	520 ms
One-Third Stroke	290 ms
<b>Cache/Buffer</b>	256 Kbytes (minimum)
<b>Audio Output Level</b>	
Line Out	0.7 VRMS at 47 kohms
Headphone	0.55 VRMS at 32 ohms (at maximum volume)
<b>Weight</b>	
External CD-ROM	6 lb 6 oz (2.85 kg)
Internal CD-ROM	1 lb 2 oz (1.25 kg)
<b>Dimensions</b> <b>(w x h x d, excluding projections)</b>	
External CD-ROM	7.01 x 1.9 x 1.3 in (17.8 x 4.9 x 3.3 cm)
Internal CD-ROM	5.9 x 1.7 x 0.8 in (14.9 x 4.3 x 2.1 cm)

**Table 5-7  
SMART SCSI Array Controller**

<b>Drives Supported</b>	Up to 14
<b>Data Transfer Method</b>	32-Bit Bus Master
<b>Maximum Transfer Rate on EISA Bus</b>	33 MB/s
<b>Simultaneous Drive Transfer Channels</b>	2
<b>Reliability Features</b>	
Drive Mirroring (RAID 1)	Yes
Data Guarding (RAID 2)	Yes
Distributing Data Guarding (RAID 5)	Yes
N+1 Distributed Data Guarding	Yes
On-Line Spare	Yes
Mirrored with Data Striping (RAID 10)	Yes
<b>Drive Failure Alert System</b>	LED Indicators
<b>Cache Memory for Accelerator</b>	4 MB Mirrored
<b>Batteries</b>	Yes
<b>Battery without Power</b>	Yes
<b>Charge</b>	Trickle

**Table 5-8  
550-Megabyte Pluggable Fast-SCSI-2 Drive Specifications**

<b>Capacity</b>	558.5 MB
<b>Block Size</b>	512 Bytes
<b>Interface</b>	Single-Ended Fast-SCSI-2
<b>Synchronous Transfer</b>	Up to 10 MB
<b>Buffer Size</b>	256 Kbytes
<b>RPM</b>	5400 rpm
<b>Average Access</b>	10.5 ms

**Table 5-9  
1.05-Gigabyte Pluggable Fast-SCSI-2 Drive Specifications**

<b>Capacity</b>	1050.1 MB
<b>Block Size</b>	512 Bytes
<b>Interface</b>	Single-Ended Fast-SCSI-2
<b>Synchronous Transfer</b>	Up to 10 MB
<b>Buffer Size</b>	256 Kbytes
<b>RPM</b>	5400 rpm
<b>Average Access</b>	10.5 ms

**Table 5-10**  
**2.1-Gigabyte Pluggable Drive Specifications**

	Fast-SCSI-2	Fast-Wide SCSI-2
<b>Capacity</b>	2104.3 MB	2104.3 MB
<b>Block Size</b>	512 Bytes	512 Bytes
<b>Interface</b>	Single-Ended Fast-SCSI-2	Single-Ended Fast-Wide SCSI-2
<b>Synchronous Transfer</b>	Up to 10 MB	Up to 20 MB
<b>Buffer Size</b>	256 Kbytes	256 Kbytes
<b>RPM</b>	6400 rpm	7200 rpm
<b>Average Access</b>	9.5 ms	9.0 ms

**Table 5-11**  
**4.3-Gigabyte Pluggable Drive Specifications**

	Fast-SCSI-2	Fast-Wide SCSI-2
<b>Capacity</b>	4293.6 MB	4293.6 MB
<b>Block Size</b>	512 Bytes	512 Bytes
<b>Interface</b>	Single-Ended Fast-SCSI-2	Single-Ended Fast-Wide SCSI-2
<b>Synchronous Transfer</b>	Up to 10 MB	Up to 20 MB
<b>Buffer Size</b>	512 Kbytes	512 Kbytes
<b>RPM</b>	7200 rpm	7200 rpm
<b>Average Access</b>	9.0 ms	9.0 ms

**Table 5-12**  
**Compaq Integrated Fast-Wide SCSI-2 Controller**

<b>Drives Supported</b>	Up to seven total (internal and external)
<b>Data Transfer Method</b>	32-bit bus master
<b>SCSI Channel Transfer Rate</b>	10 MB/sec
<b>Maximum Transfer Rate on EISA Bus</b>	33 MB/sec
<b>SCSI Termination</b>	Active termination
<b>SCSI Connectors</b>	1 external, 2 internal

**Table 5-13  
Compaq 32-Bit Fast-Wide SCSI-2 Controller**

<b>Dimensions</b>	<b>English</b>	<b>Metric</b>
Height	4.5 in	11.43 cm
Depth	.375 in	.95 cm
Width	10.5 in	26.67 cm
<b>Total Weight</b>	7.13 oz	205 g
<b>Drives Supported</b>	Up to seven total (internal and external)	
<b>Data Transfer Method</b>	32-bit bus master	
<b>SCSI Channel Transfer Rate</b>	10 MB/sec	
<b>Maximum Transfer Rate on EISA Bus</b>	33 MB/sec	
<b>SCSI Termination</b>	Active termination	
<b>SCSI Connectors</b>	1 external, 2 internal	

**Table 5-14  
Compaq Integrated Fast-SCSI-2 Controller**

<b>Drives Supported</b>	Up to seven total (internal and external)	
<b>Data Transfer Method</b>	32-bit bus master	
<b>SCSI Channel Transfer Rate</b>	10 MB/sec	
<b>Maximum Transfer Rate on EISA Bus</b>	33 MB/sec	
<b>SCSI Termination</b>	Active termination	
<b>SCSI Connectors</b>	1 external, 2 internal	

**Table 5-15  
Compaq 32-Bit Fast-SCSI-2 Controller**

<b>Dimensions:</b>		
Height	4.5 in	11.43 cm
Depth	0.375 in	0.95 cm
Width	10.5 in	26.67 cm
Total Weight	7.13 oz	205 g
<b>Drives Supported</b>	Seven	
<b>Data Transfer Method</b>	32-bit bus master	
<b>SCSI Bus Transfer Rate (maximum)</b>	10 MB/sec	
<b>Maximum Transfer Rate on EISA Bus</b>	33 MB/sec	
<b>SCSI Termination</b>	Active termination	
<b>SCSI Connectors</b>	1 external, 2 internal	



**Table 5-16**  
**Compaq NetFlex-2 ENET-TR Controller**

<b>Dimensions</b>	<b>English</b>	<b>Metric</b>
Height	5.1 in	12.9 cm
Depth	7.4 in	18.8 cm
Width	.51 in	1.3 cm
<b>Total Weight</b>		
Ethernet Configuration	5.44 oz	150 g
Token Ring Configuration	5.76 oz	170 g
<b>Processor</b>	TI TMS380C26	
<b>Coprocessor</b>	TI Packet Blaster (TMS380FPA)	
<b>Data Transfer Method</b>	32-bit EISA bus master	
<b>Maximum Transfer Rate</b> on EISA bus	33 MB/sec	
<b>Standard Network Controller Configuration - Ethernet</b>		
<b>Meets IEEE 802.3 Specifications</b>		
Supports AUI (DB-15)		
Supports 10BaseT (RJ-45)		
Supports Optional AUI to BNC Adapter		
<b>Optional Network Controller Configuration - Token Ring</b>		
<b>Meets IEEE 802.5 Specifications on STP cable</b>		
Meets proposed specifications on STP cable		
Supports Token Ring Interface (4- or 16-megabit per second data transfer rates)		
Supports STP (DB-9)		
Supports UTP (RJ-45)		