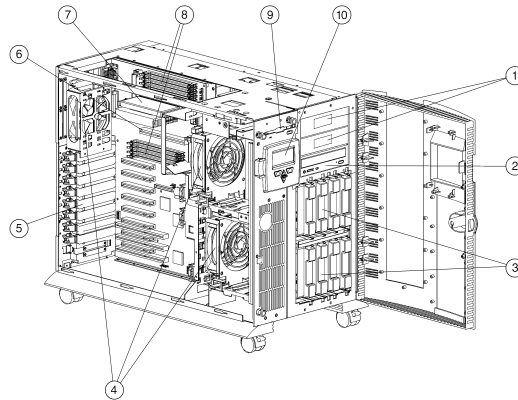


Overview

AT A GLANCE

- Highly Parallel System Architecture for improved system bandwidth
- Intel Pentium® II processor 400 MHz and 450 MHz (dual processor capability)
- 512-KB level 2 writeback cache per processor
- 100-MHz GTL Bus Design
- ECC-protected memory bus and cache
- 128-MB 100-MHz Registered ECC SDRAM (Model 1) or 256-MB (Model Array) memory expandable to 4 GB
- Five PCI and three shared PCI/ISA slots (eight total slots)
- Compaq NC3120 10/100 TX PCI UTP Controller (in a slot)
- Integrated Dual Channel Wide-Ultra SCSI-3 Adapter
- Internal mass storage capacity up to 254.8 GB with Wide-Ultra SCSI-3 (Simplex or optional Duplex drive cage. 218.4 GB hot pluggable with six 1.6" 36.4 GB Wide-Ultra SCSI-3 drives)
- Internal mass storage capacity up to 218.4 GB with Wide Ultra2/Ultra3 SCSI (Optional Ultra2/Ultra3 drive cage. 182 GB hot pluggable with ten 18.2 GB Wide Ultra2/Ultra3 SCSI drives)
- Standard Wide-Ultra SCSI-3 Drive cage (simplex – Model 1)
- Optional Wide-Ultra SCSI-3 Drive Cage – Duplex
- Optional Wide Ultra2/Ultra3 SCSI Drive Cage (simplex and duplex)
- Smart Array 3200 Controller in PCI slot (Model Array)
- I₂O Connector
- Integrated Remote Console (IRC)
- Automatic Server Recovery-2 (ASR-2)
- 750/500-Watt Hot Pluggable Power Supply with optional Hot Plug Redundant Power Supply (RPS)
- Compaq Insight Manager and SmartStart
- Protected by a three-year, on-site limited warranty and extended Pre-Failure Warranty that covers processors, memory and disk drives, as well as a wide range of Compaq Services — Certain restrictions and exclusions apply. Consult the Compaq Customer Support Center at 1-800-345-1518 for details. In Canada, consult the Product Information Center at 1-800-567-1616 for details.

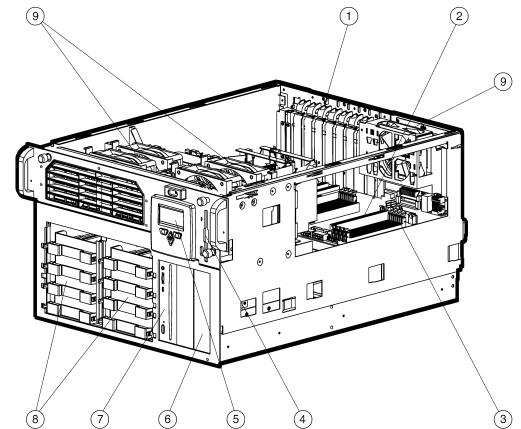


Tower Models

1. 5.25-inch Removable Media Bays
2. High Speed Max IDE CD-ROM
3. Hot Plug Drive Cage (Wide-Ultra SCSI-3 standard on Model 1, shown, Wide Ultra2/Ultra3 standard on Array models, not shown)
4. System Fans (Optional Redundant Fans available)
5. Eight total slots (5 PCI, 3 Shared PCI/ISA)
6. Processor Slot Number 2
7. Intel Pentium II Processor
8. System Board DIMM Memory Sockets
9. 3.5-inch Diskette Drive
10. Integrated Management Display (IMD) (optional for Model 1)

Rack Models

1. Eight total slots (5 PCI, 3 Shared PCI/ISA)
2. Intel Pentium II Processor
3. DIMM Memory Sockets
4. 3.5-inch Diskette Drive
5. Integrated Management Display (IMD)
6. 5.25-inch Removable Media Bays
7. 32X Max IDE CD-ROM
8. Hot Plug Drive Cage (Wide-Ultra SCSI-3 shown and standard on model 1, Wide Ultra2/Ultra3 not shown and standard on Array models)
9. System Fans (Optional redundant fans shown)



QUICKSPECS

Compaq ProLiant 3000
Pentium II Models

Standard Features

MODELS

Compaq ProLiant 3000
Pentium II Models
Available in multiple
configurations.

Processor – One of the following:

Intel Pentium II processor 450 MHz
Intel Pentium II processor 400 MHz

Cache Memory

512-KB level 2 writeback cache per processor

Upgradability

Module upgradable to dual processing

Memory – One of the following

Standard	128 MB (100 MHz Registered ECC SDRAM memory)
Maximum	4 GB

Standard	256 MB
Maximum	4 GB

Network Controller

Compaq NC3120 10/100 TX PCI UTP controller occupying one PCI slot

Expansion Slots

I/O (Total)	8,7 available
PCI	5,4
Shared PCI/ISA	3,3

Storage Controller

Integrated Dual Channel Wide-Ultra SCSI-3 Adapter

Storage

Diskette Drives	1.44 MB
CD-ROM	High Speed IDE CD-ROM Drive
Hard Drives	None
Maximum Internal Storage (Simplex Drive Cage)	254.8 GB with Wide-Ultra SCSI-3 (218.4 GB pluggable with six 1.6" 36.4-GB drives)
Maximum Internal Storage (Optional Duplex Drive Cage)	254.8 GB with Wide-Ultra SCSI-3 (218.4 GB pluggable with six 1.6" 36.4-GB drives)
Maximum Internal Storage (Optional Ultra2/Ultra3 Drive Cage)	218.4 GB with Wide Ultra2/Ultra3 SCSI (182 GB pluggable with ten 1" 18.2-GB drives)

Interfaces

Parallel	1
Serial	2
Pointing Device (Mouse)	1
Graphics	1
Hot Plug Keyboard	1
External Wide-Ultra SCSI-3	1
Network RJ-45	1

Graphics

Integrated 1024 x 768, 256 color, 1-MB video memory

Form Factor

Tower or Rack (7U)

Standard Features

Compaq Software

Compaq Insight Manager	The comprehensive system management tool that monitors the operation of Compaq servers, workstations and clients
Compaq SmartStart	The server configuration and software integration tool from Compaq
Array Configuration Utility (ACU) with Smart Array Controllers	Same easy to use yet powerful GUI configuration utility and easy to navigate wizards for all Smart Array Controllers

Manageability

Integrated Management Display (IMD) (Optional on Model 1's)
Automatic Server Recovery-2 (ASR-2)
Integrated Remote Console (IRC)
 Hardware Remote Console
 Full Remote Server Reboot Capability
 Reset and Failure Sequence Replay
 Host Hardware Independent
 Operating System Independent
Server Health Logging
Revision History Table
Automatic Revision Tracking
Drive Parameter Tracking (with Smart Array Controller)
Dynamic Sector Repairing (with Smart Array Controller)
Off-Line Backup Processor capability (optional in Canada)
Pre-Failure Warranty (covers processors, hard drives and memory)
Redundant Fan Support

Security

Power-on password
Hot plug keyboard password
Diskette drive control
Diskette boot control
QuickLock, QuickBlank, Network Server Mode
Parallel and serial interface control
Administrator's password
Disk configuration lock

Power Supply

750/500-Watt Hot Plug Power Supply

Required Cabling

For required cabling information, refer to the Compaq website at <http://www.compaq.com/products/servers/proliant3000> or <http://www.compaq.com/products/servers/proliant300r>.

Note: This web site available in English only.

OS Support

Microsoft Windows NT
Microsoft Windows 2000 Server
Novell NetWare
SCO UnixWare and OpenServer
IBM OS/2 Warp Family
Sun Solaris
Banyan VINES

Standard Features

Service and Support

Compaq Services provides a wide range of service offerings, including a three-year, limited warranty fully supported by a worldwide network of resellers and service providers, lifetime toll-free 7 x 24 hardware technical phone support, and Pre-Failure Warranty coverage of hard drives, memory and processors. Disaster recovery services are available through partnership with Comdisco.

Note: Certain restrictions and exclusions apply. Consult the Compaq Customer Support Center at 1-800-345-1518 for details. In Canada, consult the Product Information Center at 1-800-567-1616 for details.

QUICKSPECS

Compaq ProLiant 3000
Pentium II Models

Standard Features

Tower Models

6/450 Model Array
179720-xx2
(Includes: Smart Array 3200
Controller, Integrated
Management Display, and
Wide-Ultra SCSI-3 Drive Cage,
simplex)

6/450 Model 1
179720-xx2
(Includes Wide-Ultra SCSI-3 Drive
Cage, simplex)

6/400 Model 1
179700-xx1
(Includes Wide-Ultra SCSI-3 Drive
Cage, simplex)

Processor(s)	Intel Pentium II processor 450-MHz	Network Controller	NC3120 10/100 TX PCI UTP
Cache Memory	512-KB level 2 writeback cache per processor	Storage Controller	Integrated Dual Channel Wide-Ultra SCSI-3 Adapter
Memory	100-MHz registered ECC SDRAM	Internal Storage	254.8 GB max
Standard	256 MB	Optical Drive	High Speed IDE CD-ROM Drive
Maximum	4 GB	Form Factor	Tower

Processor(s)	Intel Pentium II processor 450-MHz	Network Controller	NC3120 10/100 TX PCI UTP
Cache Memory	512-KB level 2 writeback cache per processor	Storage Controller	Integrated Dual Channel Wide-Ultra SCSI-3 Adapter
Memory	100-MHz registered ECC SDRAM	Internal Storage	254.8 GB max
Standard	128 MB	Optical Drive	High Speed IDE CD-ROM Drive
Maximum	4 GB	Form Factor	Tower

Processor(s)	Intel Pentium II processor 400-MHz	Network Controller	NC3120 10/100 TX PCI UTP
Cache Memory	512-KB level 2 writeback cache per processor	Storage Controller	Integrated Dual Channel Wide-Ultra SCSI-3 Adapter
Memory	100-MHz registered ECC SDRAM	Internal Storage	254.8 GB max
Standard	128 MB	Optical Drive	High Speed IDE CD-ROM Drive
Maximum	4 GB	Form Factor	Tower

QUICKSPECS

Compaq ProLiant 3000
Pentium II Models

Standard Features

6/450 512K Model 1 Rack
179730-001
(Includes: Integrated Management Display, and Wide-Ultra SCSI-3 Drive Cage, simplex)

6/400 512K Model 1 Rack
179710-001
(Includes: Integrated Management Display, and Wide-Ultra SCSI-3 Drive Cage, simplex)

Country Code Key

Rack Models

Processor(s)	(1)Intel Pentium II processor 450-MHz	Network Controller	NC3120 10/100 TX PCI UTP
Cache Memory	512-KB level 2 writeback cache per processor	Storage Controller	Integrated Dual Channel Wide-Ultra SCSI-3 Adapter
Memory	100-MHz registered ECC SDRAM	Internal Storage	254.8 GB max
Standard	128 MB	Optical Drive	High Speed IDE CD-ROM Drive
Maximum	4 GB	Form Factor	Rack (7U)

Processor(s)	(1)Intel Pentium II processor 400-MHz	Network Controller	NC3120 10/100 TX PCI UTP
Cache Memory	512-KB level 2 writeback cache per processor	Storage Controller	Integrated Dual Channel Wide-Ultra SCSI-3 Adapter
Memory	100-MHz registered ECC SDRAM	Internal Storage	254.8 GB max
Standard	128 MB	Optical Drive	High Speed IDE CD-ROM Drive
Maximum	4 GB	Form Factor	Rack (7U)

XX=00	US
XX=02	Int'l
XX=29	Japan
XX=37	APD
XX=AA	PRC

Options

Processor

ProLiant 3000 6/450 512K Processor Kit	313618-B21
ProLiant 3000 6/400 512K Processor Kit	313612-B21

Memory (DIMMs)

512-MB 100MHz Registered ECC SDRAM Memory Kit	313617-B21
256-MB 100MHz Registered ECC SDRAM Memory Kit	313616-B21
128-MB 100MHz Registered ECC SDRAM Memory Kit	313615-B21
64-MB 100MHz Registered ECC SDRAM Memory Kit	313614-B21

Optical Drives

DVD-ROM Drive Option Kit (DVD-ROM Drive Option Kit only supported by Windows NT or Windows 2000 OS.)	388481-B21
---	------------

Internal Storage

Wide Ultra Simplex/Duplex Drive Cage Option Kit (Wide-Ultra SCSI-3 Drives only supported in the Simplex/Duplex Wide-Ultra Drive Cage Option Kit (328073-B21) when installing in the Array Models. (The Simplex Wide-Ultra Drive Cage ships standard in the Model 1).)	328073-B21
Wide Ultra2/Ultra3 Simplex Drive Cage Option Kit (10 X 1") (Wide Ultra2/Ultra3 SCSI Drives only supported in the Wide Ultra2/Ultra3 Simplex Drive cage (382157-B21) and the Wide Ultra2/Ultra3 Simplex/Duplex Drive cage (123135-B21) when installing in the Model 1. (The Simplex Wide Ultra2 Drive Cage ships standard in the Array Models.))	382157-B21
Wide Ultra2/Ultra3 Simplex/Duplex Drive Cage Option Kit (Wide Ultra2/Ultra3 SCSI Drives only supported in the Wide Ultra2/Ultra3 Simplex Drive cage (382157-B21) and the Wide Ultra2/Ultra3 Simplex/Duplex Drive cage (123135-B21) when installing in the Model 1. (The Simplex Wide Ultra2 Drive Cage ships standard in the Array Models.))	123135-B21

Hard Drives

(Caution – Check to make sure that you are using the right drive with the correct drive cage.)
Use the following Ultra2/Ultra3 drives with the 450-MHz Array model (179720-002), the optional Ultra2/Ultra3 drive cages (382157-B21 and 123135-B21) and the external 4214T StorageWorks enclosure (124875-001)

Wide Ultra3 SCSI – Universal Hot Plug

18.2-GB Wide Ultra3 SCSI 10,000 rpm Drive (1")	142673-B22
9.1-GB Wide Ultra3 SCSI 10,000 rpm Drive (1")	142671-B22

Note: Wide Ultra2/Ultra3 SCSI Drives only supported in the Wide Ultra2/Ultra3 Simplex Drive cage (382157-B21) and the Wide Ultra2/Ultra3 Simplex/Duplex Drive cage (123135-B21) when installing in the Model 1. (The Simplex Wide Ultra2 Drive Cage ships standard in the Array Models.)

Wide Ultra2 SCSI – Universal Hot Plug

18.2-GB Wide Ultra2 SCSI 10,000 rpm Drive (1")	128418-B22
18.2-GB Wide Ultra2 SCSI Drive (1")	388144-B22
9.1-GB Wide Ultra2 SCSI 10,000 rpm Drive (1")	328939-B22
9.1-GB Wide Ultra2 SCSI Drive (1")	123065-B22

Note: Wide Ultra2/Ultra3 SCSI Drives only supported in the Wide Ultra2/Ultra3 Simplex Drive cage (382157-B21) and the Wide Ultra2/Ultra3 Simplex/Duplex Drive cage (123135-B21) when installing in the Model 1. (The Simplex Wide Ultra2 Drive Cage ships standard in the Array Models.)

Wide Ultra3 SCSI – Non-Hot Plug

36.4-GB Wide Ultra3 SCSI 10,000 rpm Drive (1.6")	142676-B21
18.2-GB Wide Ultra3 SCSI 10,000 rpm Drive (1")	142674-B21
9.1-GB Wide Ultra3 SCSI 10,000 rpm Drive (1")	142672-B21

Note: The 64-Bit/66Mhz Dual Channel Wide Ultra3 SCSI Adapter (129803-B21) will default to Wide-Ultra2, Wide-Ultra SCSI-3, Fast-Wide SCSI-2 or Fast SCSI-2 when not used with the Wide Ultra3 hard drives.

Options

Hard Drives *(continued)*

Wide Ultra2 SCSI – Non-Hot Plug

18.2-GB Wide Ultra2 SCSI Drive (1")	388143-B21
9.1-GB Wide Ultra2 SCSI Drive (1")	349526-B21

Use the following Wide-Ultra drives with the 400MHz model 1 (179700-001), the 450-MHz model 1 (179720-001) the optional Wide Ultra drive cage (328073-B21) and the U series external storage enclosures

Wide-Ultra SCSI-3 – Hot Plug

36.4-GB Wide-Ultra SCSI-3 Drive 10,000 rpm (1.6")	128420-B21
36.4-GB Wide-Ultra SCSI-3 Drive (1.6")	400740-B21
18.2-GB Wide-Ultra SCSI-3 10,000 rpm Drive (1")	128417-B21
18.2-GB Wide-Ultra SCSI-3 Drive (1")	400739-B21
9.1-GB Wide-Ultra SCSI-3 10,000 rpm Drive (1")	336357-B21
9.1-GB Wide-Ultra SCSI-3 Drive (1")	313706-B21

Note: Wide-Ultra SCSI-3 Drives only supported in the Simplex/Duplex Wide-Ultra Drive Cage Option Kit (328073-B21) when installing in the Array Models. (The Simplex Wide-Ultra Drive Cage ships standard in the Model 1).

Storage Controllers

Smart Array 431 Controller	127695-B21
Smart Array 431 Controller (Japan)	127695-291
Smart Array 221 Controller	388099-B21
Smart Array 221 Controller (Japan)	388099-291
Smart Array 3200 Controller	295643-B21
Smart Array 3200 Controller (Japan)	295643-291
Smart Array 4200 Controller	295636-B21
Smart Array 4200 Controller (Japan)	295636-291
64-bit Dual Channel Wide Ultra2 SCSI Adapter	348757-B21
64-bit Dual Channel Wide Ultra2 SCSI Adapter (Japan)	348757-291
64-Bit/66Mhz Dual Channel Wide Ultra3 SCSI Adapter	129803-B21
(The 64-Bit/66Mhz Dual Channel Wide Ultra3 SCSI Adapter (129803-xx1) will default to Wide-Ultra2, Wide-Ultra SCSI-3, Fast-Wide SCSI-2 or Fast SCSI-2 when not used with the Wide Ultra3 hard drives.)	
64-Bit/66Mhz Dual Channel Wide Ultra3 SCSI Adapter (Japan)	129803-291
(The 64-Bit/66Mhz Dual Channel Wide Ultra3 SCSI Adapter (129803-xx1) will default to Wide-Ultra2, Wide-Ultra SCSI-3, Fast-Wide SCSI-2 or Fast SCSI-2 when not used with the Wide Ultra3 hard drives.)	
64-Bit/66Mhz Single Channel Wide Ultra3 SCSI Adapter	154457-B21
(The 64-Bit/66Mhz Single Channel Wide Ultra3 SCSI Adapter (154457-xx1) will default to Wide-Ultra2, Wide-Ultra SCSI-3, Fast-Wide SCSI-2 or Fast SCSI-2 when not used with the Wide Ultra3 hard drives.)	
64-Bit/66Mhz Single Channel Wide Ultra3 SCSI Adapter	154457-291
(The 64-Bit/66Mhz Single Channel Wide Ultra3 SCSI Adapter (154457-xx1) will default to Wide-Ultra2, Wide-Ultra SCSI-3, Fast-Wide SCSI-2 or Fast SCSI-2 when not used with the Wide Ultra3 hard drives.)	
Wide-Ultra SCSI-3 Adapter	272514-001

Options

Communications

Compaq NC3122 Fast Ethernet NIC PCI Dual 10/100	317450-B21
Compaq NC3131 Fast Ethernet NIC 64 PCI Dual Base 10/100	338456-B21
Compaq NC3132 Fast Ethernet Module Dual 10/100 Upgrade Module for NC3131	338456-B22
Compaq NC6132 Gigabit Module 1000 SX Upgrade Module for NC3131	338456-B23
Compaq NC6133 Gigabit Module 1000LX Upgrade Module for NC3131	338456-B24
Compaq NC3133 Fast Ethernet Module 100FX Upgrade Module for NC3131	338456-B25
Compaq NC6134 Gigabit NIC 64 PCI 1000SX	174818-B21
Compaq NC3123 Fast Ethernet NIC PCI 10/100 WOL	174830-B21
Compaq 100 FDDI PCI SAS Fibre-SC Controller	242505-001
Compaq 100 FDDI PCI SAS UTP Controller	242507-001
Compaq 100 FDDI PCI DAS Fibre-SC Controller	242509-001
Compaq 100 FDDI PCI DAS UTP Controller	242511-001
Compaq 100 FDDI PCI SAS Fibre-MIC Controller	287728-001
Compaq NC4621 Token Ring NIC PCI 4/16 WOL	379956-B21
IBM 16/4 Token Ring PCI Special	133749-B21
Compaq 56K ISA Fax Modem v.90	294900-002
ServerNet PCI Adapter	309833-B22
4M Cable	309834-B23
30M Cable	308934-B22

Internal Tape Drives

Internal 20/40-GB DAT DDS-4 Tape Drive	157769-B21
Internal 12/24-GB DAT Drive (Opal)	295513-B22
Internal 12/24-GB DAT Drive (Opal) (Japan)	295513-292
Internal 4/8-GB DAT Drive (Opal)	295353-B22
Internal 4/8-GB DAT Drive (Opal) (Japan)	295353-292
Internal 4/8-GB SLR Drive (Opal)	295480-B22
Internal 4/8-GB SLR Drive (Opal) (Japan)	295480-292
Internal 35/70-GB DLT Drive	242520-B21
Internal 35/70-GB DLT Drive (Japan)	242520-291
Internal 20/40-GB DLT Drive (Opal)	340743-B22
Internal 20/40-GB DLT Drive (Opal) (Japan)	340743-292
Internal AIT 50-GB Tape Drive	157766-B21
Internal AIT 35-GB Tape Drive	388504-B21
20/40-GB DAT 8 Cassette Autoloader - Internal	166504-B21
12/24-GB DAT DDS-3 8 Cassette autoloader (internal)	103549-B21
4-GB DDS-2 DAT Cassette	137611-001
DDS-4 Media (10 pack)	152842-001
12/24-GB DDS-3 DAT 8 Cassette Pre-Filled Magazine (7 data cassettes, 1 cleaning cassette)	134117-B21
20/40-GB DAT 8 Cassette Magazine w/Media	171532-B21
12-GB DDS-3 DAT Cassette (10 pack)	295515-B21
DAT Cleaning Cassette	242781-001
AIT 50-GB Data Cassette (5 pack)	152841-001
AIT 35-GB Data Cassette (5 pack)	402371-B21
AIT Cleaning Cassette	402374-B21

QUICKSPECS

Compaq ProLiant 3000
Pentium II Models

Options

Redundant Options

Redundant Fan Kit	306558-B21
Redundant Fan Kit (Japan)	306558-291
Compaq Hot Plug Redundant Power Supply (The Compaq Hot Plug Redundant Power Supply (306592-xx1) ships standard with the ProLiant 3000. A second one is required for redundancy.)	306592-B21
Compaq Hot Plug Redundant Power Supply (Japan) (The Compaq Hot Plug Redundant Power Supply (306592-xx1) ships standard with the ProLiant 3000. A second one is required for redundancy.)	306592-291

Management Options

Integrated Management Display (Beach Gray)	264377-B23
Integrated Management Display Option (Opal)	127409-B21
Compaq Remote Insight Lights-Out Edition	157866-001
Compaq Remote Insight Lights-Out Edition (EURO)	157866-021
Compaq Remote Insight Lights-Out Edition (APD, Japan)	157866-371
Compaq Remote Insight (PCI) LAN + NA Modem	294013-002
Compaq Remote Insight Board (PCI) LAN/Serial without modem	294013-B24
Compaq Remote Insight Board (PCI) LAN only	294013-B25

Monitors

TFT8020 18" Flat Panel Monitor (Opal)	326100-001
TFT8020 18" Flat Panel Monitor (Carbon)	159244-001
TFT8020 18" Flat Panel Monitor (Opal, bulk pack 2 monitor heads per box)	173610-001
TFT8000 (carbon, no protective cover)	307932-001
TFT8000 (opal, no protective cover)	307906-001
TFT8000 (carbon, with protective cover)	307935-001
TFT8000 (opal, with protective cover)	307931-001
TFT5010 15" Flat Panel Monitor (Opal)	104741-001
TFT5010 15" Flat Panel Monitor (Carbon)	154486-001
TFT5000S Flat Panel Color Monitor	122729-001
P1610 Color	305708-001
P1100 Color	325606-001
P900 Color	386326-001
P700 Color	380207-001
V1100 Color	386472-001
V700 Color (opal)	325800-001
V700 Color (carbon)	325800-002
V500 Color	325900-001
S910 Color	138485-001
S710 Color	152991-001
S510 Color	168636-001

External Tape Drives

External 20/40-GB DAT DDS-4 Tape Drive	157770-001
External 20/40-GB DAT DDS-4 Tape Drive (Int'l)	157770-B31
External 20/40-GB DAT DDS-4 Tape Drive (Japan)	157770-291
External 35/70-GB DLT Drive	242521-B21
External 35/70-GB DLT Drive (Japan)	242521-291
External 20/40-GB DLT Drive (Opal)	340744-B22
External 20/40-GB DLT Drive (Opal) (Japan)	340744-292

Options

External Tape Drives *(continued)*

External AIT 50-GB Tape Drive	157767-001
External AIT 50-GB Tape Drive (Int'l)	157767-B31
External AIT 50-GB Tape Drive (Japan)	157767-291
External AIT 35-GB Tape Drive	388507-001
External AIT 35-GB Tape Drive (Int'l)	388507-B31
External AIT 35-GB Tape Drive (Japan)	388507-291
20/40-GB DAT 8 Cassette Autoloader - External	166505-001
20/40-GB DAT 8 Cassette Autoloader - External (Int'l)	166505-B31
20/40-GB DAT 8 Cassette Autoloader - External (Japan)	166505-291
12/24-GB DAT DDS-3 8 Cassette autoloader (external)	110946-001
4-GB DDS-2 DAT Cassette	137611-001
DDS-4 Media (10 pack)	152842-001
12/24-GB DDS-3 DAT 8 Cassette Pre-Filled Magazine (7 data cassettes, 1 cleaning cassette)	134117-B21
20/40-GB DAT 8 Cassette Magazine w/Media	171532-B21
12-GB DDS-3 DAT Cassette (10 pack)	295515-B21
DAT Cleaning Cassette	242781-001
AIT 50-GB Data Cassette (5 pack)	152841-001
AIT 35-GB Data Cassette (5 pack)	402371-B21
AIT Cleaning Cassette	402374-B21

External Storage - Tower

Compaq StorageWorks Enclosure Model 4214T (tower)	124875-001
Compaq StorageWorks Enclosure Model 4214T (tower) (Int'l)	124875-B31
Compaq StorageWorks Enclosure Model 4214T (tower) (Japan)	124875-291
Note: The Compaq StorageWorks Enclosure 4200 Family support the Wide Ultra2/Ultra3 1" Hot Plug Hard Drives.	
SCSI Storage Expander II	332609-001
ProLiant Storage System Tower Model UE	348710-002
ProLiant Storage System Tower Model UE (Int'l)	348710-B31
ProLiant Storage System Tower Model UE (Japan)	348710-291
ProLiant Storage System Tower Model U2	304110-B22
ProLiant Storage System Tower Model U2 (Int'l)	304114-B32
ProLiant Storage System Tower Model U2 (Japan)	304114-292
Note: The Compaq ProLiant Storage System Models UE and U2 support the Wide-Ultra SCSI-3 Drives.	
ProLiant Storage System Model F1 or U1 to Model UE Upgrade Kit	348718-B21
ProLiant Storage System Model F1 or U1 to Model UE Upgrade Kit (Japan)	348718-291
ProLiant Storage System Model F2 or U2 to Model UE Upgrade Kit	348706-B21
ProLiant Storage System Model F2 or U2 to Model UE Upgrade Kit (Japan)	348706-291
Conversion Kit, SB to DB/U	304116-B21
Conversion Kit, DB to SB/U	304115-B21
ProLiant Storage System/U Redundant Power Supply Option	224206-001
ProLiant Storage System/U Redundant Power Supply Option (Int'l)	224214-001
StorageWorks Enclosure 4200 Redundant Power Supply Option	119826-B21
StorageWorks Enclosure 4200 Dual Bus Module Option	119829-B21
StorageWorks Enclosure Tower to Rack Conversion Kit	150213-B21

Options

External Storage – Rack

Compaq StorageWorks Enclosure Model 4214R (rack-mountable)	103381-001
Compaq StorageWorks Enclosure Model 4214R (rack-mountable) (Int'l)	103381-B31
Compaq StorageWorks Enclosure Model 4214R (rack-mountable) (Japan)	103381-291
Compaq StorageWorks Enclosure Model 4254R (rack-mountable)	138151-001
Compaq StorageWorks Enclosure Model 4254R (rack-mountable) (Int'l)	138151-B31
Compaq StorageWorks Enclosure Model 4254R (rack-mountable) (Japan)	138151-291
Note: The Compaq StorageWorks Enclosure 4200 Family support the Wide Ultra/Ultra 3 1" Hot Plug Hard Drives.	
Rack-Mountable SCSI Storage Expander II	332607-001
Rack-Mountable SCSI Storage Expander II (Int'l)	332607-B31
Rack-Mountable ProLiant Storage System Model UE	348700-001
Rack-Mountable ProLiant Storage System Model UE (Int'l)	348700-B31
Rack-Mountable ProLiant Storage System Model UE (Japan)	348700-291
Rack-Mountable ProLiant Storage System Model U2	304100-B22
Rack-Mountable ProLiant Storage System Model U2 (Int'l)	304104-B32
Rack-Mountable ProLiant Storage System Model U2 (Japan)	304104-292
Note: The Compaq ProLiant Storage System Family supports the Wide-Ultra SCSI-3 Hot Plug Hard Drives.	
ProLiant Storage System Model F1 or U1 to Model UE Upgrade Kit	348718-B21
ProLiant Storage System Model F1 or U1 to Model UE Upgrade Kit (Japan)	348718-291
ProLiant Storage System Model F2 or U2 to Model UE Upgrade Kit	348706-B21
ProLiant Storage System Model F2 or U2 to Model UE Upgrade Kit (Japan)	348706-291
ProLiant Storage System/U Redundant Power Supply Option	224206-B21
ProLiant Storage System/U Redundant Power Supply Option (Int'l)	224214-001
StorageWorks Enclosure 4200 Redundant Power Supply Option	119826-B21
StorageWorks Enclosure 4200 Dual Bus Module Option	119829-B21
StorageWorks Enclosure Tower to Rack Conversion Kit	150213-B21

Server Recovery

Recovery Server Option for ProLiant Storage System Model U1 & F1	304117-B21
ProLiant Storage System RSO/U Tower	387490-002
ProLiant Storage System RSO/U Tower (Int'l)	387490-B32
ProLiant Storage System RSO/U Tower (Japan)	387490-292
Rack-Mountable ProLiant Storage System RSO/U	387256-001
Rack-Mountable ProLiant Storage System RSO/U (Int'l)	387256-B31
Rack-Mountable ProLiant Storage System RSO/U (Japan)	387256-291

Note: The Compaq ProLiant Storage System RSO/U Models support the Wide-Ultra SCSI-3 Drives.

DLT Libraries

DLT Tape Array Model 0	199860-001
DLT Tape Array II Model 35/70-4 (U.S.) no software	295165-001
DLT Tape Array II Model 35/70-4 no software (Int'l)	295165-B31
DLT Library 15 Cartridge Model 35/70-1	350365-001
DLT Library 15 Cartridge Model 35/70-2 (Models not available in North America.)	350365-002
DLT Library 15 Cartridge Model 35/70-1 (Japan)	350365-291
DLT Library 15 Cartridge Model 35/70-2 (Japan)	350365-292
DLT Library 15 Cartridge Model 20/40-1	350362-001
DLT Library 15 Cartridge Model 20/40-2	350362-002
DLT Library 15 Cartridge Model 20/40-1 (Int'l)	350362-B31
DLT Library 15 Cartridge Model 20/40-1 (Japan)	350362-291

Options

DLT Libraries (continued)

DLT Library 15 Cartridge Model 20/40-2 (Int'l)	350362-B32
35/70 DLT Library Ready Drive	295557-B21
35/70 DLT Library Ready Drive (Japan)	295557-291
20/40 DLT Library Ready Drive	350364-B21
20/40 DLT Library Ready Drive (Japan)	350364-B21
DLT Library Tabletop Conversion Kit	295162-B21
TL891 DLT library unit, 1 drive Table Top	120875-B21
TL891 DLT library unit, 2 drive Table Top	120875-B22
TL891 DLT library unit, 1 drive Rack	120876-B21
TL891 DLT library unit, 2 drive Rack	120876-B22
TL881 DLT Library, 1 drive Table Top, FWD	128667-B21
TL881 DLT Library, 2 drive Table Top, FWD	128667-B22
TL881 DLT Library, 1 drive Table Top, FWSE	128668-B21
TL881 DLT Library, 2 drive Table Top, FWSE	128668-B22
TL881 DLT Library, 1 drive Rack	128669-B21
TL881 DLT Library, 2 drive Rack	128669-B22
MiniLibrary Data Unit	128670-B21
MiniLibrary Expansion Unit	120877-B21
Type IV DLT Drive Cassette (single)	295194-B21
Type IV DLT Drive Cassette (7 pack)	295192-B21
DLT Cleaning Cartridge	199704-001
DLT Tape Array Cable Kit	242427-001
DLT Magazine with five Type IV DLT Tape	295168-B21
10 Slot Magazine	120881-B21
Add-On 35/70-GB Drive for TL891	120878-B31
Add-On 20/40-GB Drive for TL881	128671-B21
MiniLibrary Pass Thru Mechanism Kit	120880-B21
MiniLibrary Table Top to Rack Mount Conversion Kit, Metric/RETMA racks	120882-B21
MiniLibrary Table Top to Rack Mount Conversion Kit, Compaq racks	120883-B21
DLT7000 drive upgrade kit	349351-B21

Note: The DLT 15 Cartridge Library Model 20/40 or Model 35/70 can be mounted in a Compaq rack. To use any model of the library on a tabletop, the customer would purchase one of the Library Models listed above and would also order the Tabletop Conversion Kit (295162-B21) to provide metal top and side covers. Refer to the Compaq DLT Libraries QuickSpec for details.

DLT Library Model 20/40 or 35/70 includes one 20/40 DLT data cartridge or one 35/70 DLT data cartridge and three empty 5-cartridge magazines. US 350362-001/-002 (1 drive/2 drive) includes U.S. power cord, US 295555-001/-002 (1 drive/2 drive) includes U.S. power cord, Int'l -B31/B32 (1 drive/2 drive) CTO power cord for country ordering the unit.

Note: The TL891 library unit (1 & 2 drive) or the TL881 library unit (1 & 2 drive) require country kits (349386-001, 349386-011, 349386-AR1, 349386-021, 349386-031, 349386-111, 349386-061, 349386-081 or 349386-291), SCSI Cable kits (328215-001, 328215-002, 328215-003 or 328215-004) and ProLiant Connectivity Kits (113395-001 or 113396-001). Please refer to the TL891/881 Automated DLT Tape Library Solution QuickSpecs for further details.

Options

RAID Array 4000

StorageWorks Raid Array 4000 (Tower)	241300-001
StorageWorks Raid Array 4100 (rack)	146013-001
StorageWorks Raid Array 4100 (rack) (Int'l)	146013-B31
StorageWorks Raid Array 4100 (rack) (Japan)	146013-291
Fibre Channel Storage Hub 12	295573-001
Fibre Channel Storage Hub 7	234453-001
Compaq Storage Hub 7 Universal Rack Mount Kit	136127-B21
Fibre Channel Storage Hub – 12 Port with 41U/42U Bracket	295573-B22
Compaq Storage Hub 12 Management Option	159262-B21
Fibre Channel Host Adapter Kit/P	223180-B21
StorageWorks Raid Array 4000 Redundant Array Controller	223187-B21
64-Bit/66MHz Fibre Channel Host Adapter	120186-B21
64-Bit/66MHz Fibre Channel Host Adapter (Japan)	120186-291
GBIC-SW Connector Kit (two each)	234459-B21
GBIC-LW Connector Kit (two each)	340412-B21
Fibre Channel Connection Kit, 3 SW GBIC, 2 Cables	380579-B21
Fibre Channel Connection Kit, 2 SW GBIC, 2 Cables	380596-B21
Fibre Channel Short Wave GBIC	380561-B21
Fibre Channel Long Wave GBIC	127508-B21
2m Multi-Mode Fibre Channel Cable	234457-B21
5m Multi-Mode Fibre Channel Cable	234457-B22
15m Multi-Mode Fibre Channel Cable	234457-B23
30m Multi-Mode Fibre Channel Cable	234457-B24
50m Multi-Mode Fibre Channel Cable	234457-B25
Raid Array 4000 Redundant Power Supply	224206-001
Raid Array 4000 Tower to Rack Conversion Kit	297162-B21
Raid Array 4100 Rack to Tower Conversion Kit	154253-B21
Upgrade Kit for ProLiant Storage System F and F1	296324-B21
Fibre Channel Troubleshooting Kit	234468-B21

RAID Array 7000

Departmental Subsystem

Dual controller configuration	DS-SWXRA-HA
Single controller configuration	DS-SWXRA-HC
Expansion building block	DS-SWXRA-HB

StorageWorks UltraSCSI Controllers

Redundant UltraSCSI controller with 64 MB cache (requires DS-HS35X-BC/BD battery)	DS-HSZ70-AH
64 MB expansion cache module (redundant controllers require equal amounts of cache)	DS-HSSIM-AB
Single replacement of additional cache battery	HS35X-BA
Dual replacement of additional cache battery	HS35X-BB

Note: Please see the [Compaq StorageWorks Fibre Channel RAID Array 8000, 7000 ESA 10000 or 12000 QuickSpecs](#) for FC Hubs, FC switches, platform software, host adapters, disks and options for complete solutions.

Options

RAID Array 8000

Departmental Pedestal Models

RA8000 FC Single Controller (Opal)	380560-B22
RA8000 FC Dual Controller (Opal)	380550-B22
Expansion Cabinet 24 slot (Opal)	380570-B22

Rack Mountable Models

RA8000 FC Single Controller	380670-B21
RA8000 FC Dual Controller	380550-B21
Expansion Cabinet 24 slot	380570-B21

Note: Please see the Compaq StorageWorks Fibre Channel RAID Array 8000, 7000 ESA 10000 or 12000 QuickSpecs for FC Hubs, FC switches, platform software, host adapters, disks and options for complete solutions.

Enterprise Storage Array 10000

High capacity and general business base unit configuration (60Hz)	DS-SWXES-AA
High capacity and general business base unit configuration (50Hz)	DS-SWXES-AB
High bandwidth base unit configuration (60Hz)	DS-SWXES-BA
High bandwidth base unit configuration (50Hz)	DS-SWXES-BB
Dual expansion configuration (60Hz)	DS-SWXES-CA
Dual expansion configuration (50Hz)	DS-SWXES-CB
Single expansion configuration (60Hz)	DS-SWXES-DA
Single expansion configuration (50Hz)	DS-SWXES-DB

Data Center Options

64 MB cache memory upgrade for DS-HSZ70-AH controller (60Hz)	DS-SWXRA-HA
--	-------------

Redundant power (requires all 3 parts)

180 watt power supply (60Hz)	DS-BA35X-HH
AC input box (60Hz)	DS-BA35X-HE
Power distribution unit (60Hz)	DS-SW6XP-AA
Power distribution unit (50Hz)	DS-SW6XP-AB

Note: Please see the Compaq StorageWorks Fibre Channel RAID Array 8000, 7000 ESA 10000 or 12000 QuickSpecs for FC Hubs, FC switches, platform software, host adapters, disks and options for complete solutions.

Enterprise Storage Array 12000

High-Capacity/General Business - Dual Controllers 48 slots, 60 Hz (Opal)	380600-002
High-Capacity/General Business - Dual Controllers 48 slots, 50 Hz (Opal)	380610-B22
High Bandwidth Quad controllers 48 slots, 60 Hz (Opal)	380620-002
High Bandwidth Quad controllers 48 slots, 50 Hz (Opal)	380630-B22
Single Expansion Dual controllers 24 slots, 25U extra cabinet space, 60 Hz (Opal)	380580-002
Single Expansion Dual controllers 24 slots, 25U extra cabinet space, 50 Hz (Opal)	380590-B22
Expansion enclosure 48 slots, 60 Hz (Opal)	380640-002
Expansion enclosure 48 slots, 50 Hz (Opal)	380650-B22

Note: Please see the Compaq StorageWorks Fibre Channel RAID Array 8000, 7000 ESA 10000 or 12000 QuickSpecs for FC Hubs, FC switches, platform software, host adapters, disks and options for complete solutions.

QUICKSPECS

Compaq ProLiant 3000
Pentium II Models

Options

StorageWorks Modular Array 8000/Enterprise Modular Array 12000

EMA12000 D14 60Hz	175990-B21
EMA12000 D14 50Hz	175990-B22
EMA12000 S14 60Hz	175991-B21
EMA12000 S14 50Hz	175991-B22
MA8000 60Hz	175992-B21
MA8000 50Hz	175992-B22
EMA12000 Blue 60Hz	175993-B21
EMA12000 Blue 50Hz	175993-B22

Note: Options include controller, solution kits, ACS. MA8000/EMA12000 includes controller shelf, drive shelves and cabinet. Packaging upgrade to RA8000/ESA12000.

Note: Please see the Compaq StorageWorks MA8000/EMA12000 QuickSpecs for FC Hubs, FC switches, platform software, host adapters, disks and options for complete solutions.

StorageWorks Options

Fibre Channel Tape Controller – II	152975-001
Fibre Channel Tape Controller – II (Int'l)	152975-B31
Fibre Channel Tape Controller – II (Japan)	152975-291
Fibre Channel Storage Switch 16	380578-B21
Fibre Channel Storage Switch 8	380591-B21
Fibre Channel SAN Switch/8 with Fabric Operating Software	158222-B21
Fibre Channel SAN Switch/16 with Fabric Operating Software	158223-B21
F200 Clustering Kit	380357-B21

External Storage

Compaq StorageWorks Enclosure Model 4214T (tower) (The Compaq StorageWorks enclosure 4200 Family only supports the Wide Ultra2/Ultra3 1" hot pluggable hard drives.)	124875-001
SCSI Storage Expander II	332609-001
ProLiant Tower Storage System Model UE	348710-002
ProLiant Tower Storage System Model U2	304110-B22
ProLiant Storage System Model F1 or U1 to Model UE Upgrade Kit	348718-B21
ProLiant Storage System Model F2 or U2 to Model UE Upgrade Kit	348706-B21
Conversion Kit, SB to DB/U	304116-B21
Conversion Kit, DB to SB/U	304115-B21
ProLiant Storage System/U Redundant Power Supply Option	224206-001
StorageWorks Enclosure 4200 Redundant Power Supply Option	119826-B21
StorageWorks Enclosure 4200 Dual Bus Module Option	119829-B21
StorageWorks Enclosure Tower to Rack Conversion Kit	150213-B21

Uninterruptible Power Systems - Tower

UPS Model T1000 (100-127 volt)	242688-001
UPS Model T1000h (200-240 volt) (Int'l)	242688-002
UPS Model T1500 (100-127 volt)	242688-003
UPS Model T1500h (200-240 Volt) (Int'l)	242688-004
UPS Model T1500j (100-127 Volt) (Japan)	242688-293
UPS Model T2000 (100-127 volt)	242688-005
UPS Model T2000j (100-127 volt) (Japan)	242688-295
UPS Model T2400h-NA (200-240 volt)	242688-006
UPS Model T2400h (200-240 volt) (Int'l)	242688-007

Options

Uninterruptible Power Systems – Tower *(continued)*

Multi-Server UPS Card	123508-B21
Scalable UPS Card	123509-B21
SNMP-EN Adapter	347225-B21
High to Low Voltage Transformer (250VA)	388643-B21

Uninterruptible Power Systems – Rack

Rack-Mountable UPS R1500 (100-127 VAC) (NA)	242704-001
Rack-Mountable UPS R1500h (200-230 VAC) (Int'l)	242704-002
Rack-Mountable UPS R1500j (100-127 VAC) (Japan)	242704-291
Rack-Mountable UPS R3000 100-127 VAC) (NA)	242705-001
Rack-Mountable UPS R3000h (208-240 VAC) (Int'l)	242705-002
Rack-Mountable UPS R3000h-NA (208-240 VAC) NDC (non-detached cord)	242705-003
Rack-Mountable UPS R3000j 100-127 VAC) (Japan)	242705-291
Rack-Mountable UPS R6000 (208 VAC default) (NA)	347207-001
Rack-Mountable UPS R6000 (230 VAC default) (Int'l)	347207-B31
Rack-Mountable UPS R6000 (200 VAC default) (Japan)	347207-291
R6000 Extended Runtime Module	347224-B21
SNMP-EN Adapter	347225-B21
High to Low Voltage Transformer (250VA)	388643-B21
Multi-Server UPS Card	123508-B21
Scalable UPS Card	123509-B21

*Please see the Compaq Rack Builder for configuration assistance at www.compaq.com/products/storageworks/rack_accessories/rackbuilderpro2.html or download it at www.compaq.com/support/files/server/us/download/6956.html
Please note these web sites are available in English only.*

Rack Conversion Kit

Compaq ProLiant 3000 Tower to Rack Conversion Kit	306557-B21
---	------------

Compaq Rack 9000 Series (Opal)

Compaq Rack 9142 (42U) – Pallet	120663-B21
Compaq Rack 9142 (42U) – Shock Pallet	120663-B22
Compaq Rack 9142 (42U) – Crated	120663-B23
Compaq Rack 9136 (36U) – Pallet	120664-B21
Compaq Rack 9136 (36U) – Shock Pallet	120664-B22
Compaq Rack 9136 (36U) – Crated	120664-B23
Compaq Rack 9122 (22U) – Pallet	120665-B21
Compaq Rack 9122 (22U) – Shock Pallet	120665-B22
Compaq Rack 9122 (22U) – Crated	120665-B23

Note: -B21 part numbers are for all Geos
-B22 part numbers are used to ship configured racks (by custom systems, VARs and Channels)
-B23 part numbers are used for air shipments

Compaq Rack 7000 Series (Beach Gray)

Compaq Rack 7142 (42U) (NA)	165753-001
Compaq Rack 7142 (42U) (Air Shipment)	165753-002
Compaq Rack 7142 (42U) (Int'l)	165753-003
Compaq Rack 7142 (42U) (Japan)	165753-293
Compaq Rack 7122 (22U) (NA)	163747-001
Compaq Rack 7122 (22U) (Int'l)	163747-002
Compaq Rack 7122 (22U) (Japan)	163747-292

QUICKSPECS

Compaq ProLiant 3000
Pentium II Models

Options

Compaq Rack 4000 Series (Beach Gray)

Compaq Rack 4136 (36U) (NA)	303656-001
Compaq Rack 4136 (36U) (Air Shipment)	303656-B21
Compaq Rack 4136 (36U) (Int'l)	303656-B31

Rack Options for Compaq Rack 9000 Series

Baying Kit	120669-B21
9142 Side Panel Kit	120670-B21
9136 Side Panel Kit	120671-B21
Ballast Option Kit	120672-B21
Stabilizer Option Kit	120673-B21
Rack Rail Adapter Kit (25" depth)	120675-B21
Fan (110 VAC) Roof Mount	120677-B21
Fan (220 VAC) Roof Mount	120678-B21
Bustle Kit	120679-B21
Grounding Rack Option Kit	120682-B21

Rack Options for Compaq Rack 7000 Series

Rack Sidewall Kit (42U only)	165652-001
Rack Coupling Kit (42U only)	165664-001
Stabilizing Feet (42U only)	189907-001
High Air Flow Rack Door Insert for 7122	157847-B21
High Air Flow Rack Door Insert for 7142	327281-B21
High Air Flow Rack Door Insert for 7142 (6 pack)	327281-B22
Compaq Rack Extension Kit for 7142	154392-B21

Rack Options for Compaq Rack 4000 Series

Compaq Rack Frame 4136 (36U)	303668-001
Compaq Rack Frame 4136 (36U) (Air Shipment)	303668-B21
Compaq Rack Frame 4136 (36U) (Int'l)	303668-B31
Rack Sidewall Kit (36U only)	303658-B21
Rack Coupling Kit (36U only)	303657-B21
Stabilizing Feet (36U only)	303659-B21
Rack Frame 36U Front Door Kit	303669-B21
Rack Frame 36U Back Door Kit	303670-B21

Rack Options for Compaq Rack 4000, 7000 and 9000 Series

Sliding Shelf Kit	332564-B21
Monitor Utility Shelf	303606-B21
Rack Blanking Panel Kit (US) (Beach Gray)	169940-001
Rack Blanking Panel Kit (US) (Opal)	169940-B21
Compaq Networking Cable Management Kit	292407-B21
Compaq Networking Recessed Rail Management Kit	292406-B21
High Capacity Cable Management Arm Kit	124711-B21
Compaq Power Distribution Unit – Low Voltage PDU (NA)	295363-001
Compaq Power Distribution Unit – Low Voltage PDU (Japan)	295363-291
Compaq Power Distribution Unit – High Voltage PDU (NA)	295363-002
Compaq Power Distribution Unit – High Voltage PDUh-WW (Int'l)	295363-B21
Compaq Power Distribution Unit – High Voltage PDUh-NDC (non-detached cord) (Int'l)	295363-B32
Compaq Power Distribution Unit, 30A (NA only)	295363-003

Options

Rack Options for Compaq Rack 4000, 7000 and 9000 Series (continued)

Server Console Switch 1 x 2 port (100-230 VAC)	120206-001
Server Console Switch 1 x 2 port (100-230 VAC) (Int'l)	120206-B31
Server Console Switch 1 x 2 port (100-230 VAC) (Japan)	120206-291
Server Console Switch 1 x 4 port (100-230 VAC)	400336-001
Server Console Switch 1 x 4 port (100-230 VAC) (Int'l)	400336-B31
Server Console Switch 1 x 4 port (100-230 VAC) (Japan)	400336-291
Server Console Switch 1 x 8 port (100-230 VAC)	400337-001
Server Console Switch 1 x 8 port (100-230 VAC) (Int'l)	400337-B31
Server Console Switch 1 x 8 port (100-230 VAC) (Japan)	400337-291
Server Console Switch 2 x 8 port (100-230 VAC)	400338-001
Server Console Switch 2 x 8 port (100-230 VAC) (Int'l)	400338-B31
Server Console Switch 2 x 8 port (100-230 VAC) (Japan)	400338-291
Server Console Switch 2 x 8 port (48VDC)	400542-B21
CPU to Server Console Cable, 12'	110936-B21
CPU to Server Console Cable, 20'	110936-B22
CPU to Server Console Cable, 40'	110936-B23
CPU to Server Console Cable (Plenum Rated) 20'	149363-B21
CPU to Server Console Cable (Plenum Rated) 40'	149364-B21
Switch Box Connector Kit (115V)	144007-001
Switch Box Connector Kit (230V)	144007-002
Switch Box Connector Kit (high voltage) (Int'l)	144007-B33
Rack Internal Trackball Keyboard (Opal) (UK)	185152-036
Rack Internal Trackball Keyboard (Opal) (Germany)	185152-046
Rack Internal Trackball Keyboard (Opal) (France)	185152-056
Rack Internal Trackball Keyboard (Opal) (Italy)	185152-066
Rack Internal Trackball Keyboard (Opal) (Spain)	185152-076
Rack Internal Trackball Keyboard (Opal) (Denmark)	185152-086
Rack Internal Trackball Keyboard (Opal) (Norway)	185152-096
Rack Internal Trackball Keyboard (Opal) (Sweden/Finland)	185152-106
Rack Internal Trackball Keyboard (Opal) (Switzerland)	185152-116
Rack Internal Trackball Keyboard (Opal) (Portugal)	185152-136
Rack Internal Trackball Keyboard (Opal) (Belgium)	185152-186
Rack Internal Trackball Keyboard (Opal) (Japan)	185152-296
Rack Internal Trackball Keyboard (Opal) (US)	185152-406
Rack Internal Trackball Keyboard (Opal) (Int'l)	185152-B36
1U Rack Keyboard Drawer	338056-B21
Keyboard/Monitor/Mouse extension cables	169989-001

Rack Options for Third Party Cabinet Racks

Depth Adjustable Fixed Rails	332558-B21
------------------------------	------------

Other

Internal Ultra3 Cable Option Kit, NHP	166389-B21
Internal Ultra3 Cable Option Kit, HP	166390-B21

Options

Service Options

Hardware Services 4-Hour On-site Service

4-Hour On-site Service, 9-Hour x 5-Day Coverage, 3 Years (2-5-2 Part Number for US)	FM-MI4HR-36
4-Hour On-site Service, 9-Hour x 5-Day Coverage, 3 Years (2-5-2 Part Number for Canada)	FP-MI4HR-36
4-Hour On-site Service, 9-Hour x 5-Day Coverage, 3 Years (6-3 Part Number for US)	401783-002
4-Hour On-site Service, 9-Hour x 5-Day Coverage, 3 Years (6-3 Part Number for Canada)	401783-122
4-Hour On-site Service, 9-Hour x 5-Day Coverage, 3 Years (6-3 Part Number for EMEA)	324418-002
4-Hour On-site Service, 24-Hour x 7-Day Coverage, 3 Years (2-5-2 Part Number for US)	FM-MI724-36
4-Hour On-site Service, 24-Hour x 7-Day Coverage, 3 Years (2-5-2 Part Number for Canada)	FP-MI724-36
4-Hour On-site Service, 24-Hour x 7-Day Coverage, 3 Years (6-3 Part Number for US)	401782-002
4-Hour On-site Service, 24-Hour x 7-Day Coverage, 3 Years (6-3 Part Number for Canada)	401782-122
4-Hour On-site Service, 24-Hour x 7-Day Coverage, 3 Years (6-3 Part Number for EMEA)	376911-022

Installation & Start-up Services

Hardware Installation (2-5-2 Part Number for US)	FM-MIINS-IN
Hardware Installation (2-5-2 Part Number for Canada)	FP-MIINS-IN
Hardware Installation (6-3 Part Number for US)	401793-002
Hardware Installation (6-3 Part Number for Canada)	401793-122
Hardware Installation (6-3 Part Number for EMEA)	Quote
O/S & Hardware Installation (2-5-2 Part Number for US) (Hardware installation plus two days O/S start-up activity (install, configure, network access & orientation).)	FP-CXHSI-03
O/S & Hardware Installation (6-3 Part Number for US) (Hardware installation plus two days O/S start-up activity (install, configure, network access & orientation).)	160557-002
O/S & Hardware Installation (6-3 Part Number for EMEA) (Hardware installation plus two days O/S start-up activity (install, configure, network access & orientation).)	Quote

Business Solutions Priority Service Plan – Priority Level

5 x 9 4-hour H/W, 5 x 9 2-hour O/S (NT & NetWare), Three Years (2-5-2 Part Number for US)	FP-CX103-36
5 x 9 4-hour H/W, 5 x 9 2-hour O/S (NT & NetWare), Three Years (2-5-2 Part Number for Canada)	FP-CZ103-36
5 x 9 4-hour H/W, 5 x 9 2-hour O/S (NT & NetWare), Three Years (6-3 Part Number for US)	155325-002
5 x 9 4-hour H/W, 5 x 9 2-hour O/S (NT & NetWare), Three Years (6-3 Part Number for Canada)	155325-122
5 x 9 4-hour H/W, 5 x 9 2-hour O/S (NT & NetWare), Three Years (6-3 Part Number for EMEA)	118311-022

Business Solutions Priority Service Plan – Priority 24 Level

7 x 24 4-hour H/W, 7 x 24 2-hour O/S (NT & NetWare), Three years (2-5-2 Part Number for US)	FP-CX203-36
7 x 24 4-hour H/W, 7 x 24 2-hour O/S (NT & NetWare), Three years (6-3 Part Number for US)	155329-002
7 x 24 4-hour H/W, 7 x 24 2-hour O/S (NT & NetWare), Three years (6-3 Part Number for EMEA)	118317-022

Business Solutions Priority Service Plan – Priority Plus Level

7 x 24 4-hour H/W, 7 x 24 1-hour O/S (NT & NetWare), SPS account review, Three Years (2-5-2 Part Number for US)	FP-CX303-36
7 x 24 4-hour H/W, 7 x 24 1-hour O/S (NT & NetWare), SPS account review, Three Years (2-5-2 Part Number for Canada)	FP-CZ303-36
7 x 24 4-hour H/W, 7 x 24 1-hour O/S (NT & NetWare), SPS account review, Three Years (6-3 Part Number for US)	155333-002
7 x 24 4-hour H/W, 7 x 24 1-hour O/S (NT & NetWare), SPS account review, Three Years (6-3 Part Number for Canada)	155333-122

Options

Service Options *(continued)*

Business Solutions Priority Service Plan – Priority Premier Level

7 x 24 2-hour H/W, 7 x 24 1-hour O/S (NT & NetWare), SPS Account Review, Proactive Management Review, named S/w rep, Three Years (2-5-2 Part Number for US)	FP-CX503-36
7 x 24 2-hour H/W, 7 x 24 1-hour O/S (NT & NetWare), SPS Account Review, Proactive Management Review, named S/w rep, Three Years (2-5-2 Part Number for Canada)	FP-CZ503-36
7 x 24 2-hour H/W, 7 x 24 1-hour O/S (NT & NetWare), SPS Account Review, Proactive Management Review, named S/w rep, Three Years (6-3 Part Number for US)	155337-002
7 x 24 2-hour H/W, 7 x 24 1-hour O/S (NT & NetWare), SPS Account Review, Proactive Management Review, named S/w rep, Three Years (6-3 Part Number for Canada)	155337-122

Business Solutions Priority Service Plan – Priority Executive Premier Level

7 x 24 2-hour H/W, 7 x 24 30-minute O/S (NT & NetWare), SPS Account Review, Proactive Management Review, named S/w rep, Three Years (2-5-2 Part Number for US)	FP-CX703-36
7 x 24 2-hour H/W, 7 x 24 30-minute O/S (NT & NetWare), SPS Account Review, Proactive Management Review, named S/w rep, Three Years (2-5-2 Part Number for Canada)	FP-CZ703-36
7 x 24 2-hour H/W, 7 x 24 30-minute O/S (NT & NetWare), SPS Account Review, Proactive Management Review, named S/w rep, Three Years (6-3 Part Number for US)	155341-002
7 x 24 2-hour H/W, 7 x 24 30-minute O/S (NT & NetWare), SPS Account Review, Proactive Management Review, named S/w rep, Three Years (6-3 Part Number for Canada)	155341-122

Note: For more information, customer/resellers can contact www.Compaq.com/services.
Please note this web site is available in English only.

Memory

**Compaq ProLiant 3000
6/400 Model 1 & 6/450 Model 1**

STANDARD MEMORY

128-MB 100MHz Registered ECC SDRAM memory Standard

Standard	Slot							
	1	2	3	4	5	6	7	8
128 MB	128 MB	Empty	Empty	Empty	Empty	Empty	Empty	Empty

STANDARD MEMORY PLUS

OPTIONAL MEMORY

Support for up to 3712 MB of DIMM memory is available with the installation of optional 100-MHz Registered ECC SDRAM Memory Kits.

Up To	Slot							
	1	2	3	4	5	6	7	8
3712 MB	128 MB	512 MB	512 MB	512 MB	512 MB	512 MB	512 MB	512 MB

STANDARD MEMORY REPLACED WITH OPTIONAL MEMORY

Support for up to 4096 MB of DIMM memory is available with the removal of the standard 128-MB DIMM and the installation of optional 100-MHz Registered ECC SDRAM Memory Kits.

Up To	Slot							
	1	2	3	4	5	6	7	8
4096 MB	512 MB	512 MB	512 MB	512 MB	512 MB	512 MB	512 MB	512 MB

Following are memory options available from Compaq:

- 512-MB 100-MHz Registered ECC SDRAM Memory Kit 313617-B21
- 256-MB 100-MHz Registered ECC SDRAM Memory Kit 313616-B21
- 128-MB 100-MHz Registered ECC SDRAM Memory Kit 313615-B21
- 64-MB 100-MHz Registered ECC SDRAM Memory Kit 313614-B21

Memory

Compaq ProLiant 3000 6/450 Model Array

STANDARD MEMORY

256-MB 100MHz Registered ECC SDRAM Standard

Standard	Slot							
	1	2	3	4	5	6	7	8
256 MB	256 MB	Empty	Empty	Empty	Empty	Empty	Empty	Empty

STANDARD MEMORY PLUS OPTIONAL MEMORY

Support for up to 3840 MB of DIMM memory is available with the installation of optional 100-MHz Registered ECC SDRAM Memory Kits.

Up To	Slot							
	1	2	3	4	5	6	7	8
3840 MB	256 MB	512 MB	512 MB	512 MB	512 MB	512 MB	512 MB	512 MB

STANDARD MEMORY REPLACED WITH OPTIONAL MEMORY

Support for up to 4096 MB of DIMM memory is available with the removal of the standard 256-MB DIMM and the installation of optional 100-MHz Registered ECC SDRAM Memory Kits.

Up To	Slot							
	1	2	3	4	5	6	7	8
4096 MB	512 MB	512 MB	512 MB	512 MB	512 MB	512 MB	512 MB	512 MB

Following are memory options available from Compaq:

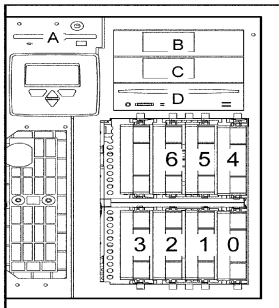
- 512-MB 100-MHz Registered ECC SDRAM Memory Kit 313617-B21
- 256-MB 100-MHz Registered ECC SDRAM Memory Kit 313616-B21
- 128-MB 100-MHz Registered ECC SDRAM Memory Kit 313615-B21
- 64-MB 100-MHz Registered ECC SDRAM Memory Kit 313614-B21

QUICKSPECS

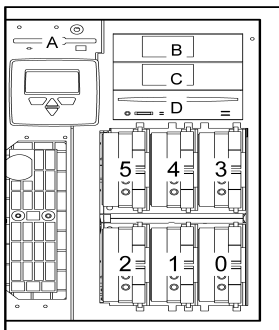
Compaq ProLiant 3000
Pentium II Models

Storage

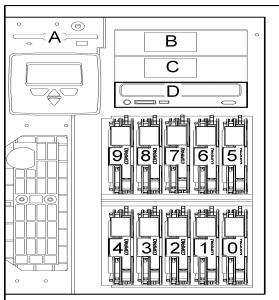
TOWER DRIVE SUPPORT



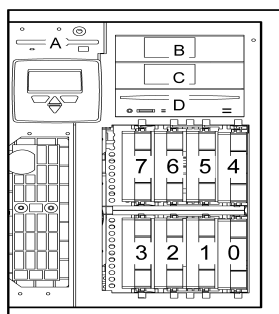
1-inch Drive Locations
(standard simplex drive cage)



1.6-inch Drive Locations
(standard drive cage)



1-inch Ultra2 Drive Locations
(optional drive cage)



1-inch Drive Locations (duplex)
(Optional Drive Cage)

	Quantity Supported	Position Supported	Supported Controller
Removable Media			
1.44-MB Diskette Drive	Up to 1	A	Integrated
IDE CD-ROM Drive	Up to 2	B,C,D	Integrated IDE
DVD-ROM Drive	Up to 2	B,C,D	Integrated IDE
Hard Drives			
<i>Wide Ultra3 Hot Pluggable Drives (supported with the optional Wide Ultra2/Ultra3 Drive Cages 382157-B21 and 123157-B21)</i>			
1-inch 18.2-GB 10,000 rpm 9.1-GB 10,000 rpm	Up to 10	0-9	Integrated Dual Channel Wide-Ultra SCSI-3 Adapter Smart Array 221 Controller Smart Array 431 Controller Smart Array 3200 Controller Smart Array 4200 Controller 64-Bit Dual Channel Wide Ultra2 SCSI Adapter 64-Bit/66Mhz Dual Channel Wide Ultra3 SCSI Adapter 64-Bit/66Mhz Single Channel Wide Ultra3 SCSI Adapter
<i>Wide Ultra2 Hot Pluggable Drives (supported with the optional Wide Ultra2/Ultra3 Drive Cages 382157-B21 and 123157-B21)</i>			
1-inch 18.2-GB 10,000 rpm 18.2-GB 9.1-GB 10,000 rpm 9.1-GB	Up to 10	0-9	Integrated Dual Channel Wide-Ultra SCSI-3 Adapter Smart Array 221 Controller Smart Array 431 Controller Smart Array 3200 Controller Smart Array 4200 Controller 64-Bit Dual Channel Wide Ultra2 SCSI Adapter 64-Bit/66Mhz Dual Channel Wide Ultra3 SCSI Adapter 64-Bit/66Mhz Single Channel Wide Ultra3 SCSI Adapter
<i>Wide Ultra3 SCSI – Non-Hot Plug</i>			
1-inch 18.2-GB 10,000 rpm 9.1-GB 10,000 rpm 1.6-inch 36.4-GB 10,000 rpm	Up to 2	B, C	Integrated Dual Channel Wide-Ultra SCSI-3 Adapter Smart Array 221 Controller Smart Array 3200 Controller Smart Array 4200 Controller 64-Bit Dual Channel Wide Ultra2 SCSI Adapter 64-Bit/66Mhz Dual Channel Wide Ultra3 SCSI Adapter 64-Bit/66Mhz Single Channel Wide Ultra3 SCSI Adapter
<i>Wide Ultra2 SCSI – Non-Hot Plug</i>			
1-inch 18.2-GB 9.1-GB	Up to 2	B,C	Integrated Dual Channel Wide-Ultra SCSI-3 Adapter Smart Array 221 Controller Smart Array 3200 Controller Smart Array 4200 Controller 64-Bit Dual Channel Wide Ultra2 SCSI Adapter 64-Bit/66Mhz Dual Channel Wide Ultra3 SCSI Adapter 64-Bit/66Mhz Single Channel Wide Ultra3 SCSI Adapter
<i>Wide-Ultra SCSI-3 – Hot Plug (supported with the 400-MHz Model 1 and the optional Wide-Ultra Drive Cage 328073-B21)</i>			
1-inch 18.2-GB 10,000 rpm 18.2-GB 9.1-GB 10,000 rpm 9.1-GB 1.6-inch 36.4-GB 10,000 rpm 36.4-GB	Up to 8 (duplex option) Up to 7 (simplex) Up to 6	0-7 0-6	Integrated Dual Channel Wide-Ultra SCSI-3 Adapter Smart Array 221 Controller Smart Array 431 Controller Smart Array 3200 Controller Smart Array 4200 Controller 64-Bit Dual Channel Wide Ultra2 SCSI Adapter 64-Bit/66Mhz Dual Channel Wide Ultra3 SCSI Adapter 64-Bit/66Mhz Single Channel Wide Ultra3 SCSI Adapter Wide-Ultra SCSI-3 Adapter

Storage

TOWER DRIVE SUPPORT *(continued)*

	Quantity Supported	Position	Supported Controller
External Storage			
StorageWorks Enclosure 4200 Family (supports only Wide Ultra2/Ultra3 drives)	Up to 12 storage systems supported	External	Smart Array 221 Controller Smart Array 431 Controller Smart Array 3200 Controller Smart Array 4200 Controller 64-Bit Dual Channel Wide Ultra2 SCSI Adapter 64-Bit/66Mhz Dual Channel Wide Ultra3 SCSI Adapter 64-Bit/66Mhz Single Channel Wide Ultra3 SCSI Adapter
ProLiant Storage System Models UE ProLiant Storage System Models U2 (supports Wide-Ultra SCSI-3 drives)	Up to 12 storage systems supported	External	Integrated Dual Channel Wide-Ultra SCSI-3 Adapter Smart Array 221 Controller Smart Array 3200 Controller Smart Array 4200 Controller 64-bit Dual Channel Wide Ultra2 SCSI Adapter Wide-Ultra SCSI-3 Adapter
SCSI Storage Expander II	Up to 3	External	Integrated Dual Channel Wide-Ultra SCSI-3 Adapter Smart Array 3200 Controller 64-bit Dual Channel Wide Ultra2 SCSI Adapter Wide-Ultra SCSI-3 Adapter
StorageWorks Raid Array 4000 or 4100 Kit	Up to 12	External	Fibre Channel Host Adapter
Maximum Storage Capacity (Simplex Drive Cage & External Storage)			
Internal	254.8 GB (218.4 GB pluggable with 6 1.6" 36.4-GB drives)		
External	3.49 TB (12 ProLiant Storage Systems, each with 8 x 36.4-GB hard drives)		
Total	3.74 TB		
Maximum Storage Capacity (Optional Duplex Drive Cage & External Storage)			
Internal	254.8 GB (218.4 GB pluggable with 6 1.6" 36.4-GB drives)		
External	3.49 TB (12 ProLiant Storage Systems, each with 8 x 36.4-GB hard drives)		
Total	3.74 TB		
Maximum Storage Capacity (Optional Ultra2 Drive Cage & External Storage)			
Internal	218.4 GB (182 GB pluggable with ten 1" 18.2-GB drives)		
External	3.49 TB (12 ProLiant Storage Systems, each with 8 x 36.4-GB hard drives)		
Total	3.70 TB		
Maximum Storage Capacity – (Simplex/Duplex Drive Cage & StorageWorks Enclosure SCSI Attached)			
Internal	254.8 GB (218.4 GB pluggable with six 1.6" 36.4-GB drives)		
External	3.057 TB hot plug SCSI storage (12 x (14 x 18.2GB 1" Wide Ultra2/Ultra3))		
Total	3.276 TB		

Storage

TOWER DRIVE SUPPORT *(continued)*

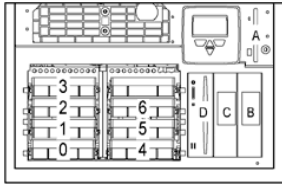
	Quantity Supported	Position Supported	Controller
Tape Drives			
Internal 4/8-GB DAT Internal 12/24-GB DAT 12/24-GB DAT DDS-3 8 Cassette Autoloader 20/40-GB DAT DDS-4 8 Cassette Autoloader (internal)	Up to 2	B,C	Wide-Ultra SCSI-3 Adapter 64-Bit/66Mhz Dual Channel Wide Ultra3 SCSI Adapter 64-Bit/66Mhz Single Channel Wide Ultra3 SCSI Adapter
20/40-GB DAT DDS-4 Tape Drive	1	B + C (two bays)	Integrated Dual Channel Wide-Ultra SCSI-3 Adapter Wide-Ultra SCSI-3 Adapter 64-Bit/66Mhz Dual Channel Wide Ultra3 SCSI Adapter 64-Bit/66Mhz Single Channel Wide Ultra3 SCSI Adapter
Internal AIT 50-GB Tape Drive External AIT 50-GB Tape Drive Internal AIT 35-GB Tape Drive External AIT 35-GB Tape Drive	1	B, C	Integrated Dual Channel Wide-Ultra SCSI-3 Adapter Wide-Ultra SCSI-3 Adapter 64-Bit/66Mhz Dual Channel Wide Ultra3 SCSI Adapter 64-Bit/66Mhz Single Channel Wide Ultra3 SCSI Adapter
Internal 20/40-GB DLT Internal 35/70-GB DLT	1	B + C (two bays)	Integrated Dual Channel Wide-Ultra SCSI-3 Adapter Wide-Ultra SCSI-3 Adapter 64-Bit/66Mhz Dual Channel Wide Ultra3 SCSI Adapter 64-Bit/66Mhz Single Channel Wide Ultra3 SCSI Adapter
DLT Tape Array II Model 35/70	1 to 4	External	Integrated Dual Channel Wide-Ultra SCSI-3 Adapter Wide-Ultra SCSI-3 Adapter
20/40-GB DLT 35/70-GB DLT	Up to 3	External	Integrated Dual Channel Wide-Ultra SCSI-3 Adapter Wide-Ultra SCSI-3 Adapter 64-Bit/66Mhz Dual Channel Wide Ultra3 SCSI Adapter 64-Bit/66Mhz Single Channel Wide Ultra3 SCSI Adapter
TL891 DLT Library (1 - 2 Drive) TL881 DLT Library (1 - 2 Drive)	2 drives per SCSI channel	External	Compaq Dual Channel Wide-Ultra SCSI-3 Adapter Compaq Wide-Ultra SCSI Adapter
DLT 15 Cartridge Library Model 20/40-1 DLT 15 Cartridge Library Model 20/40-2 DLT 15 Cartridge Library Model 35/70-1 DLT 15 Cartridge Library Model 35/70-2	1 Library per SCSI channel		Integrated Dual Channel Wide-Ultra SCSI-3 Adapter Wide-Ultra SCSI-3 Adapter

QUICKSPECS

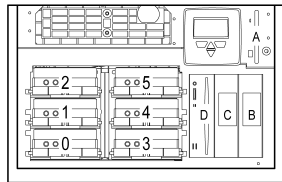
Compaq ProLiant 3000
Pentium II Models

Storage

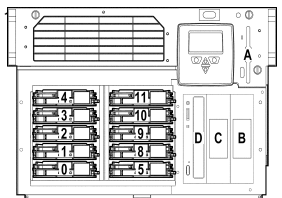
RACK DRIVE SUPPORT



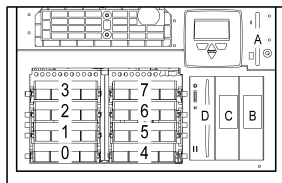
1-inch Drive Locations
(standard simplex drive cage)



1.6-inch Drive Locations
(standard drive cage)



1-inch Ultra2 Drive Locations
(optional drive cage)



1-inch Drive Locations (duplex)
(Optional Drive Cage)

	Quantity Supported	Position Supported	Controller
Removable Media			
1.44-MB Diskette Drive	Up to 1	A	Integrated
IDE CD-ROM Drive	Up to 2	B,C,D	Integrated IDE
DVD-ROM Drive	Up to 2	B,C,D	Integrated IDE

Hard Drives

Wide Ultra3 Hot Pluggable Drives (supported with optional Wide Ultra2/Ultra3 Drive Cages 382157-B21 and 123135-B21)

1-inch	Up to 10	0-9	Integrated Dual Channel Wide-Ultra SCSI-3 Adapter Smart Array 221 Controller Smart Array 431 Controller Smart Array 3200 Controller Smart Array 4200 Controller 64-Bit Dual Channel Wide Ultra2 SCSI Adapter 64-Bit/66Mhz Dual Channel Wide Ultra3 SCSI Adapter 64-Bit/66Mhz Single Channel Wide Ultra3 SCSI Adapter
18.2-GB 10,000 rpm			
9.1-GB 10,000 rpm			

Wide Ultra2 Hot Pluggable Drives (supported with optional Wide Ultra2/Ultra3 Drive Cages 382157-B21 and 123135-B21)

1-inch	Up to 10	0-9	Integrated Dual Channel Wide-Ultra SCSI-3 Adapter Smart Array 221 Controller Smart Array 431 Controller Smart Array 3200 Controller Smart Array 4200 Controller 64-Bit Dual Channel Wide Ultra2 SCSI Adapter 64-Bit/66Mhz Dual Channel Wide Ultra3 SCSI Adapter 64-Bit/66Mhz Single Channel Wide Ultra3 SCSI Adapter
18.2-GB 10,000 rpm			
18.2-GB			
9.1-GB 10,000 rpm			
9.1-GB			

Wide Ultra3 SCSI – Non-Hot Plug

1-inch	Up to 2	B, C	Integrated Dual Channel Wide-Ultra SCSI-3 Adapter Smart Array 221 Controller Smart Array 431 Controller Smart Array 3200 Controller Smart Array 4200 Controller 64-Bit Dual Channel Wide Ultra2 SCSI Adapter 64-Bit/66Mhz Dual Channel Wide Ultra3 SCSI Adapter 64-Bit/66Mhz Single Channel Wide Ultra3 SCSI Adapter
18.2-GB 10,000 rpm			
9.1-GB 10,000 rpm			
1.6-inch			
36.4-GB 10,000 rpm			

Wide Ultra2 SCSI – Non-Hot Plug

1-inch	Up to 2	B,C	Integrated Dual Channel Wide-Ultra SCSI-3 Adapter Smart Array 221 Controller Smart Array 431 Controller Smart Array 3200 Controller Smart Array 4200 Controller 64-Bit Dual Channel Wide Ultra2 SCSI Adapter 64-Bit/66Mhz Dual Channel Wide Ultra3 SCSI Adapter 64-Bit/66Mhz Single Channel Wide Ultra3 SCSI Adapter
18.2-GB			
9.1-GB			

Wide-Ultra SCSI-3 – Hot Plug (supported with the 400-MHz and 450-MHz Model 1s and the optional Wide-Ultra Drive Cage 328073-B21)

1-inch	Up to 8 (duplex option)	0-7	Integrated Dual Channel Wide-Ultra SCSI-3 Adapter Smart Array 221 Controller Smart Array 431 Controller Smart Array 3200 Controller Smart Array 4200 Controller
18.2-GB 10,000 rpm			
18.2-GB	Up to 7 (simplex)	0-6	64-Bit Dual Channel Wide Ultra2 SCSI Adapter 64-Bit/66Mhz Dual Channel Wide Ultra3 SCSI Adapter 64-Bit/66Mhz Single Channel Wide Ultra3 SCSI Adapter
9.1-GB 10,000 rpm			
9.1-GB	Up to 6	0-5	Wide-Ultra SCSI-3 Adapter
1.6-inch			
36.4-GB 10,000 rpm			
36.4-GB			

QUICKSPECS

Compaq ProLiant 3000
Pentium II Models

Storage

RACK DRIVE SUPPORT *(continued)*

	Quantity Supported	Position Supported	Controller
External Storage			
StorageWorks Enclosure 4200 Family (supports Wide Ultra2/Ultra3 drives)	Up to 12 storage systems supported	External	Smart Array 221 Controller Smart Array 431 Controller Smart Array 3200 Controller Smart Array 4200 Controller 64-Bit Dual Channel Wide Ultra2 SCSI Adapter 64-Bit/66Mhz Dual Channel Wide Ultra3 SCSI Adapter 64-Bit/66Mhz Single Channel Wide Ultra3 SCSI Adapter
ProLiant Storage System Models UE ProLiant Storage System Models U2 (supports Wide-Ultra SCSI-3 drives)	Up to 12 storage systems supported	External	Integrated Dual Channel Wide-Ultra SCSI-3 Adapter Smart Array 221 Controller Smart Array 3200 Controller Smart Array 4200 Controller 64-bit Dual Channel Wide Ultra2 SCSI Adapter Wide-Ultra SCSI-3 Adapter
SCSI Storage Expander II	Up to 3	External	Integrated Dual Channel Wide-Ultra SCSI-3 Adapter Smart Array 3200 Controller 64-bit Dual Channel Wide Ultra2 SCSI Adapter Wide-Ultra SCSI-3
StorageWorks Raid Array 4000 or 4100 Kit	Up to 12	External	Fibre Channel Host Adapter

Maximum Storage Capacity (Simplex Drive Cage & External Storage)

Internal: 254.8 GB (218.4 GB hot pluggable with six 1.6" 36.4-GB drives)
External: 3.49 TB (12 ProLiant Storage Systems, each with 8 x 36.4-GB hard drives)
Total: 3.74 TB

Maximum Storage Capacity (Optional Duplex Drive Cage & External Storage)

Internal: 254.8 GB (218.4 GB hot pluggable with six 1.6" 36.4-GB drives)
External: 3.49 TB (12 ProLiant Storage Systems, each with 8 x 36.4-GB hard drives)
Total: 3.74 TB

Maximum Storage Capacity (Simplex Drive Cage & StorageWorks Enclosure)

Internal: 254.8 GB (218.4 GB hot pluggable with six 1.6" 36.4-GB drives)
External: 3.057 TB (12 StorageWorks Enclosure, each with 14 x 18.2-GB hard drives)
Total: 3.312 TB

Maximum Storage Capacity (Optional Ultra2/Ultra3 Drive Cage & External Storage)

Internal: 218.4 GB (182 GB hot pluggable with ten 1" 18.2-GB drives)
External: 3.49 TB (12 ProLiant Storage Systems, each with 8 x 36.4-GB hard drives)
Total: 3.70 TB

Maximum Storage Capacity (Optional Ultra2/Ultra3 Drive Cage & StorageWorks Enclosure)

Internal: 218.4 GB (182 GB hot pluggable with ten 1" 18.2-GB drives)
External: 3.057 TB (12 StorageWorks Enclosure, each with 14 x 18.2-GB hard drives)
Total: 3.276 TB

Storage

RACK DRIVE SUPPORT *(continued)*

	Quantity Supported	Position Supported	Controller
Tape Drives			
Internal 12/24-GB DAT	Up to 2	B,C	Wide-Ultra SCSI-3 Adapter
Internal 4/8-GB DAT	Up to 2	B,C	64-Bit/66Mhz Dual Channel Wide Ultra3 SCSI Adapter
12/24-GB DDS-3 8 Cassette Autoloader			64-Bit/66Mhz Single Channel Wide Ultra3 SCSI Adapter
20/40-GB DAT DDS-4 8 Cassette Autoloader (internal)			
Internal AIT 50 GB Tape Drive	1	B, C	Integrated Dual Channel Wide-Ultra SCSI-3 Adapter
External AIT 50 GB Tape Drive			Wide-Ultra SCSI-3 Adapter
Internal AIT 35 GB Tape Drive			64-Bit/66Mhz Dual Channel Wide Ultra3 SCSI Adapter
External AIT 35 GB Tape Drive			64-Bit/66Mhz Single Channel Wide Ultra3 SCSI Adapter
20/40-GB DAT DDS-4 Tape Drive	1	B + C (two bays)	Integrated Dual Channel Wide-Ultra SCSI-3 Adapter Wide-Ultra SCSI-3 Adapter
Internal 35/70-GB DLT	1	B + C (two bays)	Integrated Dual Channel Wide-Ultra SCSI-3 Adapter
Internal 20/40-GB DLT			Wide-Ultra SCSI-3 Adapter 64-Bit/66Mhz Dual Channel Wide Ultra3 SCSI Adapter 64-Bit/66Mhz Single Channel Wide Ultra3 SCSI Adapter
DLT Tape Array II Model 35/70	1 to 4	External	Integrated Dual Channel Wide-Ultra SCSI-3 Adapter Wide-Ultra SCSI-3 Adapter
35/70-GB DLT	Up to 3	External	Integrated Dual Channel Wide-Ultra SCSI-3 Adapter
20/40-GB DLT			Wide-Ultra SCSI-3 Adapter 64-Bit/66Mhz Dual Channel Wide Ultra3 SCSI Adapter 64-Bit/66Mhz Single Channel Wide Ultra3 SCSI Adapter
TL891 DLT Library (1 - 2 Drive)	2 drives per SCSI channel	External	Compaq Dual Channel Wide-Ultra SCSI-3 Adapter
TL881 DLT Library (1 - 2 Drive)			Compaq Wide-Ultra SCSI Adapter
DLT 15 Cartridge Library Model 35/70-1	1 Library per SCSI channel		Integrated Dual Channel Wide-Ultra SCSI-3 Adapter
DLT 15 Cartridge Library Model 35/70-2			Wide-Ultra SCSI-3 Adapter
DLT 15 Cartridge Library Model 20/40-1			
DLT 15 Cartridge Library Model 20/40-2			

SUPPORTED TAPE DRIVE OPTIONS

Tape Drive	Operating System	Key
Internal 4/8-GB DAT Drive	Novell NetWare	AS, JS, SE
	SCO UNIX	Native (Tar & CPIO)
	Microsoft Windows NT	AS, NT, SE
Internal 12/24-GB DAT Drive	Novell NetWare	AS, JS, SE
	SCO UNIX	Native (Tar & CPIO)
	Microsoft Windows NT	AS, NT, SE
AIT 50-GB Tape Drive	Novell NetWare	AS, JS, SE
	SCO UNIX	Native (Tar & CPIO)
	Microsoft Windows NT	AS, NT, SE
AIT 35-GB Tape Drive	Novell NetWare	AS, JS, SE
	SCO UNIX	Native (Tar & CPIO)
	Banyan VINES	VN
	OS/2 Warp and LAN Server	ST
	Microsoft Windows NT	AS, NT, SE
20/40-GB DAT DDS-4 Tape Drive	Novell NetWare	AS, JS, SE
	Microsoft Windows NT	AS, NT, SE
12/24-GB DAT DDS-3 8 Cassette Autoloader	Novell NetWare	AS, JS, SE
	Microsoft Windows NT	AS, NT, SE
20/40-GB DAT DDS-4 8 Cassette Autoloader	Novell NetWare	AS, JS, SE
	Microsoft Windows NT	AS, NT, SE

Storage

SUPPORTED TAPE DRIVE OPTIONS *(continued)*

Tape Drive	Operating System	Key
20/40-GB DLT Drive	Novell NetWare	AS, JS, LG, SE
	SCO UNIX	AO, UX
	OS/2 Warp and LAN Server	NV
	Microsoft Windows NT	AS, NT, SE
35/70-GB DLT Drive	Novell NetWare	AS, JS, LG, SE
	SCO UNIX	AO, UX
	OS/2 Warp and LAN Server	ST
	Microsoft Windows NT	AS, NT, SE, LG
DLT Tape Array II Model 35/70	Novell NetWare	LG
	SCO UNIX	UX
	Microsoft Windows NT	LG
DLT 15 Cartridge Library Model 20/40-1	Novell NetWare	AS, JS, SE
	SCO UNIX	AO, UX
	Microsoft Windows NT	AS, NT, SE
DLT 15 Cartridge Library Model 20/40-2	Novell NetWare	AS, JS, SE
	SCO UNIX	AO, UX
	Microsoft Windows NT	AS, NT, SE
DLT 15 Cartridge Library Model 35/70-1	Novell NetWare	AS, JS, SE
	SCO UNIX	AO, UX
	Microsoft Windows NT	AS, NT, SE
DLT 15 Cartridge Library Model 35/70-2	Novell NetWare	AS, JS, SE
	SCO UNIX	AO, UX
	Microsoft Windows NT	AS, NT, SE
TL891 DLT Library (1 - 2 Drive)	Novell NetWare	AS, SE
	Microsoft Windows NT 4.0	AS, NT, SE, LG
TL881 DLT Library (1 - 2 Drive)	Novell NetWare	AS, SE
	Microsoft Windows NT 4.0	AS, NT, SE, LG

Keys to Chart

AS	Computer Associates ARCserve	VN	Banyan VINES support for Compaq tape drives included in operating system
JS	Computer Associates JETserve	UX	Device drivers for Compaq tape drives available from SCO in the SCO Compaq Supplement
AO	Computer Associates ARCserve Open	NT	Microsoft Windows NT support for Compaq tape drives included in operating system
LG	Legato Networker Software from Legato	NV	Novastor Novaback for OS/2
ST	Sylos Plus software		
SE	Veritas Software Backup Exec		

QUICKSPECS

Compaq ProLiant 3000
Pentium II Models

Technical Specifications

System Unit - Tower

Dimensions (HxWxD)	23.88 x 17.5 x 12 in/60.3 x 44.5 x 30.5 cm	
Weight	88.2 lb/40 kg	
Input Requirements (per power supply)		
Rated Input Voltage	100 to 120 VAC/200 to 240 VAC	
Rated Input Frequency	50 to 60 Hz	
Input Power	780W @ 110 VAC/1100W @ 220 VAC	
Rated Input Current	8A	
BTU Rating	2,623 BTU/h @ 500W 3,934 BTU/h @ 750W	
SCSI Connectors	Internal: Two 68-pin supporting Wide-Ultra SCSI-3 External: One 68-pin supporting Wide-Ultra SCSI-3 Four SCSI knockouts (68-pin)	
Power Supply Output Power (per power supply)		
Rated Steady-State Power	500W/750W (lowline/highline)	
Maximum Peak Power	540W/780W (lowline/highline)	
Temperature Range		
Operating	50° to 95°F/10° to 35°C	
Non-operating	-20° to 140°F/-29° to 60°C	
Shipping	-22° to 122°F/-30° to 50°C	
Relative Humidity (non-condensing)		
Operating	20% to 80%	
Non-operating	5% to 90%	
Maximum Wet Bulb Temperature	101.7°F/38.7°C	
Acoustic Noise	NPEL (BELS)	AVERAGE SPL (dBA)
Idle (Fixed Disk Drives Spinning)	6	43
Operating (Random Seeks to Fixed Disks)	6.1	44

System Unit - Rack

Dimensions (HxWxD)	12 x 19 x 24.5 in/30.5 x 48.3 x 62.2 cm	
Weight	71 lbs/31.95 kg	
Input Requirements (per power supply)		
Rated Input Voltage	100 to 120 VAC/200 to 240 VAC	
Rated Input Frequency	50 to 60 Hz	
Input Power	780W @ 110 VAC/1100W @ 220 VAC	
Rated Input Current	8A	
BTU Rating	2,623 BTU/h @ 500W 3,934 BTU/h @ 750W	
SCSI Connectors	Internal: Two 68-pin supporting Wide-Ultra SCSI-3 External: One 68-pin supporting Wide-Ultra SCSI-3 Four SCSI knockouts (68-pin)	
Power Supply Output Power (per power supply)		
Rated Steady-State Power	500W/750W (lowline/highline)	
Maximum Peak Power	540W/780W (lowline/highline)	
Temperature Range		
Operating	50° to 95°F/10° to 35°C	
Non-operating	-20° to 140°F/-29° to 60°C	
Shipping	-22° to 122°F/-30° to 50°C	

QUICKSPECS

Compaq ProLiant 3000
Pentium II Models

Technical Specifications

System Unit – Rack (continued)

Relative Humidity (non-condensing)		
Operating	20% to 80%	
Non-operating	5% to 90%	
Maximum Wet Bulb Temperature	101.7°F/38.7°C	
Acoustic Noise	NPEL (BELS)	AVERAGE SPL (dBA)
Idle (Fixed Disk Drives Spinning)	6	43
Operating (Random Seeks to Fixed Disks)	6.1	44

1.44-MB Diskette Drive

Diskette Size	3.5 in
LED Indicators (front panel)	Green
Read/Write Capacity per Diskette (high/low density)	1.44 MB/720 KB
Drive Supported	One
Drive Height	One-third
Drive Rotation	300 rpm
Transfer Rate (high/low)	500/250 Kb/s
Bytes/Sector	512
Sectors/Track (high/low)	18/9
Tracks/Side (high/low)	80/80
Access Times	
Track-to-Track (high/low)	3/6 ms
Average (high/low)	169/94 ms
Settling Time	15 ms
Latency Average	100 ms
Cylinders (high/low)	80/80
Read/Write Heads	Two

Hot Plug Wide Ultra3 SCSI Hard Drives

18.2 GB 10K	Capacity	18209.3 MB	Seek Time (typical reads, including settling)	
	Height	1 in/25.4 mm	Single Track	0.8 ms
	Width	3.5 in/88.9 mm	Average	5.2 ms
	Interface	Wide Ultra3 SCSI	Full-Stroke	12 ms
	Transfer Rate		Rotational Speed	10,000 rpm
	Synchronous (Maximum)	160 MB/s	Physical Configuration	
			Bytes/Sector	512
			Logical Blocks	35,565,080
			Operating Temperature 50° to 95°F/10° to 35°C	
	9.1 GB 10K	Capacity	9100.0 MB	Seek Time (typical reads, including settling)
Height		1 in/25.4 mm	Single Track	0.8 ms
Width		3.5 in/88.9 mm	Average	5.0 ms
Interface		Wide Ultra3 SCSI	Full-Stroke	12 ms
Transfer Rate			Rotational Speed	10,000 rpm
Synchronous (Maximum)		160 MB/s	Physical Configuration	
			Bytes/Sector	512
			Logical Blocks	17,773,524
			Operating Temperature 50° to 95°F/10° to 35°C	

QUICKSPECS

Compaq ProLiant 3000
Pentium II Models

Technical Specifications

Non-Hot Plug
Wide Ultra3 SCSI
Hard Drives

36.4 GB 10K	Capacity	36419.5 MB	Seek Time (typical reads, including settling)	
	Height	1.6 in/40.6 mm	Single Track	0.8 ms
	Width	3.5 in/88.9 mm	Average	5.7 ms
	Interface	Wide Ultra3 SCSI	Full-Stroke	13 ms
	Transfer Rate		Rotational Speed	10,000 rpm
	Synchronous (Maximum)	160 MB/s	Physical Configuration	
			Bytes/Sector	512
		Logical Blocks	71,132,000	
		Operating Temperature 50° to 95°F/10° to 35°C		
<hr/>				
18.2 GB 10K	Capacity	18209.3 MB	Seek Time (typical reads, including settling)	
	Height	1 in/25.4 mm	Single Track	0.8 ms
	Width	3.5 in/88.9 mm	Average	5.5 ms
	Interface	Wide Ultra3 SCSI	Full-Stroke	12 ms
	Transfer Rate		Rotational Speed	10,000 rpm
	Synchronous (Maximum)	160 MB/s	Physical Configuration	
			Bytes/Sector	512
		Logical Blocks	35,565,080	
		Operating Temperature 50° to 95°F/10° to 35°C		
<hr/>				
9.1 GB 10K	Capacity	9100.0 MB	Seek Time (typical reads, including settling)	
	Height	1 in/25.4 mm	Single Track	0.8 ms
	Width	3.5 in/88.9 mm	Average	5.0 ms
	Interface	Wide Ultra3 SCSI	Full-Stroke	12 ms
	Transfer Rate		Rotational Speed	10,000 rpm
	Synchronous (Maximum)	160 MB/s	Physical Configuration	
			Bytes/Sector	512
		Logical Blocks	17,773,524	
		Operating Temperature 50° to 95°F/10° to 35°C		

QUICK SPECS

Compaq ProLiant 3000
Pentium II Models

Technical Specifications

Hot Plug
Wide Ultra2 SCSI
Hard Drives

18.2 GB 10K	Capacity	18209.3 MB	Seek Time (typical reads, including settling)	
	Height	1 in/25.4 mm	Single Track	0.8 ms
	Width	3.5 in/88.9 mm	Average	5.7 ms
	Interface	Wide Ultra2 SCSI	Full-Stroke	12.2 ms
	Transfer Rate		Rotational Speed	10,000 rpm
	Synchronous (Maximum)	80 MB/s	Physical Configuration	
			Bytes/Sector	512
			Logical Blocks	35,565,080
			Operating Temperature 50° to 95°F/10° to 35°C	
	<hr/>			
18.2 GB	Capacity	18209.3 MB	Seek Time (typical reads, including settling)	
	Height	1 in/25.4 mm	Single Track	0.8 ms
	Width	3.5 in/88.9 mm	Average	6.9 ms
	Interface	Wide Ultra2 SCSI	Full-Stroke	15.0 ms
	Transfer Rate		Rotational Speed	7200 rpm
	Synchronous (Maximum)	80 MB/s	Physical Configuration	
			Bytes/Sector	512
			Logical Blocks	35,566,080
			Operating Temperature 50° to 95°F/10° to 35°C	
	<hr/>			
9.1 GB 10K	Capacity	9100.0 MB	Seek Time (typical reads, including settling)	
	Height	1 in/25.4 mm	Single Track	0.8 ms
	Width	3.5 in/88.9 mm	Average	5.4 ms
	Interface	Wide Ultra2 SCSI	Full-Stroke	12.2 ms
	Transfer Rate		Rotational Speed	10,000 rpm
	Synchronous (Maximum)	80 MB/s	Physical Configuration	
			Bytes/Sector	512
			Logical Blocks	17,773,524
			Operating Temperature 50° to 95°F/10° to 35°C	
	<hr/>			
9.1 GB	Capacity	9100.0 MB	Seek Time (typical reads, including settling)	
	Height	1 in/25.4 mm	Single Track	0.8 ms
	Width	3.5 in/88.9 mm	Average	7.9 ms
	Interface	Wide Ultra2 SCSI	Full-Stroke	17.0 ms
	Transfer Rate		Rotational Speed	7200 rpm
	Synchronous (Maximum)	80 MB/s	Physical Configuration	
			Bytes/Sector	512
			Logical Blocks	17,773,524
			Operating Temperature 50° to 95°F/10° to 35°C	

QUICKSPECS

Compaq ProLiant 3000
Pentium II Models

Technical Specifications

Non-Hot Plug
Wide Ultra2 SCSI
Hard Drives

18.2 GB	Capacity	18209.3 MB	Seek Time (typical reads, including settling)	
	Height	1 in/25.4 mm	Single Track	0.8 ms
	Width	3.5 in/88.9 mm	Average	6.9 ms
	Interface	Wide Ultra2 SCSI	Full-Stroke	15.0 ms
	Transfer Rate		Rotational Speed	7200 rpm
	Synchronous (Maximum)	80 MB/s	Physical Configuration	
		Bytes/Sector	512	
		Logical Blocks	35,565,080	
		Operating Temperature 50° to 95°F/10° to 35°C		

9.1 GB	Capacity	9100.0 MB	Seek Time (typical reads, including settling)	
	Height	1 in/25.4 mm	Single Track	1.9 ms
	Width	3.5 in/88.9 mm	Average	7.5 ms
	Interface	Wide Ultra2 SCSI	Full-Stroke	15.0 ms
	Transfer Rate		Rotational Speed	7200 rpm
	Synchronous (Maximum)	80 MB/s	Physical Configuration	
		Bytes/Sector	512	
		Logical Blocks	17,773,524	
		Operating Temperature 50° to 95°F/10° to 35°C		

Hot Plug
Wide-Ultra SCSI-3
Hard Drives

36.4 GB 10K	Capacity	36419.5 MB	Seek Time (typical reads, including settling)	
	Height	1.6 in/40.6 mm	Single Track	0.8 ms
	Width	3.5 in/88.9 mm	Average	5.7 ms
	Interface	Wide-Ultra SCSI-3	Full-Stroke	12.2 ms
	Transfer Rate		Rotational Speed	10,000 rpm
	Synchronous (Maximum)	40 MB/s	Physical Configuration	
		Bytes/Sector	512	
		Logical Blocks	35,566,000	
		Operating Temperature 50° to 95°F/10° to 35°C		

36.4 GB	Capacity	36419.5 MB	Seek Time (typical reads, including settling)	
	Height	1.6 in/40.6 mm	Single Track	0.8 ms
	Width	3.5 in/88.9 mm	Average	7.4 ms
	Interface	Wide-Ultra SCSI-3	Full-Stroke	17.0 ms
	Transfer Rate		Rotational Speed	7200 rpm
	Synchronous (Maximum)	40 MB/s	Physical Configuration	
		Bytes/Sector	512	
		Logical Blocks	71,132,000	
		Operating Temperature 50° to 95°F/10° to 35°C		

QUICKSPECS

Compaq ProLiant 3000
Pentium II Models

Technical Specifications

Hot Plug
Wide-Ultra SCSI-3
Hard Drives
(continued)

18.2 GB 10K	Capacity	18209.8 MB	Seek Time (typical reads, including settling)	
	Height	1 in/25.4 mm	Single Track	0.8 ms
	Width	3.5 in/88.9 mm	Average	5.7 ms
	Interface	Wide-Ultra SCSI-3	Full-Stroke	12.2 ms
	Transfer Rate		Rotational Speed	10,000 rpm
	Synchronous (Maximum)	40 MB/s	Physical Configuration	
			Bytes/Sector	512
			Logical Blocks	35,566,000
			Operating Temperature 50° to 95°F/10° to 35°C	
	18.2 GB	Capacity	18209.8 MB	Seek Time (typical reads, including settling)
Height		1 in/25.4 mm	Single Track	0.8 ms
Width		3.5 in/88.9 mm	Average	6.9 ms
Interface		Wide-Ultra SCSI-3	Full-Stroke	16.0 ms
Transfer Rate			Rotational Speed	7200 rpm
Synchronous (Maximum)		40 MB/s	Physical Configuration	
			Bytes/Sector	512
			Logical Blocks	35,566,000
			Operating Temperature 50° to 95°F/10° to 35°C	
9.1 GB 10K		Capacity	9100.0 MB	Seek Time (typical reads, including settling)
	Height	1 in/25.4 mm	Single Track	0.8 ms
	Width	3.5 in/88.9 mm	Average	5.4 ms
	Interface	Wide-Ultra SCSI-3	Full-Stroke	12.2 ms
	Transfer Rate		Rotational Speed	10,000 rpm
	Synchronous (Maximum)	40 MB/s	Physical Configuration	
			Bytes/Sector	512
			Logical Blocks	17,773,500
			Operating Temperature 50° to 95°F/10° to 35°C	
	9.1 GB	Capacity	9100.0 MB	Seek Time (typical reads, including settling)
Height		1 in/25.4 mm	Single Track	0.8 ms
Width		3.5 in/88.9 mm	Average	7.9 ms
Interface		Wide-Ultra SCSI-3	Full-Stroke	17.0 ms
Transfer Rate			Rotational Speed	7200 rpm
Synchronous (Maximum)		40 MB/s	Physical Configuration	
			Bytes/Sector	512
			Logical Blocks	17,773,500
			Operating Temperature 50° to 95°F/10° to 35°C	

Technical Specifications

32X Max CD-ROM Drive IDE

Disk	
Applicable Disk	CD-ROM (Mode 1 and 2) CD-DA, CD-XA (Mode 2, Form 1 and 2) Photo CD (Single and Multi-session) Mixed Mode (Audio and Data combined)
Capacity	550 MB (Mode 1, 12 cm) 640 MB (Mode 2, 12 cm)
Diameter	4.7 in, 3.15 in/12 cm, 8 cm
Rotational Speed	4200 rpm maximum
Center Hole	0.6 in/15 mm diameter
Thickness	1.2 mm
Track Pitch	1.6 μ m
Block Size	
Mode 1	2,048, 1,024 bytes
Mode 2	2,340, 2,336, 1,024 bytes
CD-DA	2,352 bytes
CD-XA	2,328 bytes
Interface	IDE (ATAPI)
Access Times (typical)	
Random	100 ms
Full-Stroke	200 ms
Audio Output Level	
Line-Out	0.7 VRMS at 47 kOhms
Headphone	0.6 VRMS at 32 Ohms (maximum volume)
Data Transfer Rate	
Sustained	150 KB/s (single)
Burst	1200 to 4800 KB/s
Cache Buffer	128 KB
Start-up Time (typical)	< 7 seconds
Stop Time	< 4 seconds
Laser Parameters	
Type	Semiconductor Laser GaAlAs
Wave Length	780 \pm 25 nm
Divergence Angle	53.5 $^{\circ}$ \pm 1.5 $^{\circ}$
Output Power	0.14mW
Operating Conditions	
Temperature	41 $^{\circ}$ to 113 $^{\circ}$ F/5 $^{\circ}$ to 45 $^{\circ}$ C
Humidity	10% to 80%
Dimensions	
(HxWxD, maximum)	1.88 x 5.85 x 8.11 in/4.29 x 15 x 20.8 cm
Weight	2.09 lbs/0.95 kg

QUICK SPECS

Compaq ProLiant 3000
Pentium II Models

Technical Specifications

Smart Array 4200 Controller

Protocol	Wide Ultra2 SCSI
SCSI Electrical Interface	Low Voltage Differential
Drives Supported (maximum)	56 drives
Data Transfer Method	64-bit PCI bus-master
Maximum Transfer Rate on PCI Bus (peak)	
Simultaneous Drive Transfer Channels	Four
Total Channel Transfer Rate	320 MB/s
Software Upgradable Firmware	Yes
Cache	64 MB battery backed and removable
Logical Drives Supported	32
Reliability Features	
Cache Battery Backup	Yes
Online Capacity Expansion	Yes
Logical Drive Capacity Extension	Yes
Online RAID Level Migration	Yes
Online Stripe Size Migration	Yes
Automatic Data Recovery	Yes
Distributed Data Guarding (RAID 5)	Yes
Data Guarding (RAID 4)	Yes
Drive Mirroring (RAID 1)	Yes
Drive Striping (RAID 0, 0 + 1)	Yes

Smart Array 3200 Controller

Drives Supported	Up to 15 drives per channel, 30 drives maximum
Data Transfer Method	32-bit PCI bus-master
Maximum Transfer Rate per PCI Bus (peak)	133 MB/s
Simultaneous Drive Transfer Channels	Two
Total Transfer Rate	160 MB/s (80 MB/s per channel)
Software Upgradable Firmware	Yes
Cache	64-MB Array Accelerator
Reliability Features	
Distributed Data Guarding (RAID 5)	Yes
Data Guarding (RAID 4)	Yes
Drive Mirroring (RAID 1)	Yes
Drive Striping (RAID 0)	Yes
Automatic Data Recovery	Yes

Technical Specifications

Smart Array 431 Controller

Protocol	Wide Ultra3 SCSI
SCSI Electrical Interface	Low Voltage Differential (LVD)
Drives Supported	Up to 14 drives Wide Ultra3 or Wide Ultra2 SCSI hard drives
SCSI Port Connectors	Single External/Internal SCSI port
Data Transfer Method	64-bit PCI bus-master
Maximum Transfer Rate on System Bus (peak)	266 MB/s
Simultaneous Drive Transfer Channels	One
Total Transfer Rate	80 MB/s per channel
Channel Transfer Rate	160 MB/s per channel
Software Upgradeable Firmware	Yes
Read-Only Cache	16-MB Cache Performance Engine
Logical Drives Supported	32
Reliability Features	
Distributed Data Guarding (RAID 5)	Yes
Drive Mirroring (RAID 1)	Yes
Drive Striping (RAID 0, 0+1)	Yes
Automatic Data Recovery	Yes
Disk Drive Protocol Support	Wide Ultra3 and Wide Ultra2
Enclosure Support	New StorageWorks Enclosure 4200 Family (Models 4214R and 4214T)

Integrated Dual Channel Wide-Ultra SCSI-3 Adapter

Drives Supported	Up to seven SCSI devices per channel
Data Transfer Method	32-bit PCI bus-master
SCSI Channel Transfer Rate	40 MB/s per channel
Maximum Transfer Rate per PCI Bus (peak)	133 MB/s
SCSI Termination	Active Termination
SCSI Connectors	1 external, (68-pin) 2 internal, (68-pin)

QUICKSPECS

Compaq ProLiant 3000
Pentium II Models

Technical Specifications

Smart Array 221 Controller

Drives Supported	Up to 14 drives (The ProLiant 3000 will support up to ten internal hard drives or 12 external hard drives using the ProLiant Storage System Model UE storage closure.)
Data Transfer Method	32-bit PCI bus-master
Maximum Transfer Rate per PCI Bus (peak)	133 MB/s
Simultaneous Drive Transfer Channels	One
Total Transfer Rate	80 MB/s per channel
Software Upgradeable Firmware	Yes
Cache	6-MB of ECC protected read cache
Reliability Features	
Distributed Data Regarding (RAID 5)	Yes
Drive Mirroring (RAID 1)	Yes
Drive Stripping (RAID 0, 0+1)	Yes
Automatic Data Recovery	Yes

64-Bit / 66-MHz Single Channel Wide Ultra3 SCSI Adapter

Drives Supported	Up to 14 SCSI devices
Storage Capacity	254.8 GB
Data Transfer Method	64-bit / 66-MHz PCI bus-master
Maximum SCSI Channel Transfer Rate	160 MB/s per channel
Maximum Transfer Rate per PCI Bus (peak)	532 MB/s per channel
SCSI Protocols	Wide Ultra3 SCSI Wide Ultra2 SCSI Wide-Ultra SCSI-3 Fast-Wide SCSI-2 Fast SCSI-2
Electrical Protocol	Low Voltage Differential (LVD)
SCSI Termination	Active Termination
External SCSI Connectors	One 68-Pin Wide Ultra SCSI-3 connector
Internal SCSI Connectors	Two 68-Pin Wide Ultra SCSI-3 connectors (one LVD and one SE) One 50-Pin Narrow Ultra connector

64-Bit / 66-MHz Dual Channel Wide-Ultra3 SCSI Adapter

Drives Supported	Up to 28 SCSI devices (14 per channel)
Storage Capacity	1.019 TB
Data Transfer Method	64-bit / 66-MHz PCI bus master
Maximum SCSI Channel Transfer Rate	160 MB/s per channel
Maximum Transfer Rate per PCI Bus (peak)	532 MB/s per channel
SCSI Protocols	Wide Ultra3 SCSI Wide Ultra2 SCSI Wide-Ultra SCSI-3 Fast-Wide SCSI-2 Fast SCSI-2
Electrical Protocols	Low Voltage Differential (LVD)
SCSI Termination	Active Termination
External SCSI Connectors	Two 68-Pin VHDCI connectors
Internal SCSI Connectors	Two 68-Pin Wide Ultra SCSI-3 connectors One 50-Pin Narrow Ultra connector

Technical Specifications

64-Bit Dual Channel Wide-Ultra3 SCSI Adapter

Drives Supported	Up to 28 SCSI devices (14 per channel)
Storage Capacity	509.6 GB
Data Transfer Method	64-bit PCI bus master
Maximum SCSI Channel Transfer Rate	80 MB/s per channel
Maximum Transfer Rate per PCI Bus (peak)	133 MB/s per channel
SCSI Protocols	Wide Ultra2 SCSI Wide-Ultra SCSI-3 Fast-Wide SCSI-2 Fast SCSI-2
Electrical Protocols	Low Voltage Differential (LVD)
SCSI Termination	Active Termination
External SCSI Connectors	Two 80-Pin VHDCI connectors
Internal SCSI Connectors	Two 68-Pin Wide Ultra SCSI-3 connectors

Compaq 10/100 TX PCI UTP Controller

Network Interface	10Base-T/100Base-TX
Compatibility	IEEE 802.3/802.3u compliant
Data Transfer Method	32-bit bus-master PCI
Network Transfer Rate	
10Base-T (Half-Duplex), 10Base-2	10 Mb/s
10Base-T (Full-Duplex)	20 Mb/s
100Base-TX (Half-Duplex), 100VG-AnyLAN	100 Mb/s
100Base-TX (Full-Duplex)	200 Mb/s
Connector	RJ-45
Cable Support	
10Base-T	Categories 3, 4 or 5 UTP (2 or 4 pair); up to 328 feet (100 meters)
100Base-TX	Category 5 UTP (2 pair); up to 328 feet (100 meters)

Compaq NC3120 10/100 TX PCI UTP Controller

Network Interface	10Base-T/100Base-TX
Compatibility	IEEE 802.3/802.3u compliant
Data Transfer Method	32-bit bus-master PCI
Network Transfer Rate	
10Base-T (Half-Duplex)	10 Mb/s
10Base-T (Full-Duplex)	20 Mb/s
100Base-TX (Half-Duplex)	100 Mb/s
100Base-TX (Full-Duplex)	200 Mb/s
Connector	RJ-45
Cable Support	
10Base-T	Categories 3, 4 or 5 UTP (2 or 4 pair); up to 328 feet (100 meters)
100Base-TX	Category 5 UTP (2 pair); up to 328 feet (100 meters)

QUICKSPECS

Compaq ProLiant 3000
Pentium II Models

Technical Specifications

Compaq Rack 9142 (42U) (optional)	Dimensions	Total Cabinet	Shipping	Color
	Height	78.7 in/2,000 mm	83.38 in/2,168.65 mm	
	Depth	35.8 in/909 mm	48 in/1219.2 mm	Opal
	Width	23.7 in/603 mm	32 in/812.8 mm	
	Weight	253 lbs/114.84 kg	325 lbs/147.52 kg	
Compaq Rack 9136 (36U) (optional)	Dimensions	Total Cabinet	Shipping	Color
	Height	68.6 in/1,742 mm	75.25 in/1,911.35 mm	
	Depth	35.8 in/909 mm	48 in/1219.2 mm	Opal
	Width	23.7 in/603 mm	32 in/812.8 mm	
	Weight	165 lbs/75 kg	234 lbs/106 kg	
Compaq Rack 9122 (22U) (optional)	Dimensions	Total Cabinet	Shipping	Color
	Height	43 in/1,092 mm	52.25 in/1,327.15 mm	
	Depth	35.8 in/909 mm	48 in/1219.2 mm	Opal
	Width	24 in/610 mm	32 in/812.8 mm	
	Weight	176 lbs/79.89 kg	225 lbs/102.13 kg	
Compaq Rack 7142 (42U) (optional)	Dimensions	Total Cabinet	Usable Area	Shipping
	Height	85 in/215.9 cm	73.5 in/186.69 cm	90.75 in/230.5 cm
	Depth	33.25 in/84.45 cm	29.21 in/74.19 cm	48 in/121.92 cm
	Width	23.25 in/59.05 cm	19 in/48.26 cm	32 in/81.28 cm
	Weight	253 lbs/114.84 kg	—	325 lbs/147.52 kg
Compaq Rack 4136 (36U) (optional)	Dimensions	Total Cabinet	Usable Area	Shipping
	Height	67.97 in/172.5 cm	63.05 in/160.02 cm	85.25 in/203.84 cm
	Depth	33.25 in/84.45 cm	29.21 in/74.19 cm	48 in/121.92 cm
	Width	23.25 in/59.05 cm	19 in/48.26 cm	32 in/81.28 cm
	Weight	165 lbs/75 kg	—	234 lbs/106 kg
Compaq Rack 7122 (22U) (optional)	Dimensions	Total Cabinet	Usable Area	Shipping
	Height	49.5 in/125.7 cm	38.5 in/97.79 cm	56.63 in/143.84 cm
	Depth	33.25 in/84.45 cm	29.21 in/74.19 cm	48 in/121.92 cm
	Width	23.25 in/59.05 cm	19 in/48.26 cm	32 in/81.28 cm
	Weight	176 lbs/79.89 kg	—	225 lbs/102.13 kg

Technical Specifications

OS Driver Support

Operating Systems	Current Drivers	Driver Location (Punch-out diskettes only. Please note this web site is available in English only.)
Microsoft Windows NT Server 3.51	NTSSD 1.38a	SmartStart CD and www.compaq.com
Microsoft Windows NT Server 4.0	NTSSD 2.17a	SmartStart CD and www.compaq.com
Microsoft Windows NT Server, Enterprise Edition 4.0	NTSSD 2.17a	SmartStart CD and www.compaq.com
Microsoft Windows NT Server 4.0, Terminal Server Edition	NTSSD 2.17a	SmartStart CD and www.compaq.com
Microsoft Windows 2000 Server	Support Software Bundle for Windows 2000 5.02a	SmartStart CD and www.compaq.com
Novell NetWare 3.2	NSSD 5.50	SmartStart CD and www.compaq.com
Novell NetWare 4.2 SMP	NSSD 5.50	SmartStart CD and www.compaq.com
Novell NetWare 4.2, 5	NSSD 5.50	SmartStart CD and www.compaq.com
SCO OpenServer 5.0.2, 5.0.4, 5.0.5	EFS 5.34	SmartStart CD and www.compaq.com
SCO UnixWare 2.1.1, 2.1.2, 2.1.3	EFS 2.34	SmartStart CD and www.compaq.com
SCO UnixWare 7.0, 7.1	EFS 7.34	SmartStart CD and www.compaq.com
IBM OS/2 Warp 4	OS2SSD 4.40A NICSSD 1.55A	SmartStart CD and www.compaq.com
IBM OS/2 Warp Server 4	OS2SSD 4.00A NICSSD 1.55A	SmartStart CD and www.compaq.com
IBM OS/2 Warp Server Advanced 4	OS2SSD 4.40A NICSSD 1.55A	SmartStart CD and www.compaq.com
IBM OS/2 Warp Server Advanced 4 SMP	OS2SSD 4.40A NICSSD 1.55A	SmartStart CD and www.compaq.com
Sun Solaris 8 Intel Platform Edition	Solaris Driver Update 1.10	www.compaq.com
Sun Solaris 7 Intel Platform Edition	Solaris Driver Update 1.10	www.compaq.com
Sun Solaris 2.6 Intel Platform Edition	Solaris Driver Update 1.10	www.compaq.com
<p>(Note:Not all storage controllers are supported under Solaris 2.6, 7, and 8. Please refer to the Supported Devices list on the Solaris Driver Update download page.</p> <p>Please see customer advisories for addition information on Solaris 8 installation.)</p>		
Banyan VINES 8.5	PAT 3.05 LAT 3.03	SmartStart CD and www.compaq.com