

---

# SCSI Hard Drive Configuration Charts



## SCSI DEFINITIONS

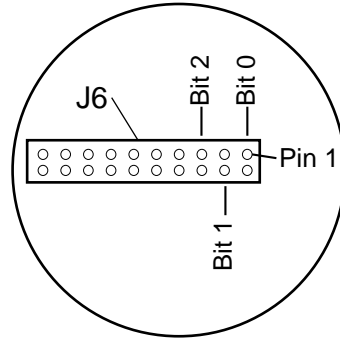
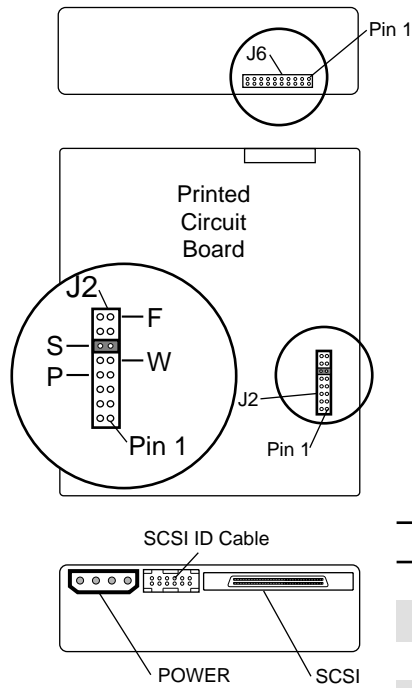
**PARK.** The jumper option park applies when the jumper is present but not shorting the pins together. In other words, it is positioned off to one side of the pins.

**KEY.** The jumper option key applies when the pins on the hard drive are clipped off and no jumper can be placed in the position.

# SCSI Hard Drive Configuration Charts

Drive Size: **18.2 GB**

Model: **BC01821938**



## SCSI ID Settings

SCSI ID	Bit 2	Bit 1	Bit 0
0	○ ○	○ ○	○ ○
1	○ ○	○ ○	● ●
2	○ ○	● ●	○ ○
3	○ ○	● ●	● ●
4	● ●	○ ○	○ ○
5	● ●	○ ○	● ●
6	● ●	● ●	○ ○

**Key** ○ ○ Jumper NOT Installed  
 ● ● Jumper Installed

### NOTES:

1. All jumper and switch settings are shown in the factory default setting, including those not labeled.
2. Termination default is disabled/removed.

## Default Settings

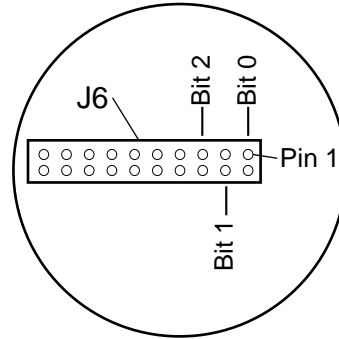
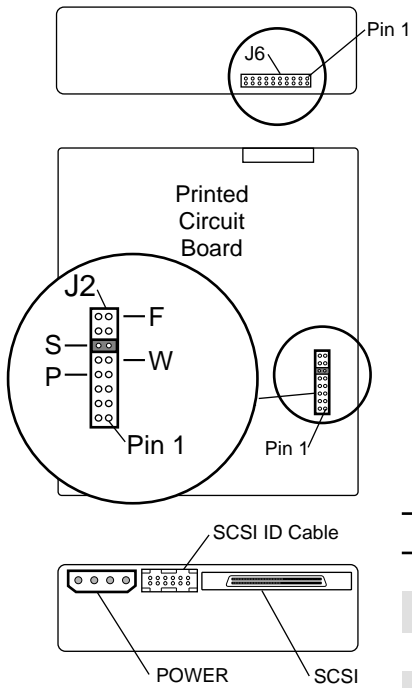
Signal	Description	Jumper
S	Start Unit Command Enabled	● ●
P	Parity Enabled	○ ○
W	Write Protect Disabled	○ ○
F	Force Single-Ended Mode	○ ○

**Key** ○ ○ Jumper NOT Installed  
 ● ● Jumper Installed

# SCSI Hard Drive Configuration Charts

Drive Size: **18.2 GB**

Model: **BB01821AC3**



## SCSI ID Settings

SCSI ID	Bit 2	Bit 1	Bit 0
0	○	○	○
1	○	○	●
2	○	●	○
3	○	●	●
4	●	○	○
5	●	○	●
6	●	●	○

**Key** ○ Jumper NOT Installed  
 ● Jumper Installed

### NOTES:

1. All jumper and switch settings are shown in the factory default setting, including those not labeled.
2. Termination default is disabled/removed.

## Default Settings

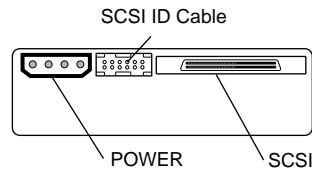
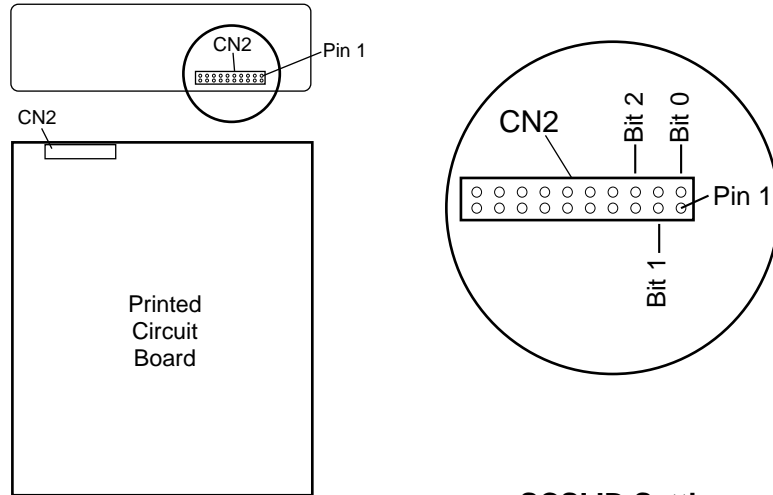
Signal	Description	Jumper
S	Start Unit Command Enabled	●●
P	Parity Enabled	○○
W	Write Protect Disabled	○○
F	Force Single-Ended Mode	○○

**Key** ○○ Jumper NOT Installed  
 ●● Jumper Installed

# SCSI Hard Drive Configuration Charts

Drive Size: **18.2 GB**

Model: **BB018222B8**



## SCSI ID Settings

SCSI ID	Bit 2	Bit 1	Bit 0
0	○○	○○	○○
1	○○	○○	●●
2	○○	●●	○○
3	○○	●●	●●
4	●●	○○	○○
5	●●	○○	●●
6	●●	●●	○○

**Key** ○○ Jumper NOT Installed  
 ●● Jumper Installed

### NOTES:

1. All jumper and switch settings are shown in the factory default setting, including those not labeled.
2. Termination default is disabled/removed.

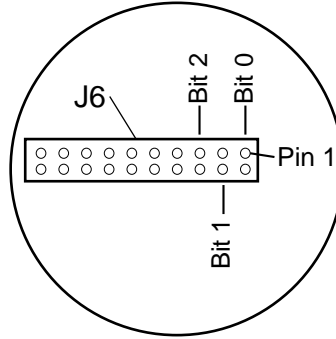
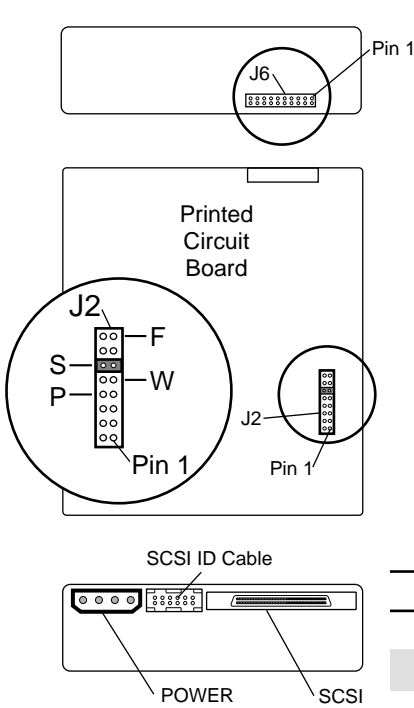
## Default Settings

Signal	Description	Jumper
S	Start Unit Command Enabled	●●
P	Parity Enabled	○○
W	Write Protect Disabled	○○
F	Force Single-Ended Mode	○○

**Key** ○○ Jumper NOT Installed  
 ●● Jumper Installed

# SCSI Hard Drive Configuration Charts

**Drive Size: 18.2 GB Model: BD018222C1**



**IMPORTANT:**

This drive is intended for non-pluggable applications only. Migration to a Pluggable Drive Tray is not supported.

**SCSI ID Settings**

SCSI ID	Bit 2	Bit 1	Bit 0
0	○ ○	○ ○	○ ○
1	○ ○	○ ○	■ ■
2	○ ○	■ ■	○ ○
3	○ ○	■ ■	■ ■
4	■ ■	○ ○	○ ○
5	■ ■	○ ○	■ ■
6	■ ■	■ ■	○ ○

**Key** ○ ○ Jumper NOT Installed  
 ■ ■ Jumper Installed

**NOTES:**

1. All jumper and switch settings are shown in the factory default setting, including those not labeled.
2. Termination default is disabled/removed.

**Default Settings**

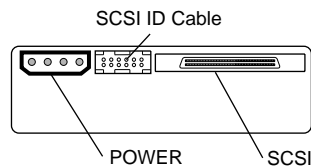
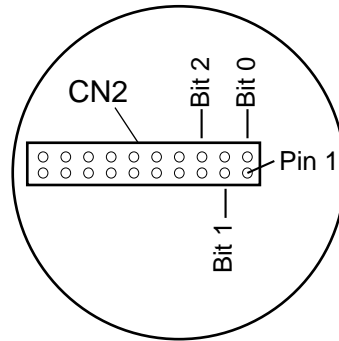
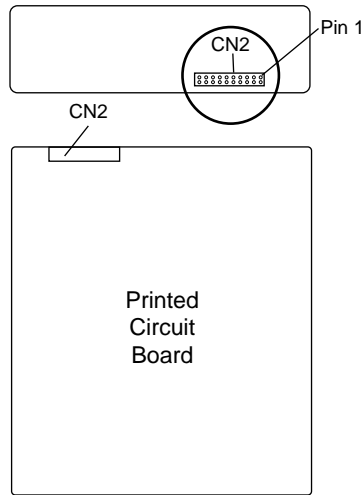
Signal	Description	Jumper
S	Start Unit Command Enabled	■ ■
P	Parity Enabled	○ ○
W	Write Protect Disabled	○ ○
F	Force Single-Ended Mode Disabled	○ ○

**Key** ○ ○ Jumper NOT Installed  
 ■ ■ Jumper Installed

# SCSI Hard Drive Configuration Charts

Drive Size: **18.2 GB**

Model: **BD018222CA**



## SCSI ID Settings

SCSI ID	Bit 2	Bit 1	Bit 0
0	○ ○	○ ○	○ ○
1	○ ○	○ ○	● ●
2	○ ○	● ●	○ ○
3	○ ○	● ●	● ●
4	● ●	○ ○	○ ○
5	● ●	○ ○	● ●
6	● ●	● ●	○ ○

**Key** ○ ○ Jumper NOT Installed  
 ● ● Jumper Installed

### NOTES:

1. All jumper and switch settings are shown in the factory default setting, including those not labeled.
2. Termination default is disabled/removed.

## Default Settings

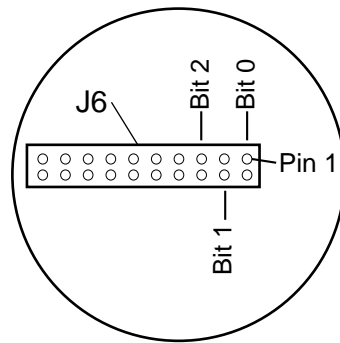
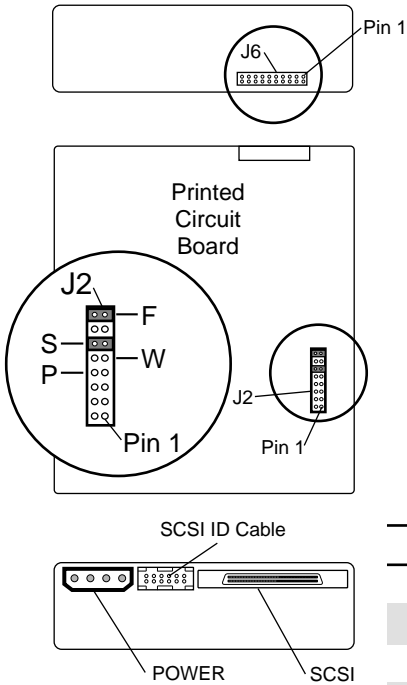
Signal	Description	Jumper
S	Start Unit Command Enabled	● ●
P	Parity Enabled	○ ○
W	Write Protect Disabled	○ ○
F	Force Single-Ended Mode	○ ○

**Key** ○ ○ Jumper NOT Installed  
 ● ● Jumper Installed

# SCSI Hard Drive Configuration Charts

Drive Size: **18.2 GB**

Model: **HC01841729**



## SCSI ID Settings

SCSI ID	Bit 2	Bit 1	Bit 0
0	○ ○	○ ○	○ ○
1	○ ○	○ ○	■ ■
2	○ ○	■ ■	○ ○
3	○ ○	■ ■	■ ■
4	■ ■	○ ○	○ ○
5	■ ■	○ ○	■ ■
6	■ ■	■ ■	○ ○

**Key** ○ ○ Jumper NOT Installed  
 ■ ■ Jumper Installed

## NOTES:

1. All jumper and switch settings are shown in the factory default setting, including those not labeled.
2. Termination default is disabled/removed.

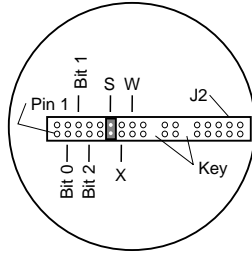
## Default Settings

Signal	Description	Jumper
S	Start Unit Command Enabled	■ ■
P	Parity Enabled	○ ○
W	Write Protect Disabled	○ ○
F	Force Single-Ended Mode	■ ■

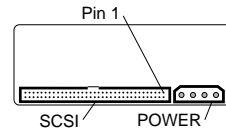
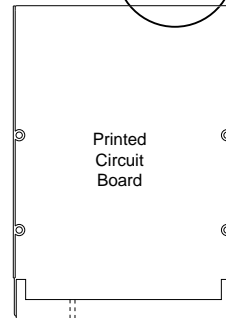
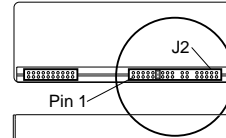
**Key** ○ ○ Jumper NOT Installed  
 ■ ■ Jumper Installed

# SCSI Hard Drive Configuration Charts

**Drive Size: 9.1 GB Model: 3391NS**



For Hot-Pluggable Drive Tray, connect SCSI ID Cable to this Connector



### SCSI ID Settings

SCSI ID	Bit 2	Bit 1	Bit 0
0	○	○	○
1	○	○	■
2	○	■	○
3	○	■	■
4	■	○	○
5	■	○	■
6	■	■	○

### NOTES:

1. All jumper and switch settings are shown in the factory default setting, including those not labeled.
2. Termination default is disabled/removed.

**Key** ○ Jumper NOT Installed  
 ■ Jumper Installed  
 \*\* Not Configurable

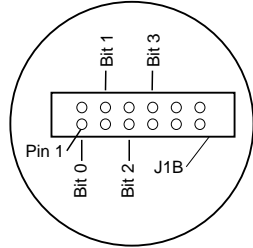
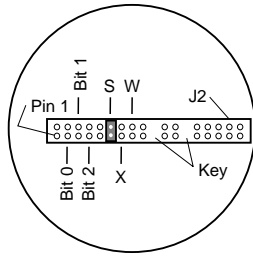
### Default Settings

Signal	Description	Jumper
S	Start Unit Command Enabled	■
	Parity Enabled**	n/a
W	Write Protect Disabled	○
X	Synch Data Transfer Enabled**	○

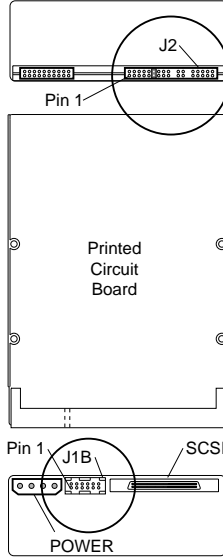


# SCSI Hard Drive Configuration Charts

**Drive Size: 9.1 GB Model: 3391WS**



For Hot-Pluggable Drive Tray, connect SCSI ID Cable to this Connector



### SCSI ID Settings

SCSI ID	Bit 2	Bit 1	Bit 0
0	○	○	○
1	○	○	■
2	○	■	○
3	○	■	■
4	■	○	○
5	■	○	■
6	■	■	○

### Default Settings

Signal	Description	Jumper
S	Start Unit Command Enabled	■
	Parity Enabled**	n/a
W	Write Protect Disabled	○
X	Synch Data Transfer Enabled**	○

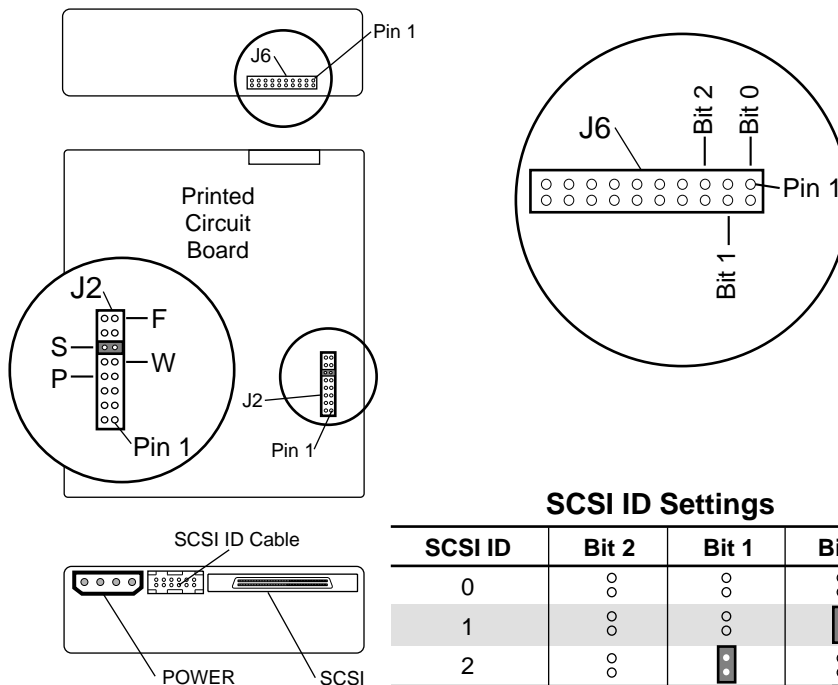
### NOTES:

1. All jumper and switch settings are shown in the factory default setting, including those not labeled.
2. Termination default is disabled/removed.

**Key** ○ Jumper NOT Installed  
 ■ Jumper Installed  
 \*\* Not Configurable

**Drive Size: 9.1 GB**

**Model: BB00921791**



**SCSI ID Settings**

SCSI ID	Bit 2	Bit 1	Bit 0
0	○ ○	○ ○	○ ○
1	○ ○	○ ○	● ●
2	○ ○	● ●	○ ○
3	○ ○	● ●	● ●
4	● ●	○ ○	○ ○
5	● ●	○ ○	● ●
6	● ●	● ●	○ ○

**Key** ○ ○ Jumper NOT Installed  
 ● ● Jumper Installed

**NOTES:**

1. All jumper and switch settings are shown in the factory default setting, including those not labeled.
2. Termination default is disabled/removed.

**Default Settings**

Signal	Description	Jumper
S	Start Unit Command Enabled	● ●
P	Parity Enabled	○ ○
W	Write Protect Disabled	○ ○
F	Force Single-Ended Mode	○ ○

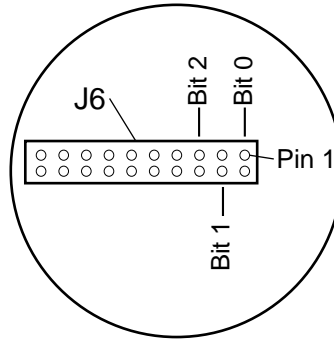
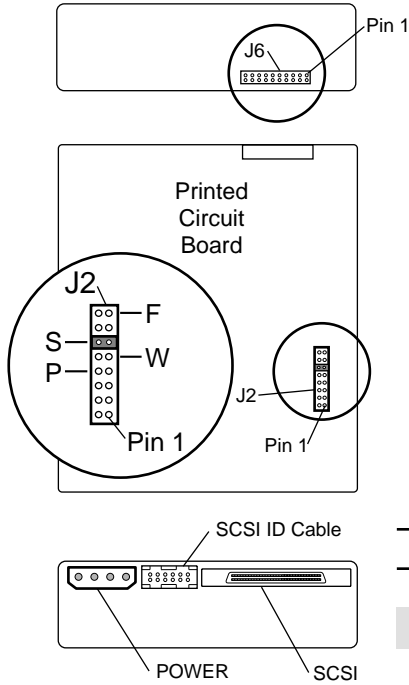
**Key** ○ ○ Jumper NOT Installed  
 ● ● Jumper Installed

# SCSI Hard Drive Configuration Charts

Drive Size:

**9.1 GB**

Model: **BB00921B91**



## SCSI ID Settings

SCSI ID	Bit 2	Bit 1	Bit 0
0	○ ○	○ ○	○ ○
1	○ ○	○ ○	● ●
2	○ ○	● ●	○ ○
3	○ ○	● ●	● ●
4	● ●	○ ○	○ ○
5	● ●	○ ○	● ●
6	● ●	● ●	○ ○

**Key** ○ ○ Jumper NOT Installed  
 ● ● Jumper Installed

## NOTES:

1. All jumper and switch settings are shown in the factory default setting, including those not labeled.
2. Termination default is disabled/removed.

## Default Settings

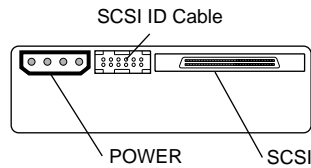
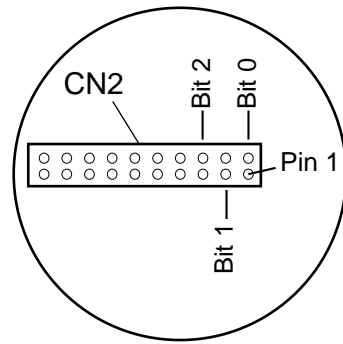
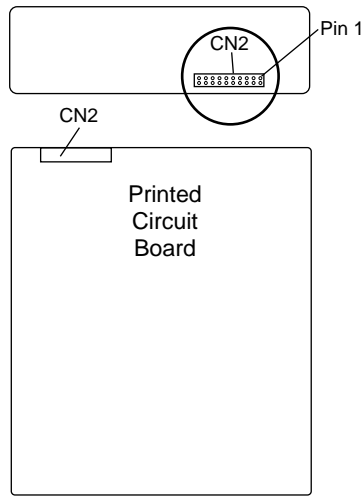
Signal	Description	Jumper
S	Start Unit Command Enabled	● ●
P	Parity Enabled	○ ○
W	Write Protect Disabled	○ ○
F	Force Single-Ended Mode	○ ○

**Key** ○ ○ Jumper NOT Installed  
 ● ● Jumper Installed

# SCSI Hard Drive Configuration Charts

Drive Size: **9.1 GB**

Model: **BB009222B5**



## SCSI ID Settings

SCSI ID	Bit 2	Bit 1	Bit 0
0	○ ○	○ ○	○ ○
1	○ ○	○ ○	● ●
2	○ ○	● ●	○ ○
3	○ ○	● ●	● ●
4	● ●	○ ○	○ ○
5	● ●	○ ○	● ●
6	● ●	● ●	○ ○

**Key** ○ ○ Jumper NOT Installed  
 ● ● Jumper Installed

### NOTES:

1. All jumper and switch settings are shown in the factory default setting, including those not labeled.
2. Termination default is disabled/removed.

## Default Settings

Signal	Description	Jumper
S	Start Unit Command Enabled	● ●
P	Parity Enabled	○ ○
W	Write Protect Disabled	○ ○
F	Force Single-Ended Mode	○ ○

**Key** ○ ○ Jumper NOT Installed  
 ● ● Jumper Installed

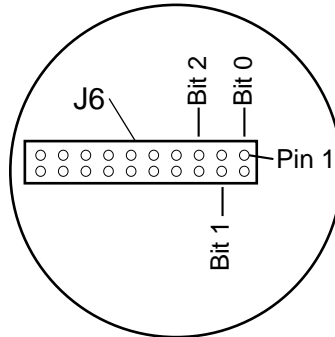
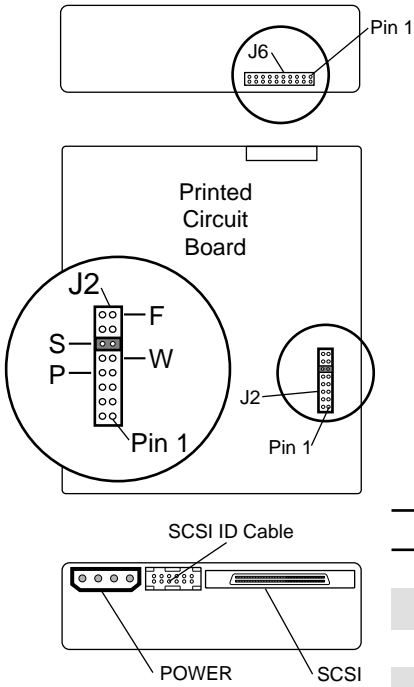
# SCSI Hard Drive Configuration Charts

Drive Size:

**9.1 GB**

Model:

**BD00921937**



## SCSI ID Settings

SCSI ID	Bit 2	Bit 1	Bit 0
0	○ ○	○ ○	○ ○
1	○ ○	○ ○	■ ■
2	○ ○	■ ■	○ ○
3	○ ○	■ ■	■ ■
4	■ ■	○ ○	○ ○
5	■ ■	○ ○	■ ■
6	■ ■	■ ■	○ ○

**Key** ○ ○ Jumper NOT Installed  
 ● ■ Jumper Installed

## NOTES:

1. All jumper and switch settings are shown in the factory default setting, including those not labeled.
2. Termination default is disabled/removed.

## Default Settings

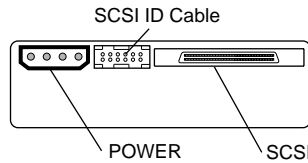
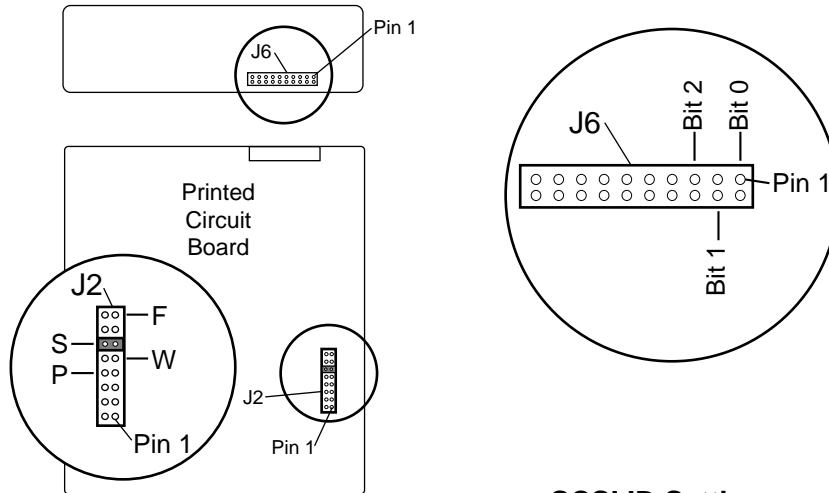
Signal	Description	Jumper
S	Start Unit Command Enabled	■ ■
P	Parity Enabled	○ ○
W	Write Protect Disabled	○ ○
F	Force Single-Ended Mode	○ ○

**Key** ○ ○ Jumper NOT Installed  
 ● ■ Jumper Installed

# SCSI Hard Drive Configuration Charts

Drive Size: **9.1 GB**

Model: **BD009222BB**



## SCSI ID Settings

SCSI ID	Bit 2	Bit 1	Bit 0
0	○ ○	○ ○	○ ○
1	○ ○	○ ○	● ●
2	○ ○	● ●	○ ○
3	○ ○	● ●	● ●
4	● ●	○ ○	○ ○
5	● ●	○ ○	● ●
6	● ●	● ●	○ ○

**Key** ○ ○ Jumper NOT Installed  
 ● ● Jumper Installed

## NOTES:

1. All jumper and switch settings are shown in the factory default setting, including those not labeled.
2. Termination default is disabled/removed.

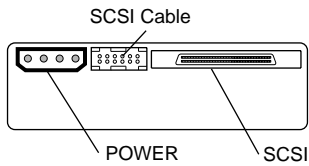
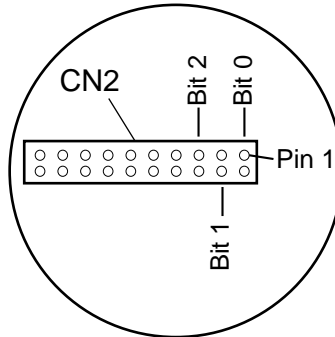
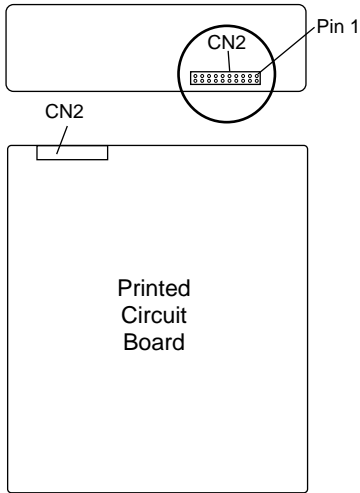
## Default Settings

Signal	Description	Jumper
S	Start Unit Command Enabled	● ●
P	Parity Enabled	○ ○
W	Write Protect Disabled	○ ○
F	Force Single-Ended Mode Disabled	○ ○

**Key** ○ ○ Jumper NOT Installed  
 ● ● Jumper Installed

# SCSI Hard Drive Configuration Charts

**Drive Size: 9.1 GB Model: BD009222C7**



## SCSI ID Settings

SCSI ID	Bit 2	Bit 1	Bit 0
0	○ ○	○ ○	○ ○
1	○ ○	○ ○	■ ■
2	○ ○	■ ■	○ ○
3	○ ○	■ ■	■ ■
4	■ ■	○ ○	○ ○
5	■ ■	○ ○	■ ■
6	■ ■	■ ■	○ ○

**Key** ○ ○ Jumper NOT Installed  
 ■ ■ Jumper Installed

### NOTES:

1. All jumper and switch settings are shown in the factory default setting, including those not labeled.
2. Termination default is disabled/removed.

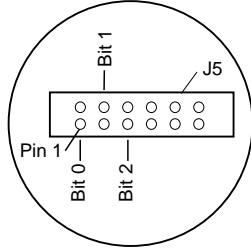
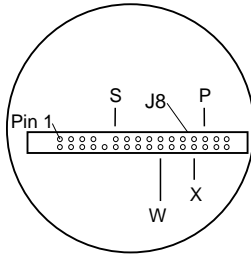
## Default Settings

Signal	Description	Jumper
S	Start Unit Command Enabled	■ ■
P	Parity Enabled	○ ○
W	Write Protect Disabled	○ ○
F	Force Single-Ended Mode	○ ○

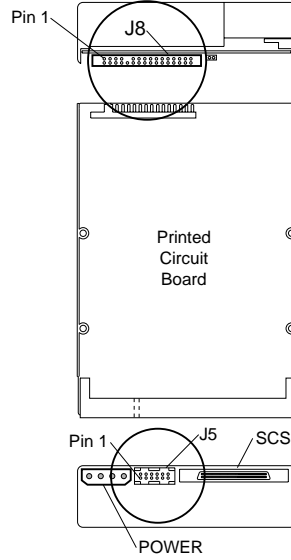
**Key** ○ ○ Jumper NOT Installed  
 ■ ■ Jumper Installed

# SCSI Hard Drive Configuration Charts

**Drive Size: 9.1 GB Model: DCHS09U**



For Hot-Pluggable Drive Tray, connect SCSI ID Cable to this Connector.



**NOTES:**

1. All jumper and switch settings are shown in the factory default setting, including those not labeled.
2. Termination default is disabled/removed.

**Key** ○ Jumper NOT Installed  
 ● Jumper Installed

**SCSI ID Settings**

SCSI ID	Bit 2	Bit 1	Bit 0
0	○	○	○
1	○	○	●
2	○	●	○
3	○	●	●
4	●	○	○
5	●	○	●
6	●	●	○

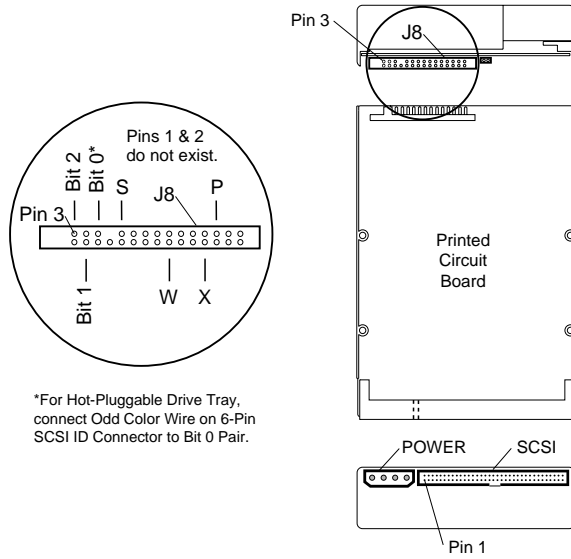
**Default Settings**

Signal	Description	Jumper
S	Autostart Enable	○
P	Parity Disable	○
W	Write Protect Enable	○
X	Synch Data Transfer Disable	○



# SCSI Hard Drive Configuration Charts

**Drive Size: 9.1 GB Model: DCHS09Z**



\*For Hot-Pluggable Drive Tray, connect Odd Color Wire on 6-Pin SCSI ID Connector to Bit 0 Pair.

## SCSI ID Settings

SCSI ID	Bit 2	Bit 1	Bit 0
0	○	○	○
1	○	○	■
2	○	■	■
3	○	■	■
4	■	○	○
5	■	○	■
6	■	■	○

### NOTES:

1. All jumper and switch settings are shown in the factory default setting, including those not labeled.
2. Termination default is disabled/removed.

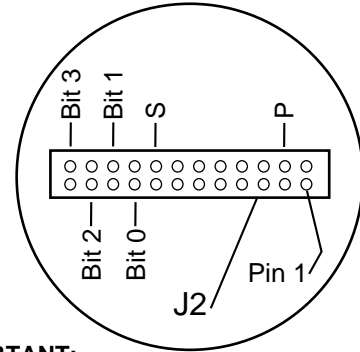
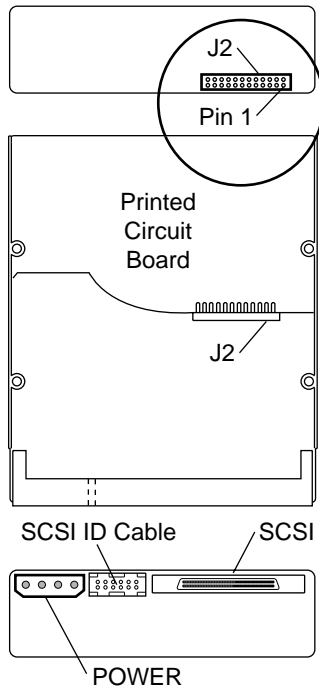
## Default Settings

Signal	Description	Jumper
S	Autostart Enable	○
P	Parity Disable	○
W	Write Protect Enable	○
X	Synch Data Transfer Disable	○

**Key** ○ Jumper NOT Installed  
 ■ Jumper Installed

# SCSI Hard Drive Configuration Charts

Drive Size: **9.1 GB** Model: **DDRS-39130**



**IMPORTANT:**

This drive is intended for non-pluggable applications only. Migration to a Pluggable Drive Tray is not supported.

**SCSI ID Settings**

SCSI ID	Bit 2	Bit 1	Bit 0
0	○ ○	○ ○	○ ○
1	○ ○	○ ○	● ○
2	○ ○	● ○	○ ○
3	○ ○	● ○	● ○
4	● ○	○ ○	○ ○
5	● ○	○ ○	● ○
6	● ○	● ○	○ ○

**Key** ○ Jumper NOT Installed  
 ● Jumper Installed

**NOTES:**

1. All jumper and switch settings are shown in the factory default setting, including those not labeled.
2. Termination default is disabled/removed.

**Default Settings**

Signal	Description	Jumper
S	Start Unit Command Enabled	○ ○
P	Parity Enabled	○ ○
W	Write Protect Disabled	n/a
X	Synch Data Transfer Enabled	n/a

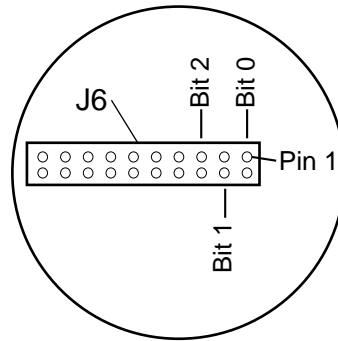
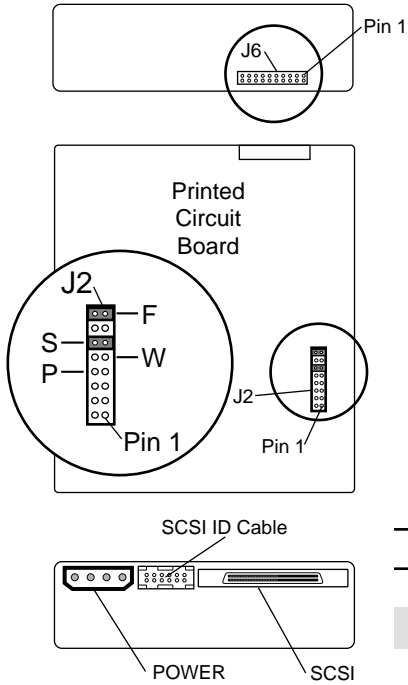
**Key** ○ Jumper NOT Installed  
 ● Jumper Installed

# SCSI Hard Drive Configuration Charts

Drive Size:

**9.1 GB**

Model: **HD0094172B**



## SCSI ID Settings

SCSI ID	Bit 2	Bit 1	Bit 0
0	○ ○	○ ○	○ ○
1	○ ○	○ ○	■ ■
2	○ ○	■ ■	○ ○
3	○ ○	■ ■	■ ■
4	■ ■	○ ○	○ ○
5	■ ■	○ ○	■ ■
6	■ ■	■ ■	○ ○

**Key** ○ ○ Jumper NOT Installed  
 ■ ■ Jumper Installed

## NOTES:

1. All jumper and switch settings are shown in the factory default setting, including those not labeled.
2. Termination default is disabled/removed.

## Default Settings

Signal	Description	Jumper
S	Start Unit Command Enabled	■ ■
P	Parity Enabled	○ ○
W	Write Protect Disabled	○ ○
F	Force Single-Ended Mode	■ ■

**Key** ○ ○ Jumper NOT Installed  
 ■ ■ Jumper Installed

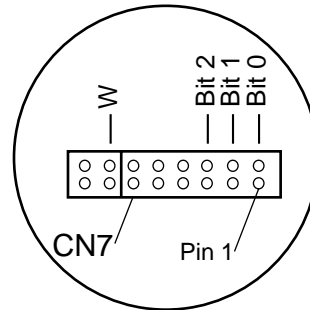
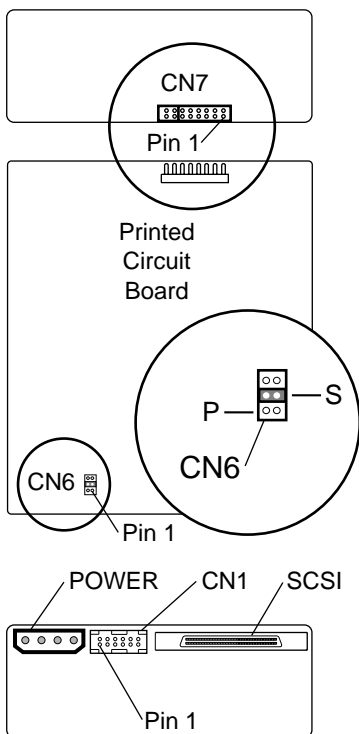
# SCSI Hard Drive Configuration Charts

Drive Size:

**9.1GB**

Model:

**MAB3091SP**



**IMPORTANT:**

This drive is intended for non-pluggable applications only. Migration to a Pluggable Drive Tray is not supported.

**SCSI ID Settings**

SCSI ID	Bit 2	Bit 1	Bit 0
0	○ ○	○ ○	○ ○
1	○ ○	○ ○	● ●
2	○ ○	● ●	○ ○
3	○ ○	● ●	● ●
4	● ●	○ ○	○ ○
5	● ●	○ ○	● ●
6	● ●	● ●	○ ○

**NOTES:**

1. All jumper and switch settings are shown in the factory default setting, including those not labeled.
2. Termination default is disabled/removed.

**Default Settings**

Signal	Description	Jumper
S	Start Unit Command Enabled	● ●
P	Parity Enabled	○ ○
W	Write Protect Disabled	○ ○
	Synch Data Transfer Enabled	n/a

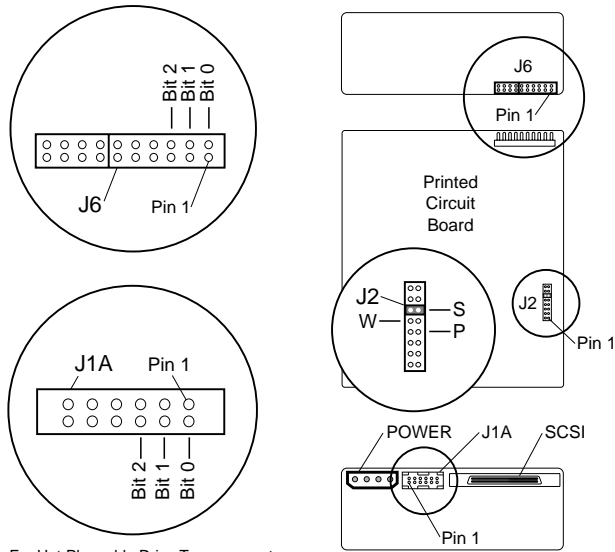
**CN6 Default Settings**

Pins	Description	Jumper
1-2	SCSI Termination Resistor	○ ○
3-4	Start Unit Command Enabled	● ●
5-6	Setting Terminator Power Supplied	○ ○

**Key** ○ Jumper NOT Installed  
 ● Jumper Installed

# SCSI Hard Drive Configuration Charts

**Drive Size: 9.1 GB Model: ST19101W**



For Hot-Pluggable Drive Tray, connect SCSI ID Cable to this Connector

## SCSI ID Settings

SCSI ID	Bit 2	Bit 1	Bit 0
0	○	○	○
1	○	○	■
2	○	■	○
3	○	■	■
4	■	○	○
5	■	○	■
6	■	■	○

## Default Settings

Signal	Description	Jumper
S	Start Unit Command Enabled	■
P	Parity Enabled	○
W	Write Protect Disabled	○
	Synch Data Transfer Enabled	n/a

### NOTES:

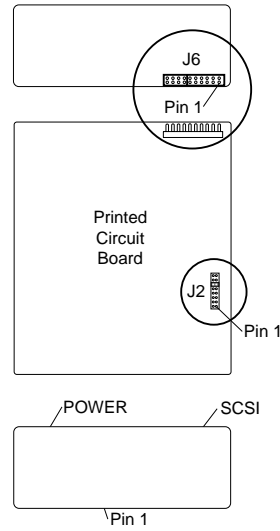
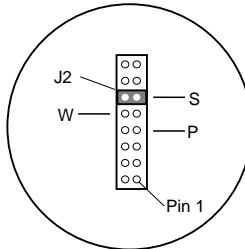
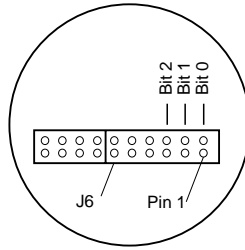
- All jumper and switch settings are shown in the factory default setting, including those not labeled.
- Termination default is disabled/removed.

**Key** ○ Jumper NOT Installed  
 ■ Jumper Installed

\*\* Not Configurable

# SCSI Hard Drive Configuration Charts

**Drive Size: 9.1 GB Model: ST19171N**



For Hot-Pluggable Drive Tray, connect SCSI ID Cable to this Connector

## SCSI ID Settings

SCSI ID	Bit 2	Bit 1	Bit 0
0	○	○	○
1	○	○	■
2	○	■	○
3	○	■	■
4	■	○	○
5	■	○	■
6	■	■	○

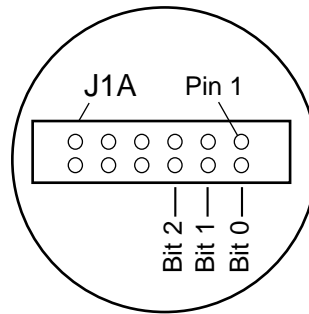
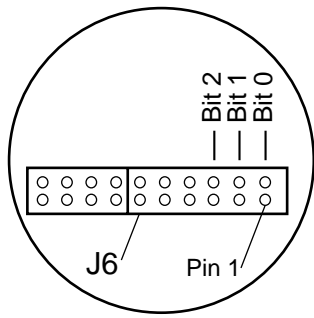
### NOTES:

1. All jumper and switch settings are shown in the factory default setting, including those not labeled.
2. Termination default is disabled/removed.

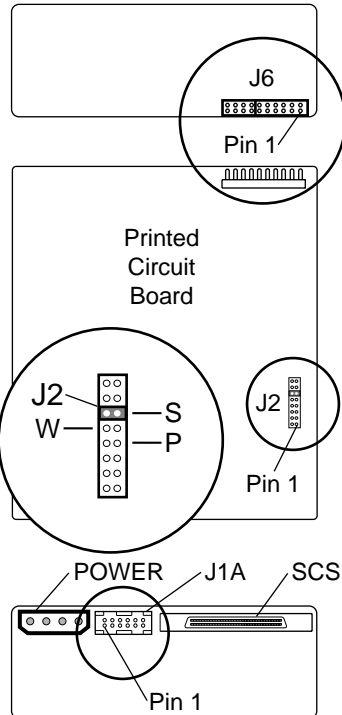
**Key** ○ Jumper NOT Installed  
 ■ Jumper Installed

## Default Settings

Signal	Description	Jumper
S	Start Unit Command Enabled	■
P	Parity Enabled	○○
W	Write Protect Disabled	○○
	Synch Data Transfer Enabled	n/a



For Pluggable Drive Tray, connect SCSI ID Cable to this Connector.



**SCSI ID Settings**

SCSI ID	Bit 2	Bit 1	Bit 0
0	○ ○	○ ○	○ ○
1	○ ○	○ ○	● ●
2	○ ○	● ●	○ ○
3	○ ○	● ●	● ●
4	● ●	○ ○	○ ○
5	● ●	○ ○	● ●
6	● ●	● ●	○ ○

**Key** ○ ○ Jumper NOT Installed  
 ● ● Jumper Installed

**Default Settings**

Signal	Description	Jumper
S	Start Unit Command Enabled	● ●
P	Parity Enabled	○ ○
W	Write Protect Disabled	○ ○
	Synch Data Transfer Enabled	n/a

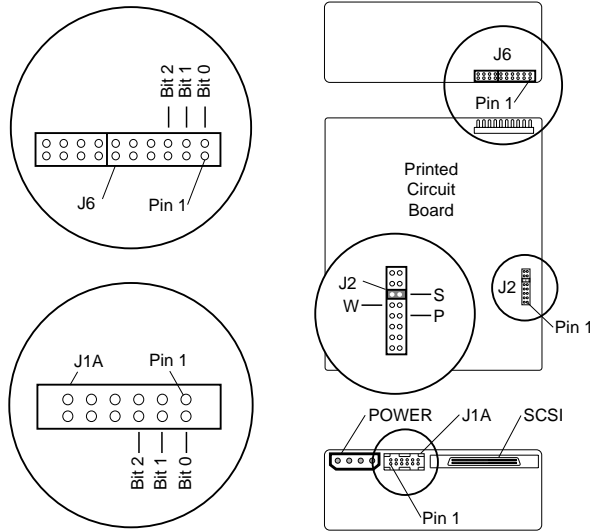
**Key** ○ ○ Jumper NOT Installed  
 ● ● Jumper Installed

**NOTES:**

1. All jumper and switch settings are shown in the factory default setting, including those not labeled.
2. Termination default is disabled/removed.

# SCSI Hard Drive Configuration Charts

**Drive Size: 9.1 GB Model: ST19171WS**



For Hot-Pluggable Drive Tray, connect SCSI ID Cable to this Connector

## SCSI ID Settings

SCSI ID	Bit 2	Bit 1	Bit 0
0	○	○	○
1	○	○	■
2	○	■	■
3	○	■	○
4	■	○	○
5	■	○	■
6	■	■	○

## Default Settings

Signal	Description	Jumper
S	Start Unit Command Enabled	■
P	Parity Enabled	○
W	Write Protect Disabled	○
	Synch Data Transfer Enabled	n/a

### NOTES:

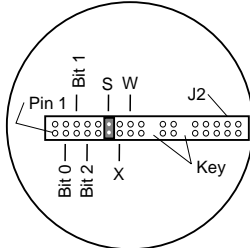
1. All jumper and switch settings are shown in the factory default setting, including those not labeled.
2. Termination default is disabled/removed.

**Key** ○ Jumper NOT Installed  
 ■ Jumper Installed

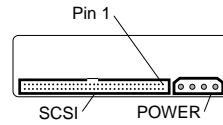
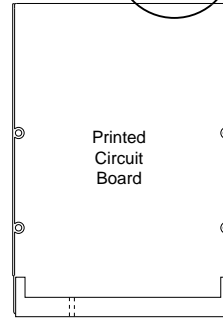
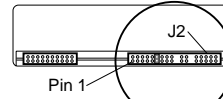


# SCSI Hard Drive Configuration Charts

**Drive Size: 4.3 GB    Model: 4345NS**



For Hot-Pluggable Drive Tray, connect SCSI ID Cable to this Connector



## SCSI ID Settings

SCSI ID	Bit 2	Bit 1	Bit 0
0	○	○	○
1	○	○	■
2	○	■	○
3	○	■	■
4	■	○	○
5	■	○	■
6	■	■	○

## NOTES:

1. All jumper and switch settings are shown in the factory default setting, including those not labeled.
2. Termination default is disabled/removed.

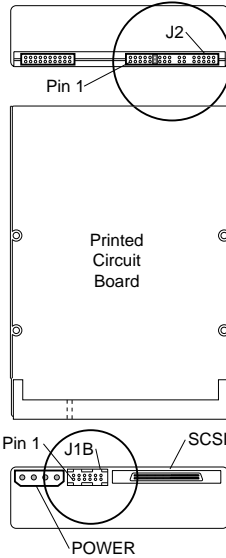
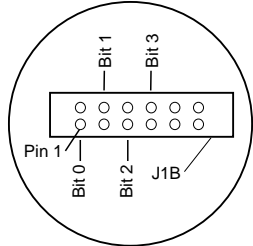
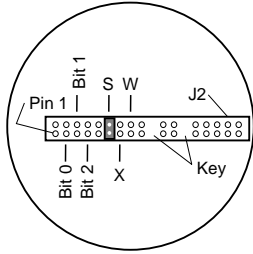
**Key** ○ Jumper NOT Installed  
 ■ Jumper Installed  
 \*\* Not Configurable

## Default Settings

Signal	Description	Jumper
S	Start Unit Command Enabled	■
	Parity Enabled**	n/a
W	Write Protect Disabled	○
X	Synch Data Transfer Enabled**	○

# SCSI Hard Drive Configuration Charts

**Drive Size: 4.3 GB Model: 4345WS**



For Hot-Pluggable Drive Tray, connect SCSI ID Cable to this Connector

### SCSI ID Settings

SCSI ID	Bit 2	Bit 1	Bit 0
0	○	○	○
1	○	○	■
2	○	■	○
3	○	■	■
4	■	○	○
5	■	○	■
6	■	■	○

### Default Settings

Signal	Description	Jumper
S	Start Unit Command Enabled	■
	Parity Enabled**	n/a
W	Write Protect Disabled	○
X	Synch Data Transfer Enabled**	○

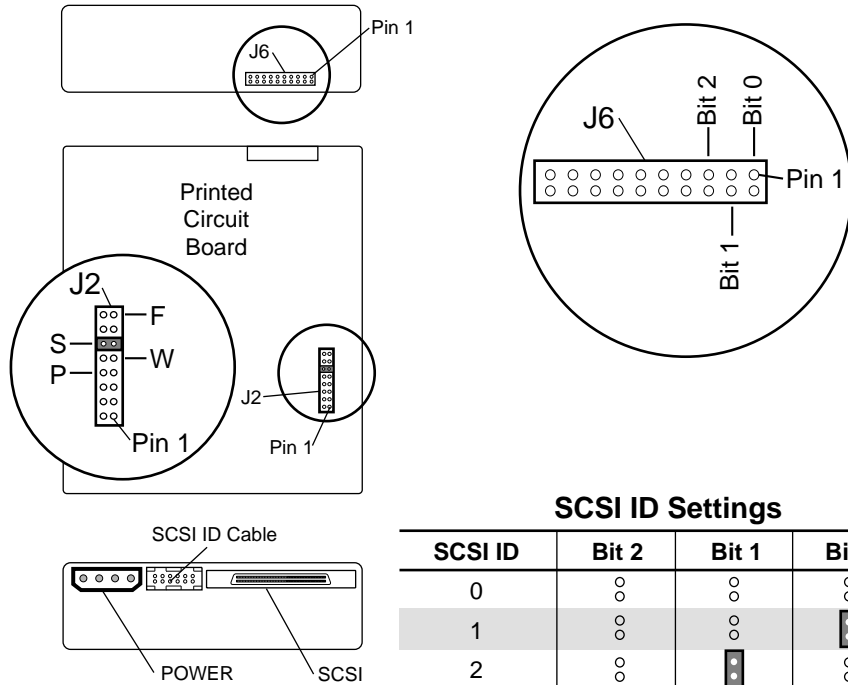
### NOTES:

1. All jumper and switch settings are shown in the factory default setting, including those not labeled.
2. Termination default is disabled/removed.

**Key** ○ Jumper NOT Installed  
 ■ Jumper Installed  
 \*\* Not Configurable

# SCSI Hard Drive Configuration Charts

**Drive Size: 4.3 GB    Model: BB00421793**



**SCSI ID Settings**

SCSI ID	Bit 2	Bit 1	Bit 0
0	○ ○	○ ○	○ ○
1	○ ○	○ ○	● ●
2	○ ○	● ●	○ ○
3	○ ○	● ●	● ●
4	● ●	○ ○	○ ○
5	● ●	○ ○	● ●
6	● ●	● ●	○ ○

**Key** ○ ○ Jumper NOT Installed  
 ● ● Jumper Installed

**NOTES:**

1. All jumper and switch settings are shown in the factory default setting, including those not labeled.
2. Termination default is disabled/removed.

**Default Settings**

Signal	Description	Jumper
S	Start Unit Command Enabled	● ●
P	Parity Enabled	○ ○
W	Write Protect Disabled	○ ○
F	Force Single-Ended Mode	○ ○

**Key** ○ ○ Jumper NOT Installed  
 ● ● Jumper Installed

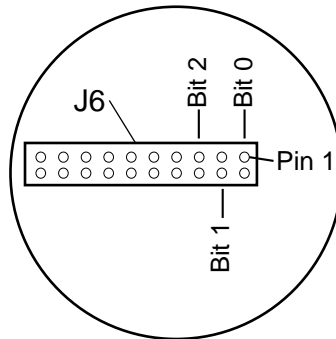
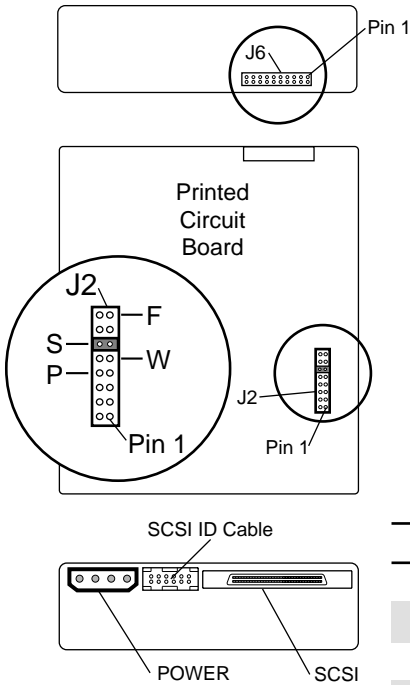
# SCSI Hard Drive Configuration Charts

Drive Size:

**4.3 GB**

Model:

**BD00421936**



## SCSI ID Settings

SCSI ID	Bit 2	Bit 1	Bit 0
0	○ ○	○ ○	○ ○
1	○ ○	○ ○	■ ■
2	○ ○	■ ■	○ ○
3	○ ○	■ ■	■ ■
4	■ ■	○ ○	○ ○
5	■ ■	○ ○	■ ■
6	■ ■	■ ■	○ ○

**Key** ○ ○ Jumper NOT Installed  
 ■ ■ Jumper Installed

### NOTES:

1. All jumper and switch settings are shown in the factory default setting, including those not labeled.
2. Termination default is disabled/removed.

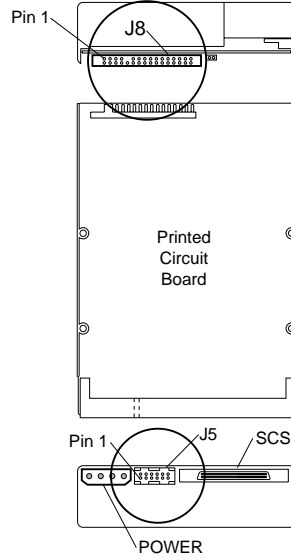
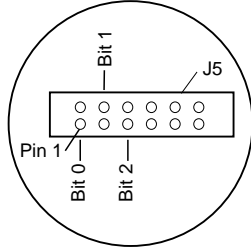
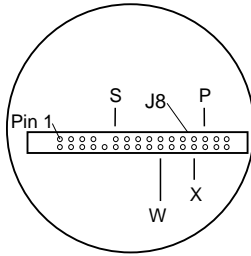
## Default Settings

Signal	Description	Jumper
S	Start Unit Command Enabled	■ ■
P	Parity Enabled	○ ○
W	Write Protect Disabled	○ ○
F	Force Single-Ended Mode	○ ○

**Key** ○ ○ Jumper NOT Installed  
 ■ ■ Jumper Installed

# SCSI Hard Drive Configuration Charts

**Drive Size: 4.3 GB Model: DCHS04U**



For Hot-Pluggable Drive Tray, connect SCSI ID Cable to this Connector.

- NOTES:**
1. All jumper and switch settings are shown in the factory default setting, including those not labeled.
  2. Termination default is disabled/removed.

**Key** ○ Jumper NOT Installed  
 ● Jumper Installed

### SCSI ID Settings

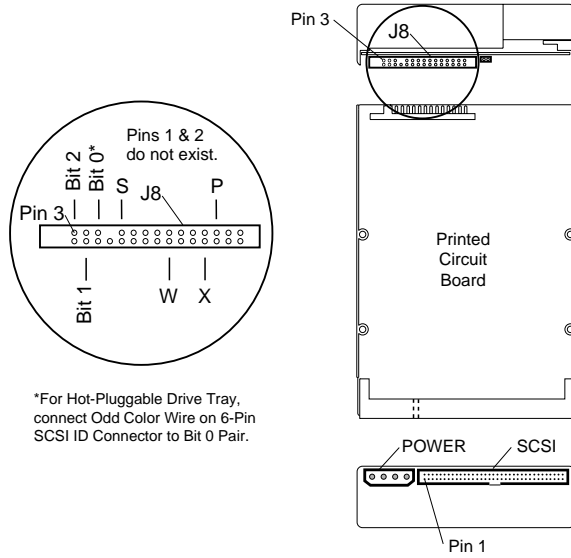
SCSI ID	Bit 2	Bit 1	Bit 0
0	○	○	○
1	○	○	●
2	○	●	○
3	○	●	●
4	●	○	○
5	●	○	●
6	●	●	○

### Default Settings

Signal	Description	Jumper
S	Autostart Enable	○
P	Parity Disable	○
W	Write Protect Enable	○
X	Synch Data Transfer Disable	○

# SCSI Hard Drive Configuration Charts

**Drive Size: 4.3 GB Model: DCHS04Z**



\*For Hot-Pluggable Drive Tray, connect Odd Color Wire on 6-Pin SCSI ID Connector to Bit 0 Pair.

## SCSI ID Settings

SCSI ID	Bit 2	Bit 1	Bit 0
0	○	○	○
1	○	○	■
2	○	■	■
3	○	■	■
4	■	○	○
5	■	○	■
6	■	■	○

### NOTES:

1. All jumper and switch settings are shown in the factory default setting, including those not labeled.
2. Termination default is disabled/removed.

## Default Settings

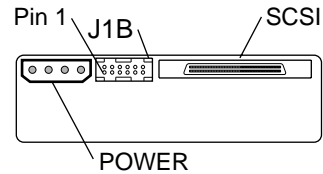
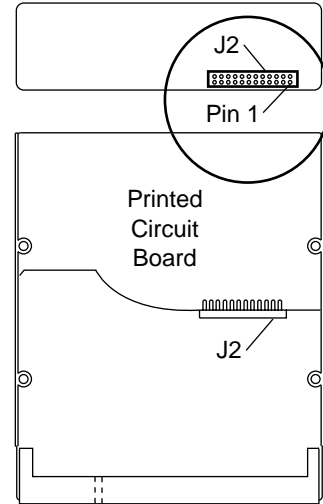
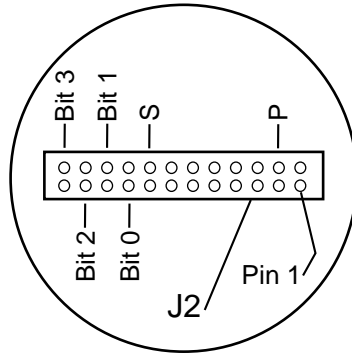
Signal	Description	Jumper
S	Autostart Enable	○
P	Parity Disable	○
W	Write Protect Enable	○
X	Synch Data Transfer Disable	○

**Key** ○ Jumper NOT Installed  
 ■ Jumper Installed

# SCSI Hard Drive Configuration Charts

Drive Size: **4.3 GB**

Model: **DDRS-34560**



**IMPORTANT:**

This drive is intended for non-pluggable applications only. Migration to a Pluggable Drive Tray is not supported.

**NOTES:**

1. All jumper and switch settings are shown in the factory default setting, including those not labeled.
2. Termination default is disabled/removed.

**SCSI ID Settings**

SCSI ID	Bit 2	Bit 1	Bit 0
0	○	○	○
1	○	○	●
2	○	●	○
3	○	●	●
4	●	○	○
5	●	○	●
6	●	●	○

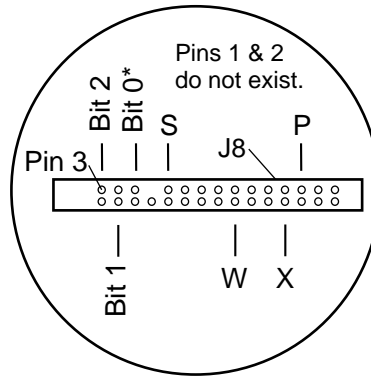
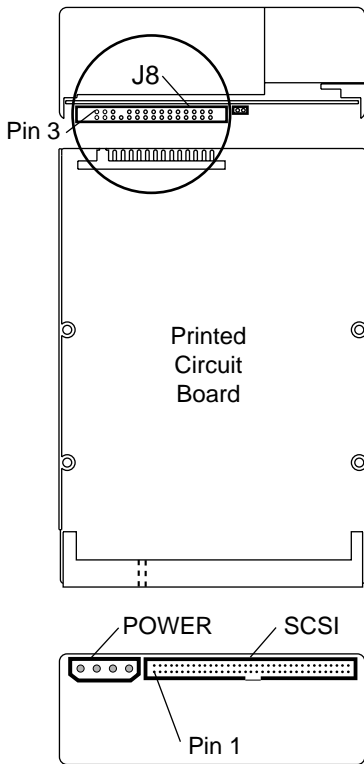
**Default Settings**

Signal	Description	Jumper
S	Start Unit Command Enabled	○
P	Parity Enabled	○
W	Write Protect Disabled-	n/a
X	Synch Data Transfer Enabled	n/a

**Key** ○ Jumper NOT Installed  
 ● Jumper Installed

# SCSI Hard Drive Configuration Charts

**Drive Size: 4.3 GB**      **Model: DFHSS4F**



\*For Pluggable Drive Tray, connect Odd Color Wire on 6-Pin SCSI ID Connector to Bit 0 Pair.

## SCSI ID Settings

SCSI ID	Bit 2	Bit 1	Bit 0
0	○	○	○
1	○	○	●
2	○	●	○
3	○	●	●
4	●	○	○
5	●	○	●
6	●	●	○

**Key** ○ Jumper NOT Installed  
 ● Jumper Installed

### NOTES:

1. All jumper and switch settings are shown in the factory default setting, including those not labeled.
2. Termination default is disabled/removed.

## Default Settings

Signal	Description	Jumper
S	Start Unit Command Enabled	○
P	Parity Enabled	○
W	Write Protect Disabled	○
X	Synch Data Transfer Enabled	○

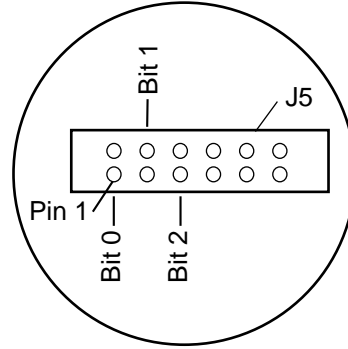
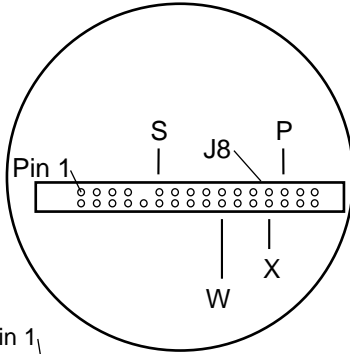
**Key** ○ Jumper NOT Installed  
 ● Jumper Installed



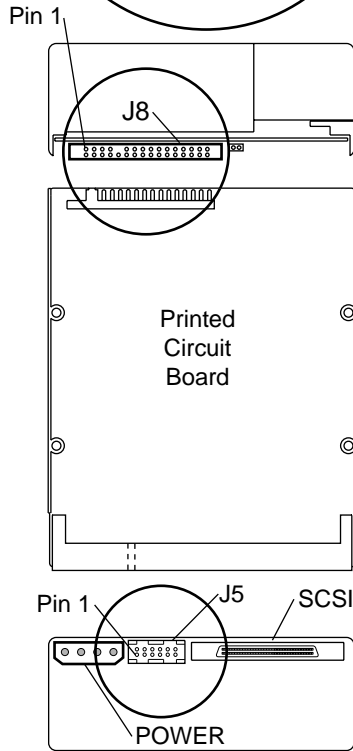
# SCSI Hard Drive Configuration Charts

Drive Size: **4.3 GB**

Model: **DFHSS4W**



For Pluggable Drive Tray, connect SCSI ID Cable to this Connector.



## SCSI ID Settings

SCSI ID	Bit 2	Bit 1	Bit 0
0	○	○	○
1	○	○	●
2	○	●	○
3	○	●	●
4	●	○	○
5	●	○	●
6	●	●	○

**Key** ○ Jumper NOT Installed  
 ● Jumper Installed

## Default Settings

Signal	Description	Jumper
S	Start Unit Command Enabled	○
P	Parity Enabled	○
W	Write Protect Disabled	○
X	Synch Data Transfer Enabled	○

**Key** ○ Jumper NOT Installed  
 ● Jumper Installed

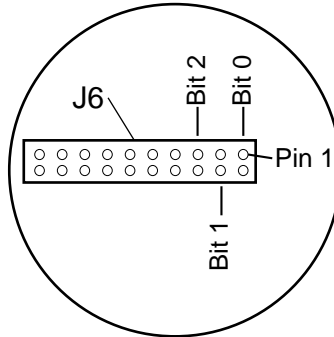
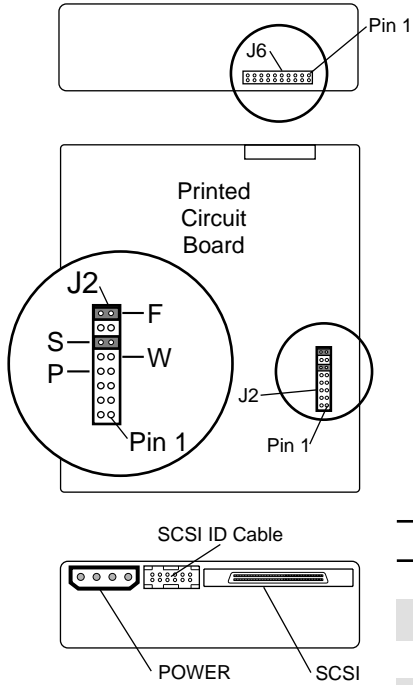
### NOTES:

1. All jumper and switch settings are shown in the factory default setting, including those not labeled.
2. Termination default is disabled/removed.

# SCSI Hard Drive Configuration Charts

Drive Size: **4.3 GB**

Model: **HD00441730**



## SCSI ID Settings

SCSI ID	Bit 2	Bit 1	Bit 0
0	○ ○	○ ○	○ ○
1	○ ○	○ ○	■ ■
2	○ ○	■ ■	○ ○
3	○ ○	■ ■	■ ■
4	■ ■	○ ○	○ ○
5	■ ■	○ ○	■ ■
6	■ ■	■ ■	○ ○

**Key** ○ ○ Jumper NOT Installed  
 ■ ■ Jumper Installed

## NOTES:

1. All jumper and switch settings are shown in the factory default setting, including those not labeled.
2. Termination default is disabled/removed.

## Default Settings

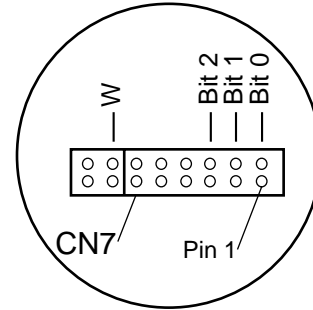
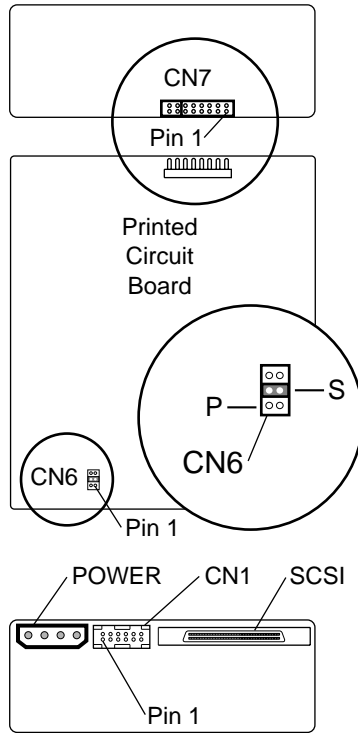
Signal	Description	Jumper
S	Start Unit Command Enabled	■ ■
P	Parity Enabled	○ ○
W	Write Protect Disabled	○ ○
F	Force Single-Ended Mode	■ ■

**Key** ○ ○ Jumper NOT Installed  
 ■ ■ Jumper Installed

# SCSI Hard Drive Configuration Charts

Drive Size: **4.3 GB**

Model: **MAB3045SP**



**IMPORTANT:**

This drive is intended for non-pluggable applications only. Migration to a Pluggable Drive Tray is not supported.

**SCSI ID Settings**

SCSI ID	Bit 2	Bit 1	Bit 0
0	○ ○	○ ○	○ ○
1	○ ○	○ ○	● ●
2	○ ○	● ●	○ ○
3	○ ○	● ●	● ●
4	● ●	○ ○	○ ○
5	● ●	○ ○	● ●
6	● ●	● ●	○ ○

**NOTES:**

1. All jumper and switch settings are shown in the factory default setting, including those not labeled.
2. Termination default is disabled/removed.

**Default Settings**

Signal	Description	Jumper
S	Start Unit Command Enabled	● ●
P	Parity Enabled	○ ○
W	Write Protect Disabled	○ ○
	Synch Data Transfer Enabled	n/a

**CN6 Default Settings**

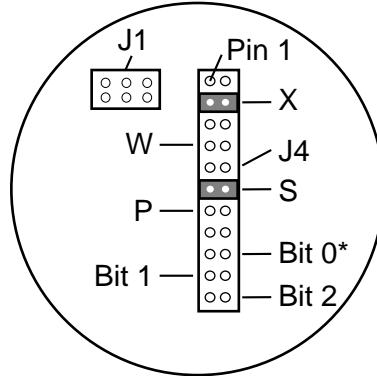
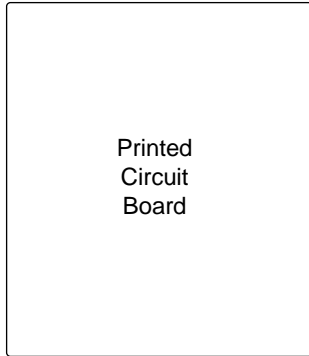
Pins	Description	Jumper
1-2	SCSI Termination Resistor	○ ○
3-4	Start Unit Command Enabled	● ●
5-6	Setting Terminator Power Supplied	○ ○

**Key** ○ Jumper NOT Installed  
 ● Jumper Installed

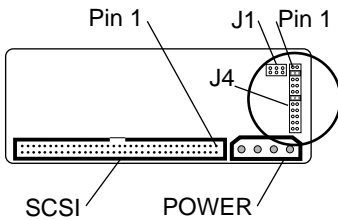
# SCSI Hard Drive Configuration Charts

Drive Size: **4.3 GB**

Model: **ST15150N**



\*For Pluggable Drive Tray, connect Odd Color Wire on 6-Pin SCSI ID Connector to Bit 0 Pair.



## SCSI ID Settings

SCSI ID	Bit 2	Bit 1	Bit 0
0	○ ○	○ ○	○ ○
1	○ ○	○ ○	● ●
2	○ ○	● ●	○ ○
3	○ ○	● ●	● ●
4	● ●	○ ○	○ ○
5	● ●	○ ○	● ●
6	● ●	● ●	○ ○

**Key** ○ ○ Jumper NOT Installed  
 ● ● Jumper Installed

### NOTES:

1. All jumper and switch settings are shown in the factory default setting, including those not labeled.
2. Termination default is disabled/removed.

## Default Settings

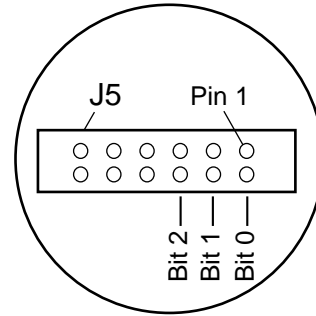
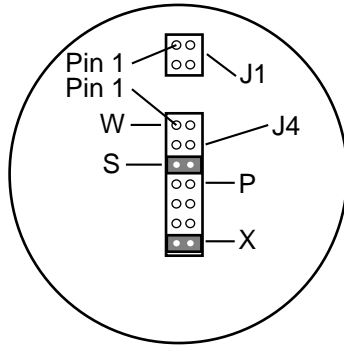
Signal	Description	Jumper
S	Start Unit Command Enabled	● ●
P	Parity Enabled	○ ○
W	Write Protect Disabled	○ ○
X	Synch Data Transfer Enabled	● ●

**Key** ○ ○ Jumper NOT Installed  
 ● ● Jumper Installed

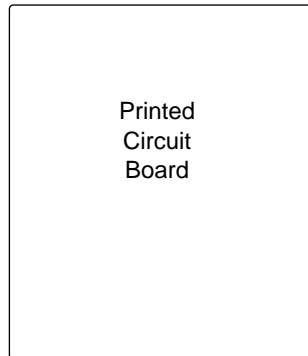
# SCSI Hard Drive Configuration Charts

Drive Size: **4.3 GB**

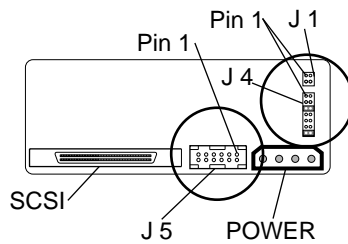
Model: **ST15150W**



For Pluggable Drive Tray, connect SCSI ID Cable to this Connector.



Printed  
Circuit  
Board



## SCSI ID Settings

SCSI ID	Bit 2	Bit 1	Bit 0
0	○ ○	○ ○	○ ○
1	○ ○	○ ○	● ●
2	○ ○	● ●	○ ○
3	○ ○	● ●	● ●
4	● ●	○ ○	○ ○
5	● ●	○ ○	● ●
6	● ●	● ●	○ ○

**Key** ○ ○ Jumper NOT Installed  
● ● Jumper Installed

## Default Settings

Signal	Description	Jumper
S	Start Unit Command Enabled	● ●
P	Parity Enabled	○ ○
W	Write Protect Disabled	○ ○
X	Synch Data Transfer Enabled	● ●

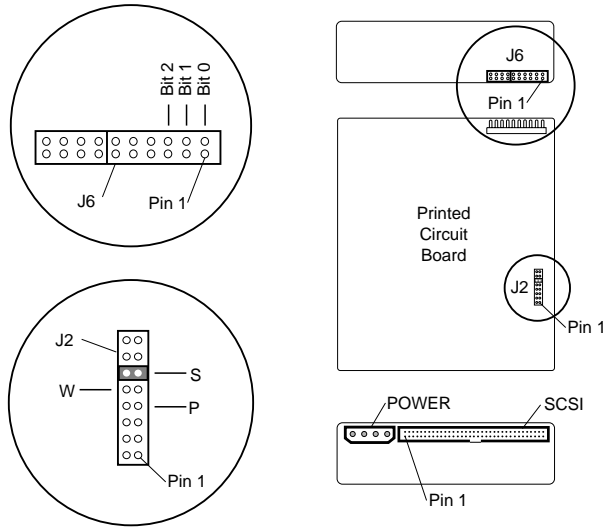
**Key** ○ ○ Jumper NOT Installed  
● ● Jumper Installed

### NOTES:

1. All jumper and switch settings are shown in the factory default setting, including those not labeled.
2. Termination default is disabled/removed.

# SCSI Hard Drive Configuration Charts

**Drive Size: 4.3 GB Model: ST34371N**



For Hot-Pluggable Drive Tray, connect SCSI ID Cable to this Connector

## SCSI ID Settings

SCSI ID	Bit 2	Bit 1	Bit 0
0	○	○	○
1	○	○	■
2	○	■	○
3	○	■	■
4	■	○	○
5	■	○	■
6	■	■	○

## Default Settings

Signal	Description	Jumper
S	Start Unit Command Enabled	■ ■
P	Parity Enabled	○ ○
W	Write Protect Disabled	○ ○
	Synch Data Transfer Enabled	n/a

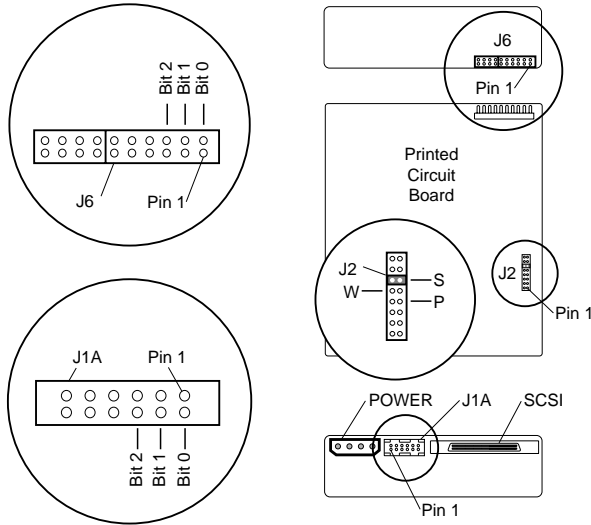
### NOTES:

- All jumper and switch settings are shown in the factory default setting, including those not labeled.
- Termination default is disabled/removed.

**Key** ○ Jumper NOT Installed  
 ■ Jumper Installed

# SCSI Hard Drive Configuration Charts

**Drive Size: 4.3 GB Model: ST34371W**



For Hot-Pluggable Drive Tray, connect SCSI ID Cable to this Connector

- NOTES:**
1. All jumper and switch settings are shown in the factory default setting, including those not labeled.
  2. Termination default is disabled/removed.

**Key** ○ Jumper NOT Installed  
 ● Jumper Installed

### SCSI ID Settings

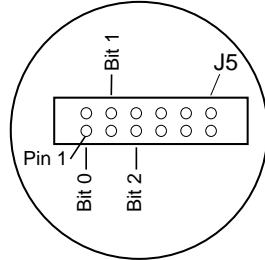
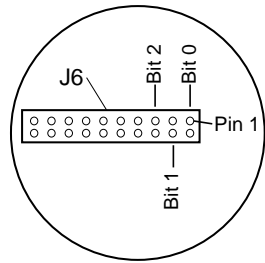
SCSI ID	Bit 2	Bit 1	Bit 0
0	○	○	○
1	○	○	●
2	○	●	○
3	○	●	●
4	●	○	○
5	●	○	●
6	●	●	○

### Default Settings

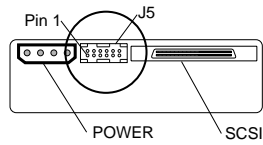
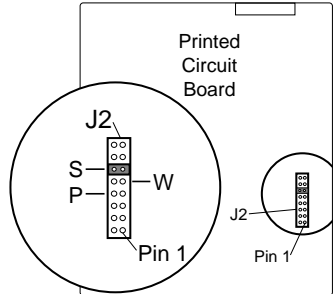
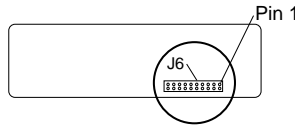
Signal	Description	Jumper
S	Start Unit Command Enabled	●●
P	Parity Enabled	○○
W	Write Protect Disabled	○○
	Synch Data Transfer Enabled	n/a

# SCSI Hard Drive Configuration Charts

**Drive Size: 4.3 GB Model: ST34501W**



For Hot-Pluggable Drive Tray, connect SCSI ID Cable to this Connector.



## SCSI ID Settings

SCSI ID	Bit 2	Bit 1	Bit 0
0	○ ○	○ ○	○ ○
1	○ ○	○ ○	■ ○
2	○ ○	■ ○	○ ○
3	○ ○	■ ■	■ ○
4	■ ○	○ ○	○ ○
5	■ ■	○ ○	■ ○
6	■ ■	■ ○	○ ○

### NOTES:

1. All jumper and switch settings are shown in the factory default setting, including those not labeled.
2. Termination default is disabled/removed.

## Default Settings

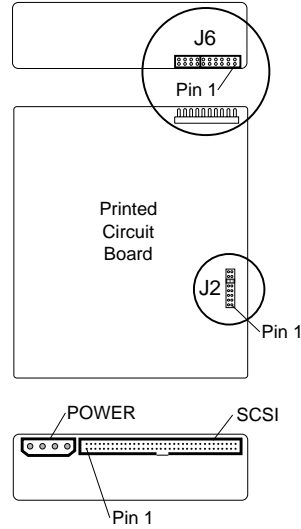
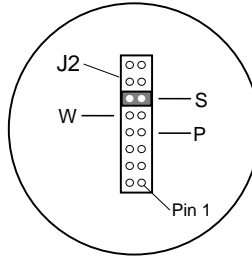
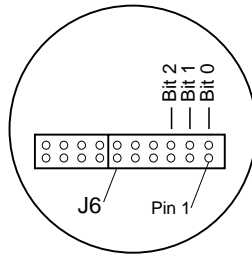
Signal	Description	Jumper
S	Start Unit Command Enabled	■ ■
P	Parity Enabled	○ ○
W	Write Protect Disabled	○ ○

**Key** ○ Jumper NOT Installed  
 ■ Jumper Installed



# SCSI Hard Drive Configuration Charts

**Drive Size: 4.3 GB Model: ST34572N**



For Hot-Pluggable Drive Tray, connect SCSI ID Cable to this Connector

## SCSI ID Settings

SCSI ID	Bit 2	Bit 1	Bit 0
0	○	○	○
1	○	○	■
2	○	■	○
3	○	■	■
4	■	○	○
5	■	○	■
6	■	■	○

- NOTES:**
- All jumper and switch settings are shown in the factory default setting, including those not labeled.
  - Termination default is disabled/removed.

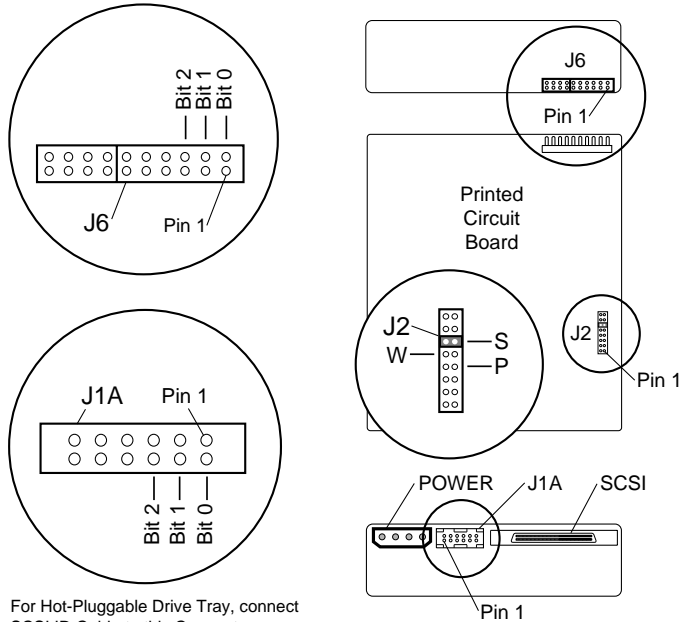
## Default Settings

Signal	Description	Jumper
S	Start Unit Command Enabled	■
P	Parity Enabled	○
W	Write Protect Disabled	○
	Synch Data Transfer Enabled	n/a

**Key** ○ Jumper NOT Installed  
 ■ Jumper Installed

# SCSI Hard Drive Configuration Charts

**Drive Size: 4.3 GB**    **Model: ST34572W**



For Hot-Pluggable Drive Tray, connect SCSI ID Cable to this Connector

## SCSI ID Settings

SCSI ID	Bit 2	Bit 1	Bit 0
0	○	○	○
1	○	○	■
2	○	■	○
3	○	■	■
4	■	○	○
5	■	○	■
6	■	■	○

### NOTES:

1. All jumper and switch settings are shown in the factory default setting, including those not labeled.
2. Termination default is disabled/removed.

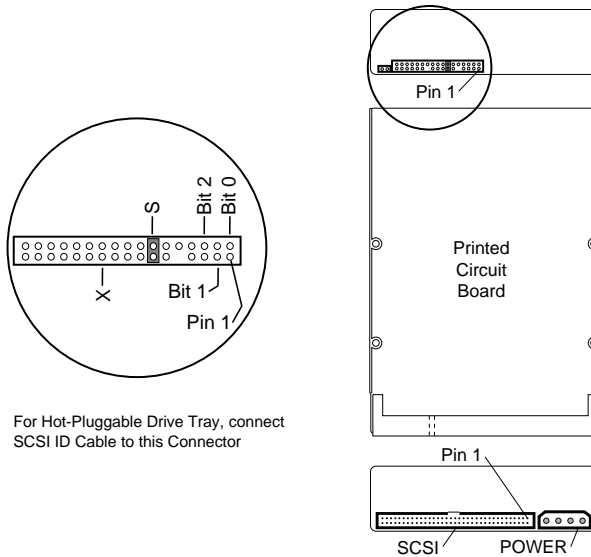
## Default Settings

Signal	Description	Jumper
S	Start Unit Command Enabled	■ ■
P	Parity Enabled	○ ○
W	Write Protect Disabled	○ ○
	Synch Data Transfer Enabled	n/a

**Key** ○ Jumper NOT Installed  
 ■ Jumper Installed

# SCSI Hard Drive Configuration Charts

**Drive Size: 4.3 GB Model: WDE4360**



- NOTES:**
1. All jumper and switch settings are shown in the factory default setting, including those not labeled.
  2. Termination default is disabled/removed.

**Key** ○ Jumper NOT Installed  
 ● Jumper Installed  
 \*\* Not Configurable

## SCSI ID Settings

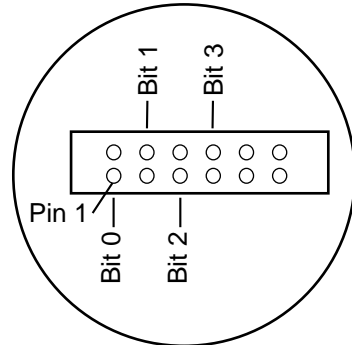
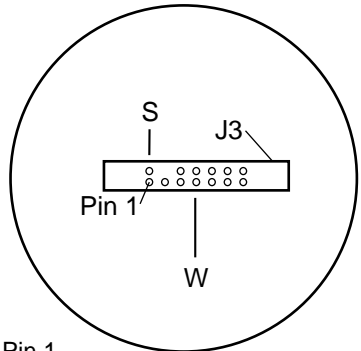
SCSI ID	Bit 2	Bit 1	Bit 0
0	○	○	○
1	○	○	●
2	○	●	○
3	○	●	●
4	●	○	○
5	●	○	●
6	●	●	○

## Default Settings

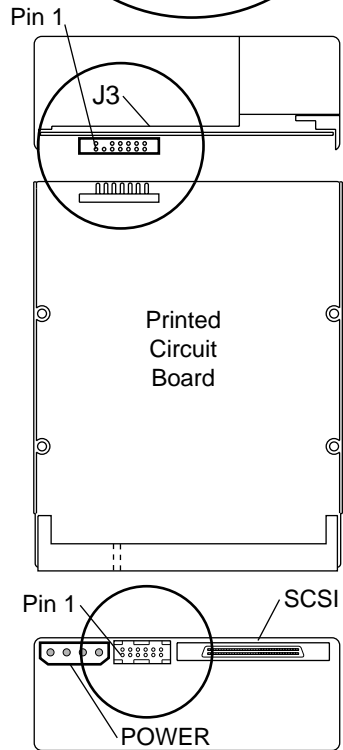
Signal	Description	Jumper
S	Start Unit Command Enabled	●
	Parity Enabled**	n/a
W	Write Protect Disabled	n/a
X	Synch Data Transfer Enabled	○

# SCSI Hard Drive Configuration Charts

**Drive Size:** 4.3 GB      **Model:** XP34300W



For Pluggable Drive Tray, connect SCSI ID Cable to this Connector.



## SCSI ID Settings

SCSI ID	Bit 2	Bit 1	Bit 0
0	○ ○	○ ○	○ ○
1	○ ○	○ ○	■ ○
2	○ ○	■ ○	○ ○
3	○ ○	■ ○	■ ○
4	■ ○	○ ○	○ ○
5	■ ○	○ ○	■ ○
6	■ ○	■ ○	○ ○

**Key** ○ Jumper NOT Installed  
 ■ Jumper Installed

## Default Settings

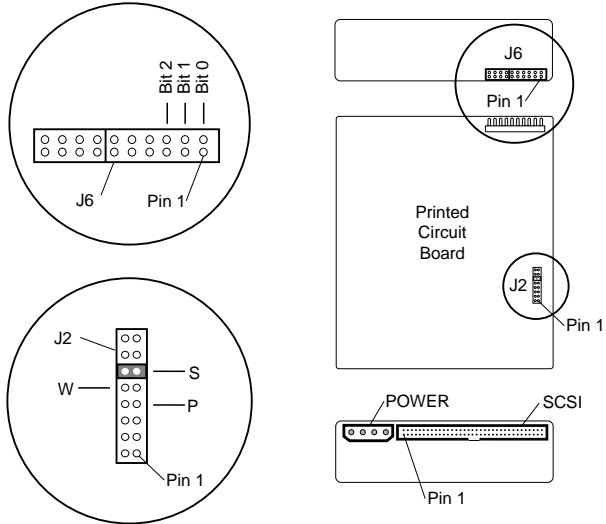
Signal	Description	Jumper
S	Start Unit Command Enabled	○
	Parity Enabled**	n/a
W	Write Protect Disabled	○
	Synch Data Transfer Enabled**	n/a

**Key** ○ Jumper NOT Installed      \*\* Not Configurable  
 ■ Jumper Installed

- NOTES:**
1. All jumper and switch settings are shown in the factory default setting, including those not labeled.
  2. Termination default is disabled/removed.

# SCSI Hard Drive Configuration Charts

**Drive Size: 4.2 GB Model: CUDA**



For Hot-Pluggable Drive Tray, connect SCSI ID Cable to this Connector

### SCSI ID Settings

SCSI ID	Bit 2	Bit 1	Bit 0
0	○	○	○
1	○	○	■
2	○	■	○
3	○	■	■
4	■	○	○
5	■	○	■
6	■	■	○

### NOTES:

1. All jumper and switch settings are shown in the factory default setting, including those not labeled.
2. Termination default is disabled/removed.

### Default Settings

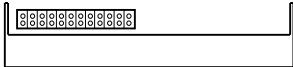
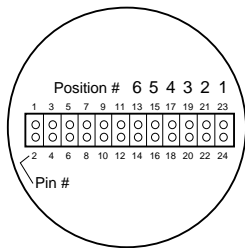
Signal	Description	Jumper
S	Start Unit Command Enabled	■
P	Parity Enabled	○
W	Write Protect Disabled	○
	Synch Data Transfer Enabled	n/a

**Key** ○ Jumper NOT Installed  
 ■ Jumper Installed

# SCSI Hard Drive Configuration Charts

**Drive Size: 2150 MB**    **Model: ORION**

IBM Drive  
Assembly Number 247266



**SCSI ID Settings**

SCSI ID	Position #					
	6	5	4	3	2	1
0	○	○	○	○	○	○
1	○	○	■	○	○	○
2	○	○	○	■	○	○
3	○	○	■	■	○	○
4	○	○	○	○	■	○
5	○	○	■	○	■	○
6	○	○	○	■	■	○
7	○	○	■	■	■	○

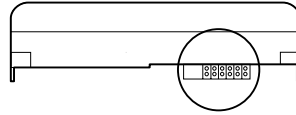
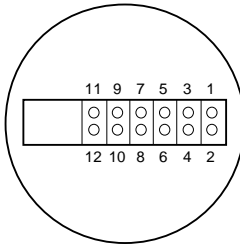
**Key** ○ Jumper NOT Installed  
 ■ Jumper Installed

# SCSI Hard Drive Configuration Charts

Drive Size: **2.15 GB**

Model: **ST32155N**

Seagate Drive  
Assembly Number 243019



## SCSI ID Settings

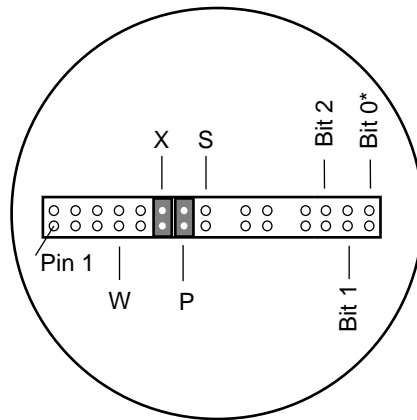
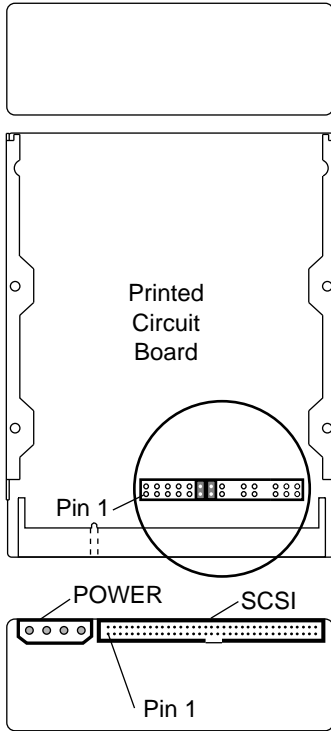
SCSI ID	1-2	3-4	5-6	7-8	9-10	11-12
0	○	○	○	○	○	○
1	⊗	○	○	○	○	○
2	○	⊗	○	○	○	○
3	⊗	⊗	○	○	○	○
4	○	○	⊗	○	○	○
5	⊗	○	⊗	○	○	○
6	○	⊗	⊗	○	○	○
7	⊗	⊗	⊗	○	○	○

**Key** ○ Jumper NOT Installed  
 ⊗ Jumper Installed

# SCSI Hard Drive Configuration Charts

Drive Size: **2.1 GB**

Model: **C2490A**



\*For Pluggable Drive Tray, connect Odd Wire on 6-Pin SCSI ID Connector to Bit 0 Pair.

## SCSI ID Settings

SCSI ID	Bit 2	Bit 1	Bit 0
0	○	○	○
1	○	○	●
2	○	●	○
3	○	●	●
4	●	○	○
5	●	○	●
6	●	●	○

**Key** ○ Jumper NOT Installed  
 ● Jumper Installed

### NOTES:

1. All jumper and switch settings are shown in the factory default setting, including those not labeled.
2. Termination default is disabled/removed.

## Default Settings

Signal	Description	Jumper
S	Start Unit Command Enabled	○
P	Parity Enabled	●
W	Write Protect Disabled	○
X	Synch Data Transfer Enabled	●

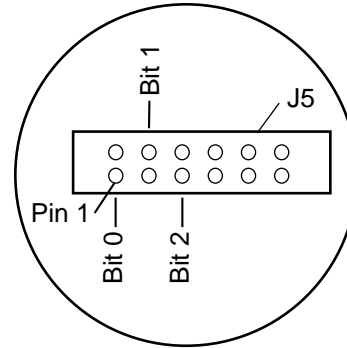
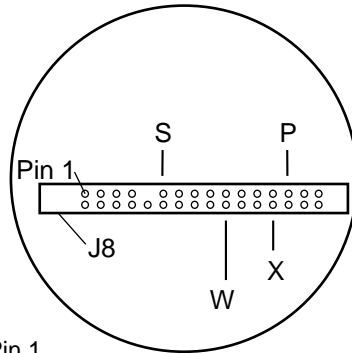
**Key** ○ Jumper NOT Installed  
 ● Jumper Installed



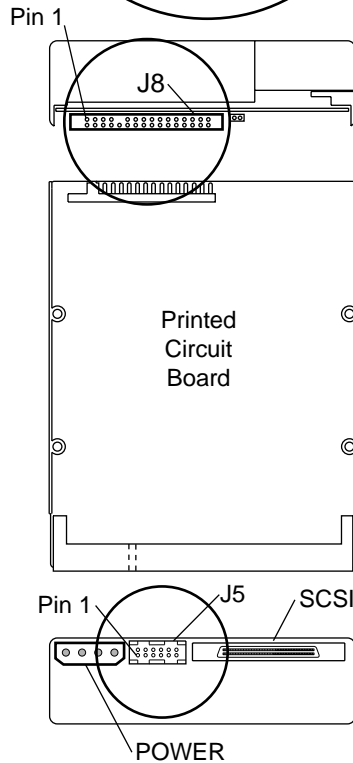
# SCSI Hard Drive Configuration Charts

Drive Size: **2.1 GB**

Model: **DFHSS2W**



For Pluggable Drive Tray, connect SCSI ID Cable to this Connector.



## SCSI ID Settings

SCSI ID	Bit 2	Bit 1	Bit 0
0	○	○	○
1	○	○	●
2	○	●	○
3	○	●	●
4	●	○	○
5	●	○	●
6	●	●	○

**Key** ○ Jumper NOT Installed  
 ● Jumper Installed

## Default Settings

Signal	Description	Jumper
S	Start Unit Command Enabled	○
P	Parity Enabled	○
W	Write Protect Disabled	○
X	Synch Data Transfer Enabled	○

**Key** ○ Jumper NOT Installed  
 ● Jumper Installed

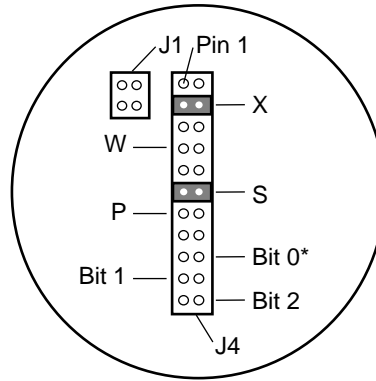
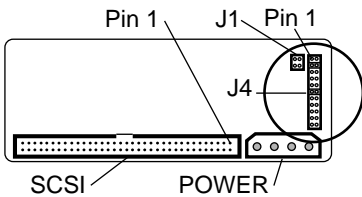
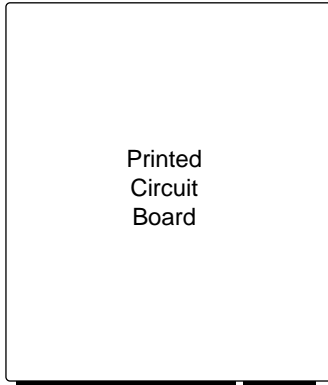
### NOTES:

1. All jumper and switch settings are shown in the factory default setting, including those not labeled.
2. Termination default is disabled/removed.

# SCSI Hard Drive Configuration Charts

Drive Size: **2.1 GB**

Model: **ST12550N**



\*For Pluggable Drive Tray, connect Odd Color Wire on 6-Pin SCSI ID Connector to Bit 0 Pair.

## SCSI ID Settings

SCSI ID	Bit 2	Bit 1	Bit 0
0	○ ○	○ ○	○ ○
1	○ ○	○ ○	■ ■
2	○ ○	■ ■	○ ○
3	○ ○	■ ■	■ ■
4	■ ■	○ ○	○ ○
5	■ ■	○ ○	■ ■
6	■ ■	■ ■	○ ○

**Key** ○ ○ Jumper NOT Installed  
 ■ ■ Jumper Installed

### NOTES:

1. All jumper and switch settings are shown in the factory default setting, including those not labeled.
2. Termination default is disabled/removed.

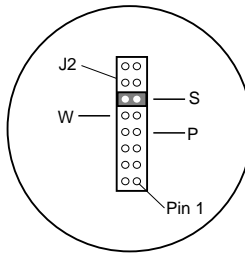
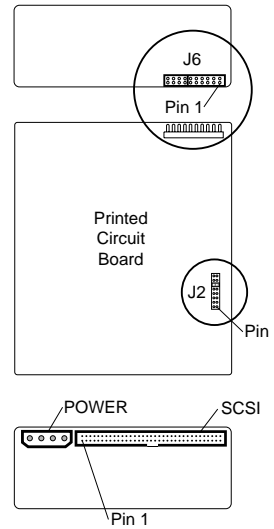
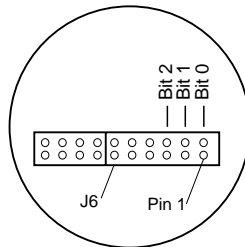
## Default Settings

Signal	Description	Jumper
S	Start Unit Command Enabled	■ ■
P	Parity Enabled	○ ○
W	Write Protect Disabled	○ ○
X	Synch Data Transfer Enabled	■ ■

**Key** ○ ○ Jumper NOT Installed  
 ■ ■ Jumper Installed

# SCSI Hard Drive Configuration Charts

**Drive Size: 2.1 GB Model: ST32171N**



For Hot-Pluggable Drive Tray, connect SCSI ID Cable to this Connector

### SCSI ID Settings

SCSI ID	Bit 2	Bit 1	Bit 0
0	○	○	○
1	○	○	■
2	○	■	○
3	○	■	■
4	■	○	○
5	■	○	■
6	■	■	○

### NOTES:

1. All jumper and switch settings are shown in the factory default setting, including those not labeled.
2. Termination default is disabled/removed.

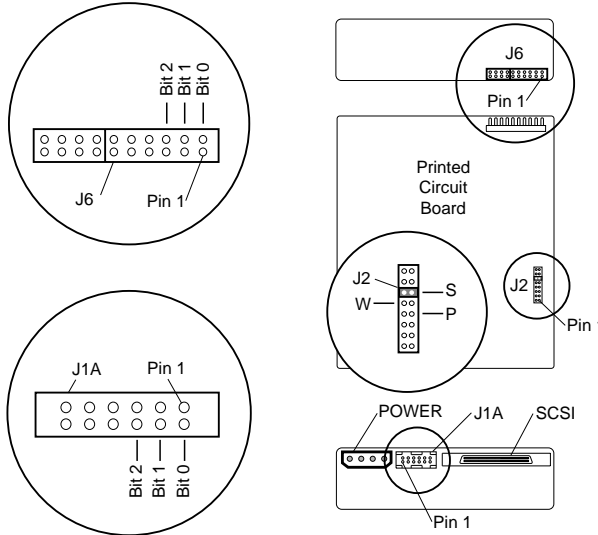
### Default Settings

Signal	Description	Jumper
S	Start Unit Command Enabled	■
P	Parity Enabled	○
W	Write Protect Disabled	○
	Synch Data Transfer Enabled	n/a

**Key** ○ Jumper NOT Installed  
 ■ Jumper Installed

# SCSI Hard Drive Configuration Charts

**Drive Size: 2.1 GB Model: ST32171W**



For Hot-Pluggable Drive Tray, connect SCSI ID Cable to this Connector

## SCSI ID Settings

SCSI ID	Bit 2	Bit 1	Bit 0
0	○	○	○
1	○	○	■
2	○	■	○
3	○	■	■
4	■	○	○
5	■	○	■
6	■	■	○

## Default Settings

Signal	Description	Jumper
S	Start Unit Command Enabled	■
P	Parity Enabled	○ ○
W	Write Protect Disabled	○ ○
	Synch Data Transfer Enabled	n/a

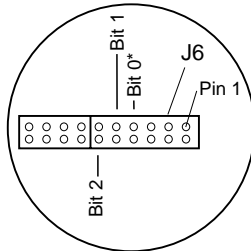
### NOTES:

- All jumper and switch settings are shown in the factory default setting, including those not labeled.
- Termination default is disabled/removed.

**Key** ○ Jumper NOT Installed  
 ■ Jumper Installed

# SCSI Hard Drive Configuration Charts

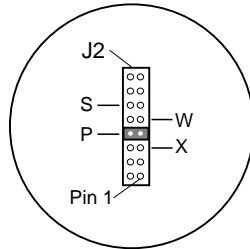
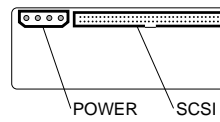
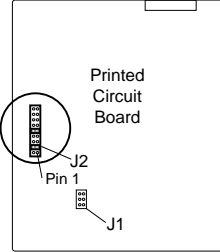
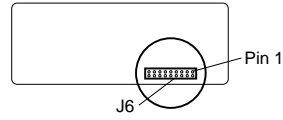
Drive Size: **2.1 GB** Model: **ST32430N**



\*For Hot-Pluggable Drive Tray, connect Odd Color Wire on 6-Pin SCSI ID Connector to Bit 0 Pair.

**NOTES:**

1. All jumper and switch settings are shown in the factory default setting, including those not labeled.
2. Termination default is disabled/removed.



**SCSI ID Settings**

SCSI ID	Bit 2	Bit 1	Bit 0
0	○	○	○
1	○	○	■
2	○	■	○
3	○	■	■
4	■	○	○
5	■	○	■
6	■	■	○

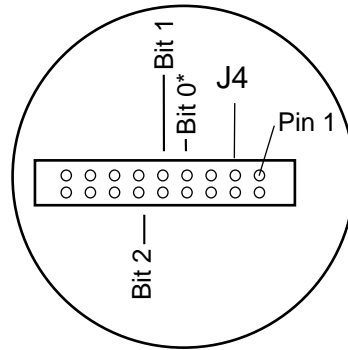
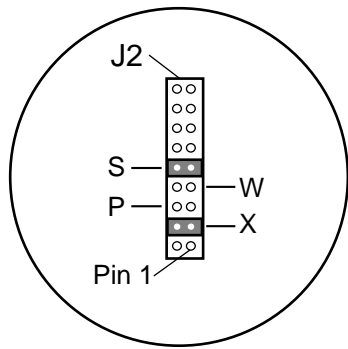
**Default Settings**

Signal	Description	Jumper
S	Start Unit Command Enabled	○
P	Parity Enabled	■
W	Write Protect Disabled	○
X	Synch Data Transfer Enabled	■

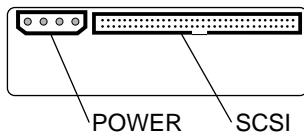
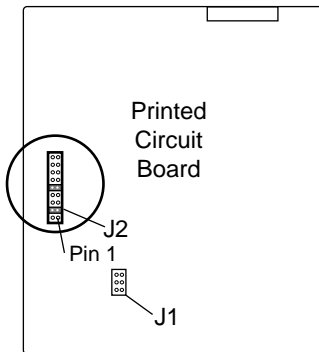
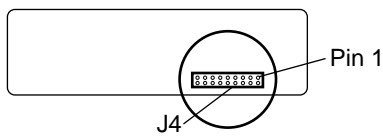
**Key** ○ Jumper NOT Installed  
 ■ Jumper Installed

# SCSI Hard Drive Configuration Charts

**Drive Size:** 2.1 GB      **Model:** ST32550N



\*For Pluggable Drive Tray, connect Odd Color Wire on 6-Pin SCSI ID Connector to Bit 0 Pair.



## SCSI ID Settings

SCSI ID	Bit 2	Bit 1	Bit 0
0	○ ○	○ ○	○ ○
1	○ ○	○ ○	● ●
2	○ ○	● ●	○ ○
3	○ ○	● ●	● ●
4	● ●	○ ○	○ ○
5	● ●	○ ○	● ●
6	● ●	● ●	○ ○

**Key** ○ ○ Jumper NOT Installed  
● ● Jumper Installed

## Default Settings

Signal	Description	Jumper
S	Start Unit Command Enabled	● ●
P	Parity Enabled	○ ○
W	Write Protect Disabled	○ ○
X	Synch Data Transfer Enabled	● ●

**Key** ○ ○ Jumper NOT Installed  
● ● Jumper Installed

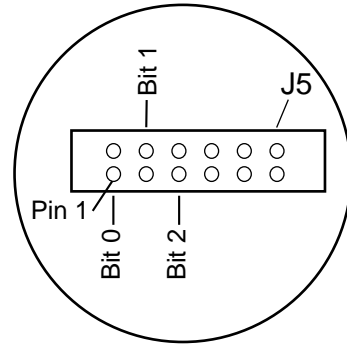
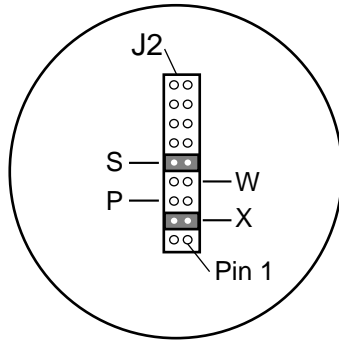
### NOTES:

1. All jumper and switch settings are shown in the factory default setting, including those not labeled.
2. Termination default is disabled/removed.

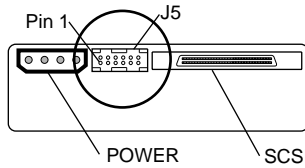
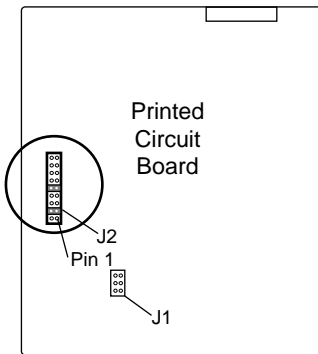
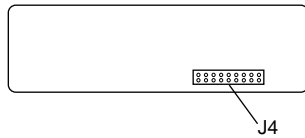
# SCSI Hard Drive Configuration Charts

Drive Size: **2.1 GB**

Model: **ST32550W**



For Pluggable Drive Tray, connect SCSI ID Cable to this Connector.



## SCSI ID Settings

SCSI ID	Bit 2	Bit 1	Bit 0
0	○ ○	○ ○	○ ○
1	○ ○	○ ○	● ●
2	○ ○	● ●	○ ○
3	○ ○	● ●	● ●
4	● ●	○ ○	○ ○
5	● ●	○ ○	● ●
6	● ●	● ●	○ ○

**Key** ○ ○ Jumper NOT Installed  
 ● ● Jumper Installed

## Default Settings

Signal	Description	Jumper
S	Start Unit Command Enabled	● ●
P	Parity Enabled	○ ○
W	Write Protect Disabled	○ ○
X	Synch Data Transfer Enabled	● ●

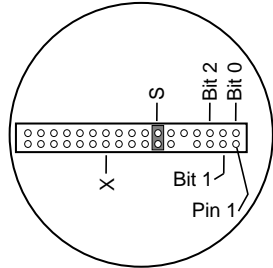
**Key** ○ ○ Jumper NOT Installed  
 ● ● Jumper Installed

### NOTES:

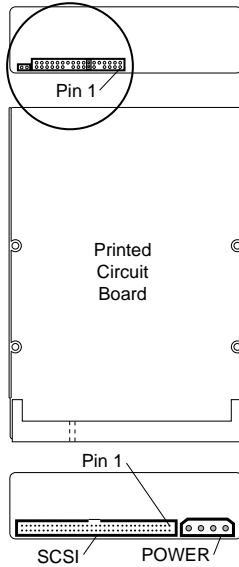
1. All jumper and switch settings are shown in the factory default setting, including those not labeled.
2. Termination default is disabled/removed.

# SCSI Hard Drive Configuration Charts

**Drive Size: 2.1 GB Model: WDE2170**



For Hot-Pluggable Drive Tray, connect SCSI ID Cable to this Connector



## SCSI ID Settings

SCSI ID	Bit 2	Bit 1	Bit 0
0	○	○	○
1	○	○	■
2	○	■	○
3	○	■	■
4	■	○	○
5	■	○	■
6	■	■	○

### NOTES:

1. All jumper and switch settings are shown in the factory default setting, including those not labeled.
2. Termination default is disabled/removed.

## Default Settings

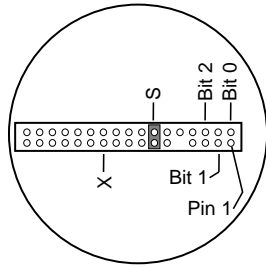
Signal	Description	Jumper
S	Start Unit Command Enabled	■
	Parity Enabled**	n/a
W	Write Protect Disabled	n/a
X	Synch Data Transfer Enabled	○

**Key** ○ Jumper NOT Installed  
 ■ Jumper Installed  
 \*\* Not Configurable

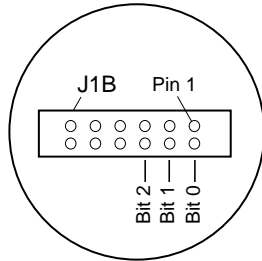


# SCSI Hard Drive Configuration Charts

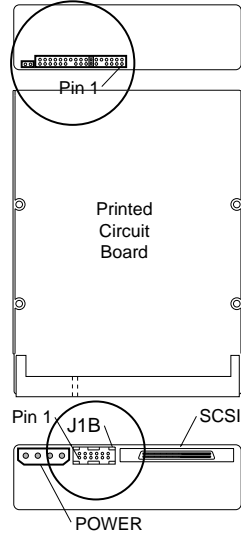
**Drive Size: 2.1 GB    Model: WDE2170W**



For Hot-Pluggable Drive Tray, connect SCSI ID Cable to this Connector



For Hot-Pluggable Drive Tray, connect SCSI ID Cable to this Connector



## SCSI ID Settings

SCSI ID	Bit 2	Bit 1	Bit 0
0	○	○	○
1	○	○	■
2	○	■	○
3	○	■	■
4	■	○	○
5	■	○	■
6	■	■	○

## NOTES:

1. All jumper and switch settings are shown in the factory default setting, including those not labeled.
2. Termination default is disabled/removed.

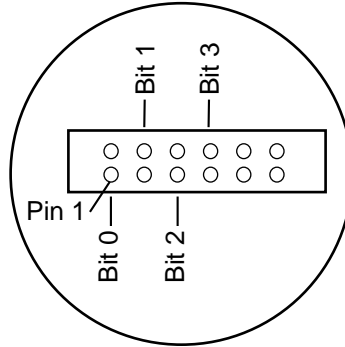
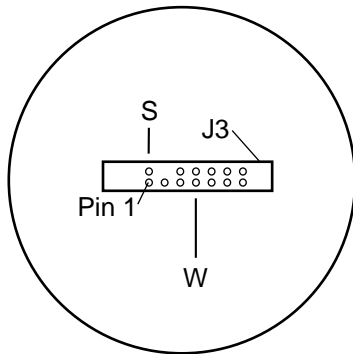
## Default Settings

Signal	Description	Jumper
S	Start Unit Command Enabled	■
	Parity Enabled**	n/a
W	Write Protect Disabled	n/a
X	Synch Data Transfer Enabled	○

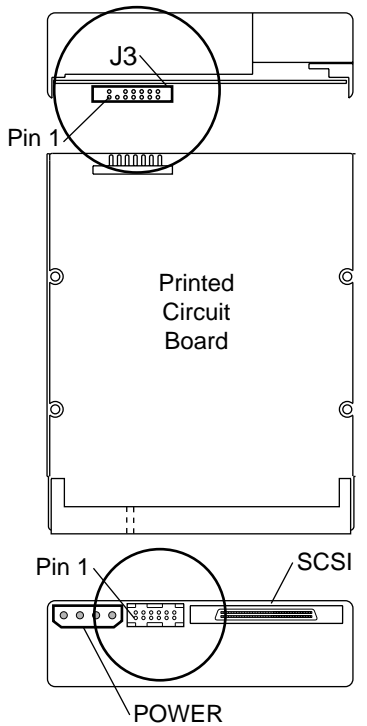
**Key** ○ Jumper NOT Installed  
 ■ Jumper Installed  
 \*\* Not Configurable

# SCSI Hard Drive Configuration Charts

**Drive Size: 2.1 GB Model: XP32150W**



For Pluggable Drive Tray, connect SCSI ID Cable to this Connector.



## SCSI ID Settings

SCSI ID	Bit 2	Bit 1	Bit 0
0	○ ○	○ ○	○ ○
1	○ ○	○ ○	● ●
2	○ ○	● ●	○ ○
3	○ ○	● ●	● ●
4	● ●	○ ○	○ ○
5	● ●	○ ○	● ●
6	● ●	● ●	○ ○

**Key** ○ Jumper NOT Installed  
● Jumper Installed

## Default Settings

Signal	Description	Jumper
S	Start Unit Command Enabled	○ ○
	Parity Enabled**	n/a
W	Write Protect Disabled	○ ○
	Synch Data Transfer Enabled**	n/a

**Key** ○ Jumper NOT Installed    \*\*Not Configurable  
● Jumper Installed

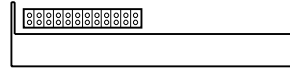
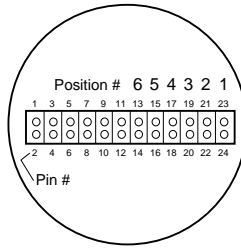
### NOTES:

1. All jumper and switch settings are shown in the factory default setting, including those not labeled.
2. Termination default is disabled/removed.

# SCSI Hard Drive Configuration Charts

**Drive Size: 1080 MB    Model: ORION**

IBM Drive  
Assembly Number 186434



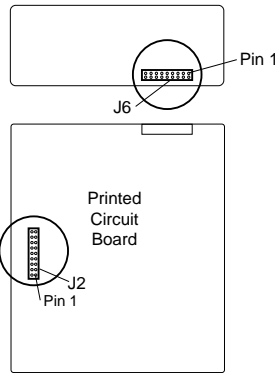
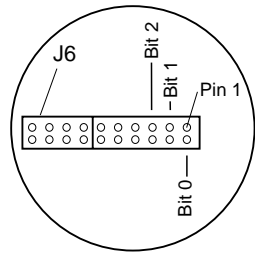
## SCSI ID Settings

SCSI ID	Position #					
	6	5	4	3	2	1
0	○	○	○	○	○	○
1	○	○	■	○	○	○
2	○	○	○	■	○	○
3	○	○	■	■	○	○
4	○	○	○	○	■	○
5	○	○	■	○	■	○
6	○	○	○	■	■	○
7	○	○	■	■	■	○

**Key** ○ Jumper NOT Installed  
 ■ Jumper Installed

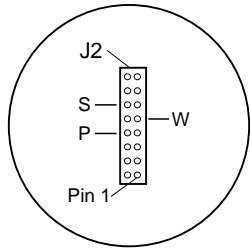
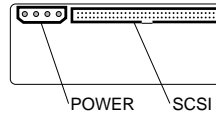
# SCSI Hard Drive Configuration Charts

**Drive Size: 1080 MB    Model: ST31055N**



**NOTES:**

1. All jumper and switch settings are shown in the factory default setting, including those not labeled.
2. Termination default is disabled/removed.



**SCSI ID Settings**

SCSI ID	Bit 2	Bit 1	Bit 0
0	○	○	○
1	○	○	■
2	○	■	○
3	○	■	■
4	■	○	○
5	■	○	■
6	■	■	○

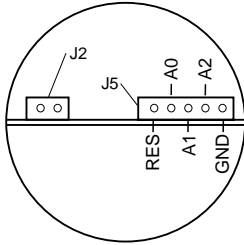
**J2 Default Settings**

Signal	Description	Jumper
S	Start Unit Command Enabled	○
P	Parity Enabled	○
W	Write Protect Disabled	○

**Key** ○ Jumper NOT Installed  
 ■ Jumper Installed

# SCSI Hard Drive Configuration Charts

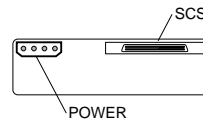
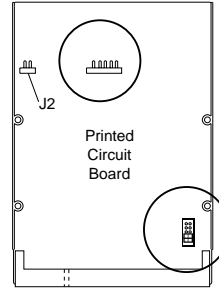
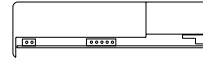
**Drive Size: 1.05 GB    Model: 640/1280S**



\*For Hot-Pluggable Drive Tray, connect Odd Color Wire on 6-Pin SCSI ID Connector to Bit 0 Pair.

**NOTES:**

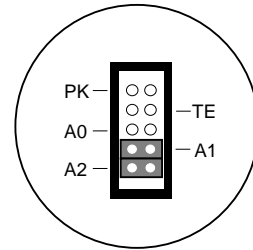
1. All jumper and switch settings are shown in the factory default setting, including those not labeled.
2. Termination default is disabled/removed.



**SCSI ID Settings**

SCSI ID	A2	A1	A0
0	○	○	○
1	○	○	■
2	○	■	○
3	○	■	■
4	■	○	○
5	■	○	■
6	■	■	○
7	■	■	■

**Key** ○ Jumper NOT Installed  
 ■ Jumper Installed



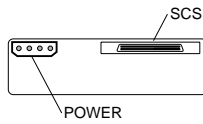
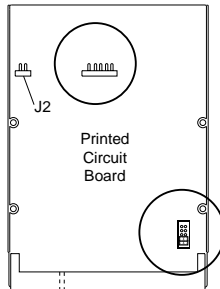
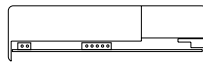
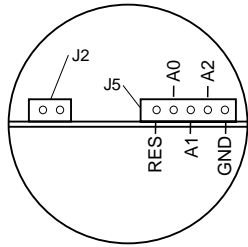
**Default Settings**

SCSI ID	A2	A1	A0
6	■	■	○

**Key** ○ Jumper NOT Installed  
 ■ Jumper Installed

# SCSI Hard Drive Configuration Charts

**Drive Size: 1.05 GB Model: Fireball 1080**



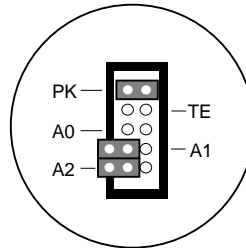
**NOTES:**

1. All jumper and switch settings are shown in the factory default setting, including those not labeled.
2. Termination default is disabled/removed.

**SCSI ID Settings**

SCSI ID	A2	A1	A0
0	○	○	○
1	○	○	■
2	○	■	○
3	○	■	■
4	■	○	○
5	■	○	■
6	■	■	○
7	■	■	■

**Key** ○ Jumper NOT Installed  
 ■ Jumper Installed



**Default Settings**

SCSI ID	A2	A1	A0
6	○	○	○

**Key** ○ Jumper NOT Installed  
 ■ Jumper Installed