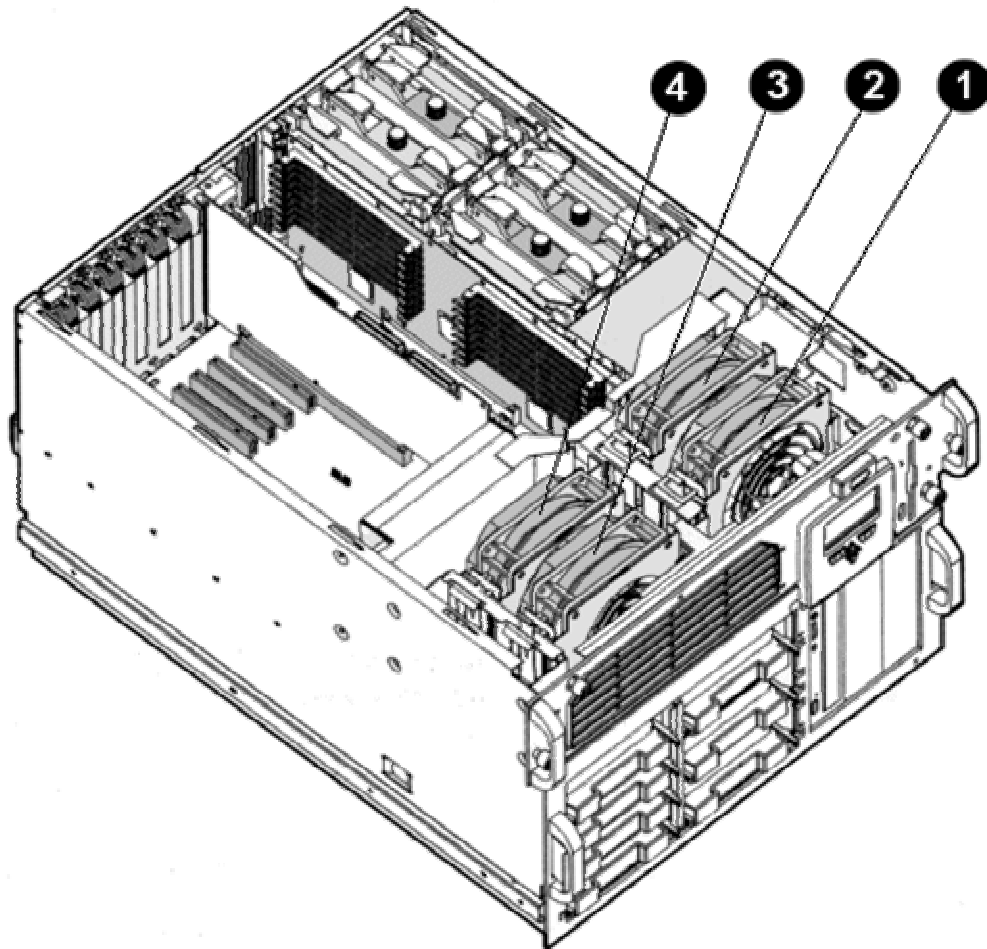


Pentium Xeon Models

Fan Locations



Item ³	Description
1	Front Redundant Processor Fan (Optional)
2	Front Primary Processor Fan
3	Front Redundant I/O Fan (Optional)
4	Front Primary I/O Fan

Note 3: Item order matches fan power cable numbering. See fan cabling section below.

[Top of Page](#)

Fan Specifications

- Standard:
 - One 130 CFM, 120-mm, 12 volt, Processor fan
 - One 130 CFM, 120-mm, 12 volt, I/O fan
- Optional:
 - One 130 CFM, 120-mm, 12 volt, redundant Processor fan
 - One 130 CFM, 120-mm, 12 volt, redundant I/O fan

Fan Type	Fan Size	Option Part #	Spare Part #
Can be used in both Primary or Redundant fan locations	120mm x 25mm	386121-B21 ⁴	388058-001
Note 4: Redundant Fan option kit includes two fans. Spare kit only includes one fan.			

[Top of Page](#)

Fan Cabling

NOTE: Fan numbering and cabling

The later ProLiant 5500 Xeon models have a single fan cable that connects to the Peripheral Board. This fan cable splits into four fan power connectors at the top of the system fan bay. Each short section of cable behind the fan connector is numbered with a white label. Make sure the correct fan cable is connected to the corresponding fan at the location indicated by the numbered white circles below.

