

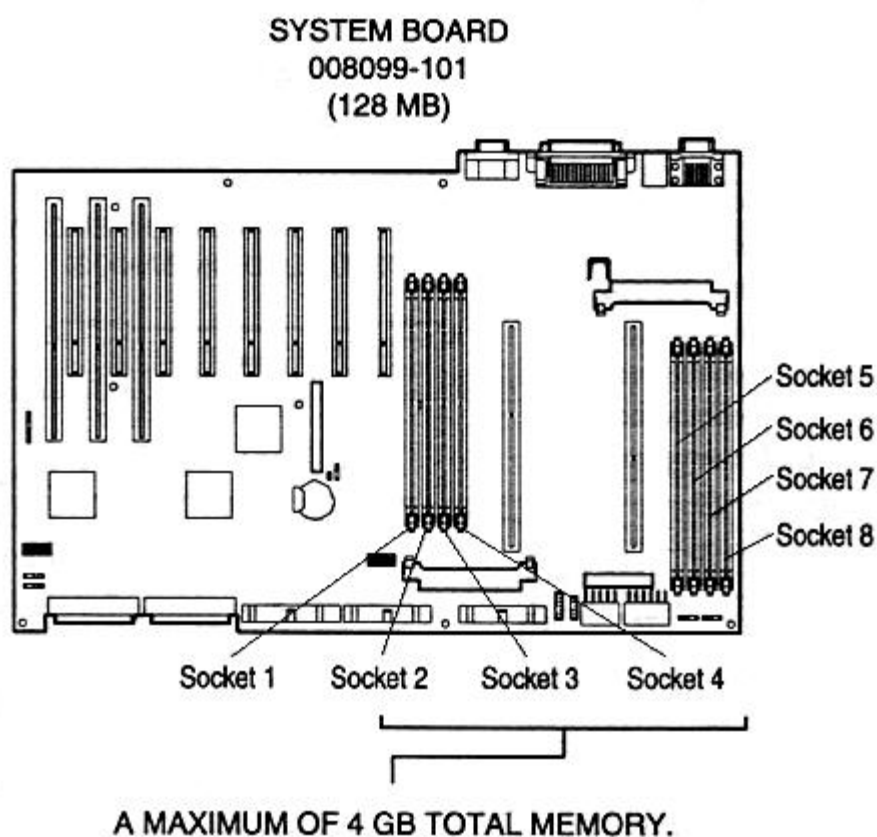
ProLiant 3000 Memory Configuration - 400 to 600 Mhz

In this document:

- Memory Configuration and Upgrading
- Memory Option Kits
- Installation
- Memory Map

Memory Configuration and Upgrading

ProLiant 3000, 400, 450, 500, 550 and 600 MHz Models Overview **Memory DIMM Sockets**



Memory Requirements

The ProLiant 3000 systems with 8 DIMM sockets on the system board, ship with the standard memory located in Bank 5. The optimal memory configuration for the Highly Parallel System Architecture is achieved when all memory banks are full, and the amount of memory is evenly distributed across the two memory controllers. This configuration maximizes the memory-access interleaving.

The advantages of large memory configurations to application server tasks, and the results of spanning the large amount of memory across two memory controllers will give enhanced performance compared to single memory-controller systems.

Up to 4GB of buffered SDRAM memory DIMMs can be added to the system board. Only buffered SDRAM memory is supported. Gold connector DIMMs are specified.

Optimal memory utilization is achieved by installing the DIMMs as follows:

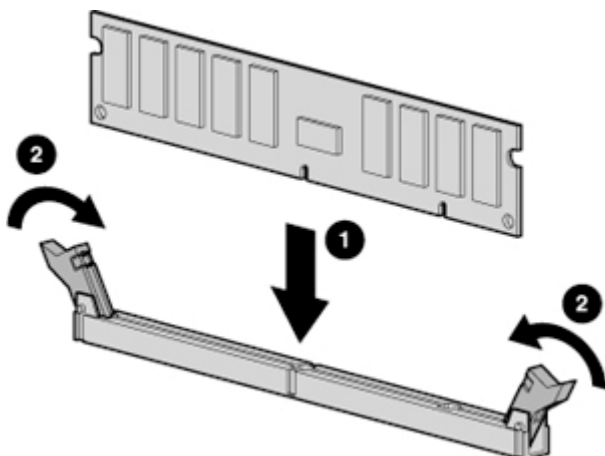
- 1st DIMM – Factory Installed in DIMM Socket 8
- 2nd DIMM – Install in DIMM Socket 4
- 3rd DIMM – Install in DIMM Socket 7
- 4th DIMM – Install in DIMM Socket 3
- 5th DIMM – Install in DIMM Socket 6
- 6th DIMM – Install in DIMM Socket 2
- 7th DIMM – Install in DIMM Socket 5
- 8th DIMM – Install in DIMM Socket 1

Important: Some documentation may indicate a different slot ordering recommendation than the above. This new information was taken from Customer Advisory, EL990702_CW01, Revision: 0, "ProLiant 3000 Memory Slot Population Order Change".

Memory Option Kits

Description	Kit Contains	Option Part Number
32-MB 100 MHz ECC SDRAM DIMM Memory Kit	1 - 32-MB SDRAM DIMM	313613-B21
64-MB 100 MHz ECC SDRAM DIMM Memory Kit	1 - 64-MB SDRAM DIMM	313614-B21
128-MB 100 MHz ECC SDRAM DIMM Memory Kit	1 - 128-MB SDRAM DIMM	313615-B21
256-MB 100 MHz ECC SDRAM DIMM Memory Kit	1 - 256-MB SDRAM DIMM	313616-B21
512-MB 100 MHz ECC SDRAM DIMM Memory Kit	1- 512-MB SDRAM DIMM	313617-B21

Installation



Installation Instructions

1. Power down the server.
2. Remove the server access cover.
3. Identify the correct DIMM slot.
4. Open the DIMM slot latches.
5. Align the key slot in the bottom edge of each DIMM with the tab in the DIMM expansion slot. **NOTE:** DIMMs will not seat if turned the wrong way.
6. Insert each DIMM straight down into a socket on the system board **(1)** .
7. As the DIMM goes into the socket, the latches close **(2)** .
8. Press down firmly on the DIMM until it snaps into place.
9. Reinstall the access cover.
10. Power server back on.

If you are installing DIMMs in a rack model, you must slide the server out of the rack to open the top access cover.