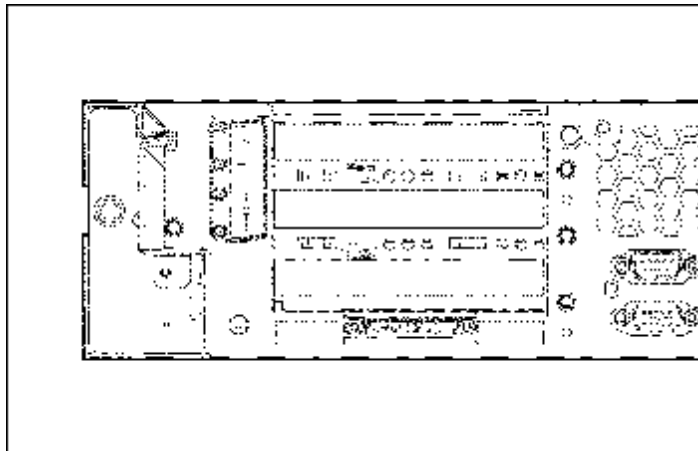


Item	Description
1	System power cable
2	Power supply signal cable
3	SCSI power cable

## External Storage Cabling



The external VHDCI SCSI connector (port 1) can only be used in the following SCSI configurations:

- Embedded simplex
- PCI simplex
- PCI duplex
- Mixed duplex (one of two configuration options)

For more information, refer to [Mixed Duplex SCSI Cabling](#) (on page 87).

After cabling external storage options, use the following software utilities:

- RBSU, to configure new hardware in the system

# Server Cabling

## In This Section

Cabling .....	83
Hot-Plug SCSI Hard Drive Cabling .....	83
USB Cabling.....	91
CD-ROM Drive Cabling .....	92
Diskette Drive Cabling.....	92
Power Button/LED Cabling.....	93
Optional PCI Hot Plug Backplane Cabling .....	94
RILOE II Cabling .....	95
Internal Power Cabling.....	95
External Storage Cabling.....	96

## Cabling

This section provides guidelines that help you make informed decisions about cabling the server and hardware options to optimize performance.

For information on cabling the optional RILOE II board, refer to the *HP Remote Insight Lights-Out Edition II User Guide* on the Documentation CD.

For information on cabling peripheral components, refer to the white paper on high-density deployment in HP or Compaq branded racks on the HP website (<http://www.hp.com>).

## Hot-Plug SCSI Hard Drive Cabling

**IMPORTANT:** If a simplex or duplex cabling configuration is not cabled correctly, the SCSI configuration error LED will illuminate. Refer to "SCSI Backplane LEDs" to locate the LED.

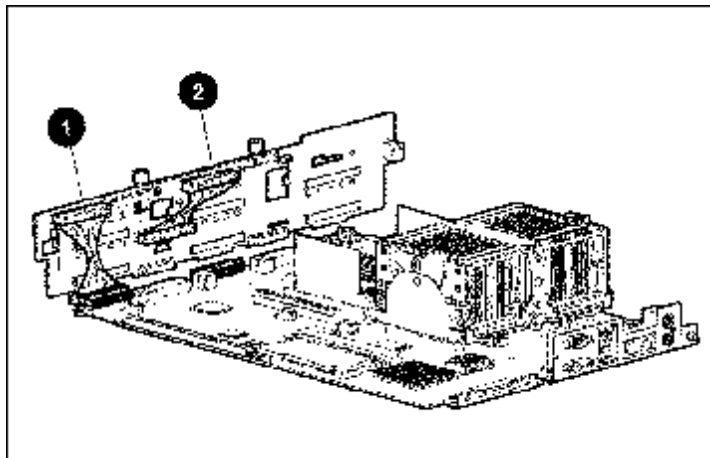
**NOTE:** The server ships with two identical short SCSI cables. Two optional long SCSI cables may be obtained for PCI Array Controllers. One optional terminator board may be obtained to support duplex SCSI configurations.

The simplex/duplex SCSI backplane supports six cabling configurations, including:

- Embedded simplex
- Embedded duplex
- PCI simplex
- PCI duplex
- Mixed duplex (two configuration options)

### Embedded Simplex SCSI Cabling

In the embedded simplex cabling configuration, the embedded Smart Array 6i Plus Controller controls up to six hard drives through one SCSI bus. The server ships standard with this configuration.



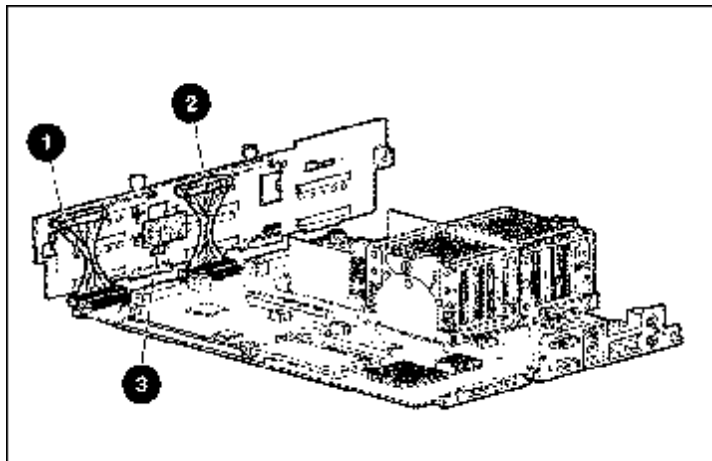
**NOTE:** The short SCSI cables are identical.

Item	Component description	SCSI IDs managed
1	Short SCSI cable	0, 1, 2, 3, 4, 5
2	Short SCSI cable used to jumper the two SCSI buses together	N/A

## Embedded Duplex SCSI Cabling

In the embedded duplex cabling configuration, the embedded Smart Array 6i Plus Controller controls up to six hard drives through two SCSI buses: one bus with up to two drives and the other bus with up to four drives.

**NOTE:** This specific cabling configuration does not support external VHDCI.



**NOTE:** Optional SCSI terminator board and optional long SCSI cables are available in the SCSI Configuration Option Kit.

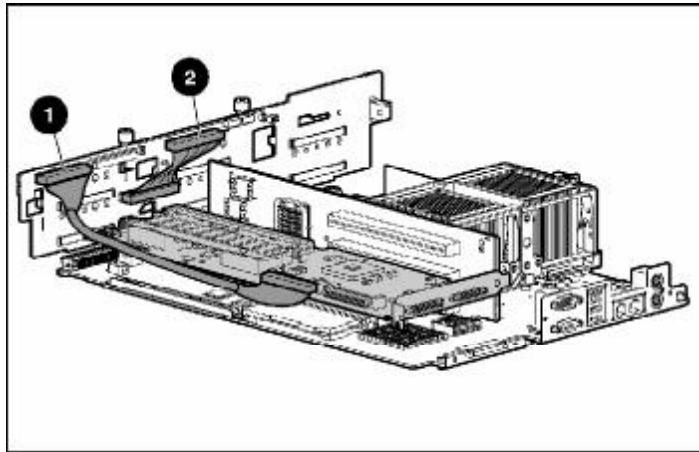
**NOTE:** The short SCSI cables are identical.

Item	Component description	SCSI IDs managed
1	Short SCSI cable	0, 1
2	Short SCSI cable	2, 3, 4, 5
3	Optional terminator board	N/A

Refer to "Installing the SCSI Terminator Board (on page 89)" for SCSI terminator board installation procedures.

## PCI Simplex SCSI Cabling

In the PCI simplex cabling configuration, an optional PCI array controller controls up to six hard drives through one SCSI bus.

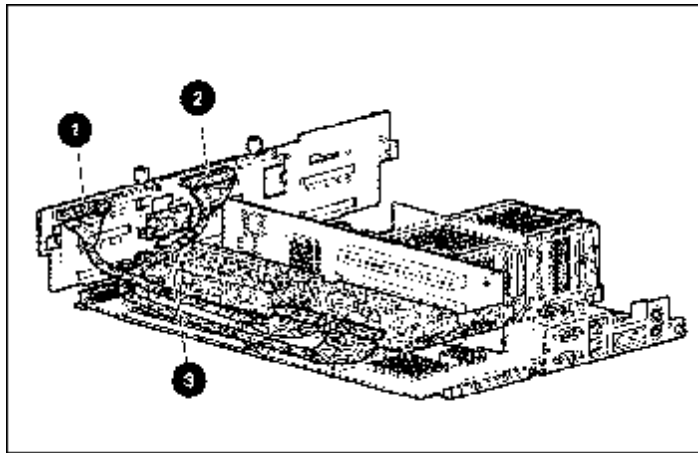


**NOTE:** Optional SCSI terminator board and optional long SCSI cables are available in the SCSI Configuration Option Kit.

Item	Component description	SCSI IDs managed
1	Optional long SCSI cable	0, 1, 2, 3, 4, 5
2	Short SCSI cable used to jumper the two SCSI buses together	N/A

## PCI Duplex SCSI Cabling

In the PCI duplex cabling configuration, an optional PCI array controller controls up to six hard drives through two SCSI buses: one bus with up to two drives and one bus with up to four drives.



**NOTE:** Optional SCSI terminator board and optional long SCSI cables are available in the SCSI Configuration Option Kit.

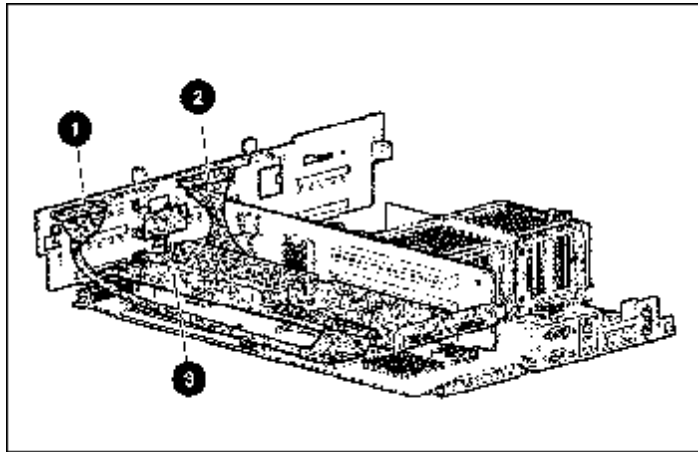
Item	Component description	SCSI IDs managed
1	Optional long SCSI cable	0, 1
2	Optional long SCSI cable	2, 3, 4, 5
3	Optional terminator board	N/A

Refer to "Installing the SCSI Terminator Board (on page 89)" for SCSI terminator board installation procedures.

## Mixed Duplex SCSI Cabling

In the mixed duplex SCSI cabling configuration, an optional PCI array controller controls up to six hard drives through two SCSI buses: one bus with up to two drives and one bus with up to four drives. Two configuration options are available for mixed duplex SCSI cabling.

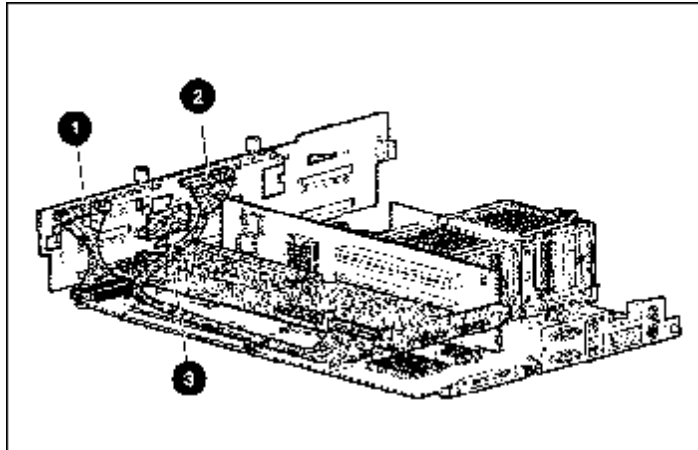
**NOTE:** This specific cabling configuration does not support external VHDCI.



**NOTE:** Optional SCSI terminator board and optional long SCSI cables are available in the SCSI Configuration Option Kit.

Item	Component description	SCSI IDs managed
1	Optional long SCSI cable	0, 1
2	Short SCSI cable	2, 3, 4, 5
3	Optional terminator board	N/A

**NOTE:** This specific cabling configuration supports external VHDCI.



**NOTE:** Optional SCSI terminator board and optional long SCSI cables are available in the SCSI Configuration Option Kit.

Item	Component description	SCSI IDs managed
1	Short SCSI cable	0, 1
2	Optional long SCSI cable	2, 3, 4, 5
3	Optional terminator board	N/A

## Installing the SCSI Terminator Board

1. Power down the server ("Powering Down the Server" on page 33).
2. Extend or remove the server from the rack ("Extending the Server from the Rack" on page 50).
3. Remove the access panel ("Removing the Access Panel" on page 34).
4. Remove the front fan bracket.

**IMPORTANT:** For this procedure, you do not need to remove the hot-plug fans from the front fan bracket. When reinstalling the front fan bracket, press the top of each fan to be sure it seats securely.

**NOTE:** For more information on preparing the server for installation or removal procedures, refer to the Documentation CD.