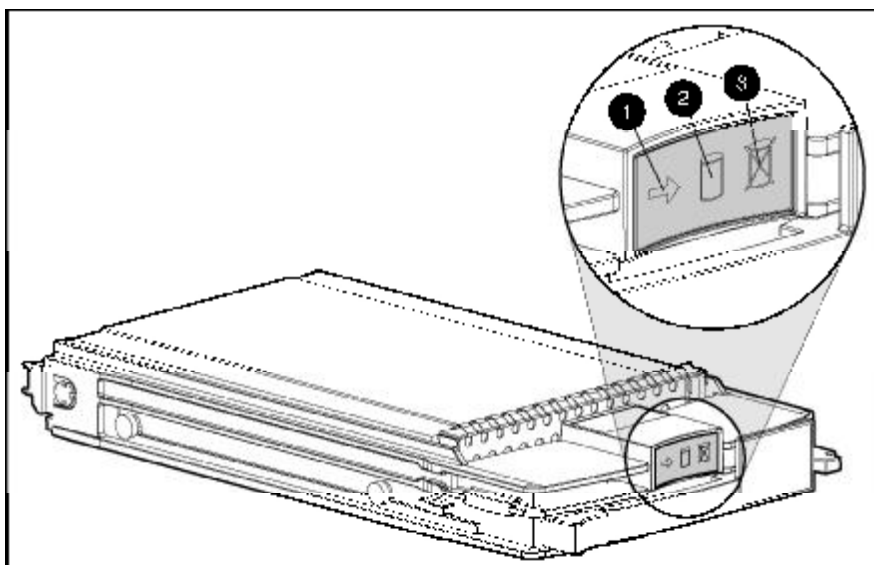
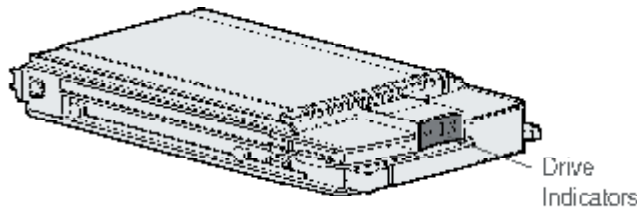


## Hot-Plug SCSI Hard Drive LED Indicators

The hot-plug SCSI hard drive LEDs, located on each physical drive, are visible on the front of the server or external storage unit. They provide: (1) Activity, (2) Power/Online, and (3) Fault status for each corresponding drive when configured as a part of an array and attached to a powered-on controller. Their behavior can vary, depending on the status of other drives in the array.



**Figure 8-9: Hot-plug SCSI hard drive LEDs**



	Do not remove the drive. Removing the drive during this process will cause data loss. The drive is being accessed and is not configured as part of an array.
	Do not remove the drive. Removing the drive during this process will cause data loss. The drive is rebuilding or undergoing capacity expansion.
	Do not remove the drive. Removing the drive during this process will cause data loss. The drive is part of an array being selected by the Array Configuration Utility. - Or - The options ROMpaq is upgrading the drive.
	OK to replace the drive online if a predictive failure alert is received and the drive is attached to an array controller. The drive is not configured as part of an array. - Or - If this drive is part of an array, then a powered-on controller is not accessing the drive. - Or - The drive is configured as an online spare.
	OK to replace the drive online. The drive has failed and has been placed off-line.
	OK to replace the drive online if a predictive failure alert is received, provided the array is configured for fault tolerance and all other drives in the array are online. The drive is online and configured as part of an array.
	OK to replace the drive online if a predictive failure alert is received, provided the array is configured for fault tolerance and all other drives in the array are online. The drive is online and configured as part of an array.
	OK to replace the drive online if a predictive failure alert is received, provided the array is configured for fault tolerance and all other drives in the array are online. The drive is online and configured as part of an array.

OFF  
 Online  
 Drive Access  
 Drive Failure

**Figure 8-10: SCSI hard drive LEDs**