



## Electronics Drawer



**WARNING:** To reduce the risk of personal injury or damage to the equipment, do not use the electronics drawer handle to lift or move the ProLiant ML570 server.

To remove the electronics drawer from the ProLiant ML570 server:

1. Perform the preparation procedures. See “Preparation Procedures” earlier in this chapter.
2. Remove the access panel. See “Access Panel (Tower and Rack)” earlier in this chapter.
3. Remove the CPU fan air baffle. See “CPU Fan Air Baffle” earlier in this chapter.
4. Press the thumb latch  adjacent to the electronics drawer handle to release the electronics drawer.
5. Grasp the electronics drawer handle , then pull the tray from the chassis until it stops.

**NOTE:** If the server is mounted into a rack, accessibility to the electronics drawer latches can be increased by pulling the server forward from the rack (approximately the depth of the drives) before sliding the electronics drawer from the back of the chassis.

6. Push and hold the latches on the electronics drawer , then slide the tray  out from the chassis.



**CAUTION:** Do not pull the electronics drawer completely out from the server unless all cables have been disconnected. See additional information below.

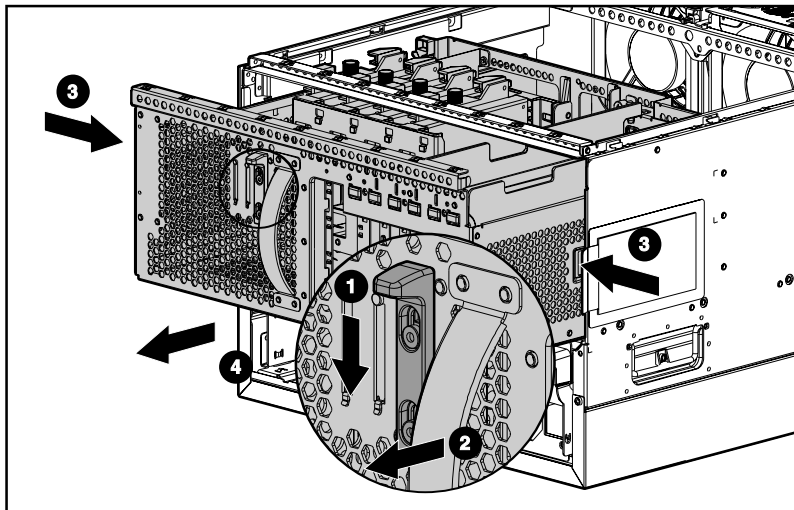


Figure 2-26. Removing the electronics drawer

## Fans

The ProLiant ML570 server ships standard with two hot-plug system fans (one CPU and one I/O) and three redundant, hot-plug drive fans. The two system fan baskets are designed to allow for a redundant hot-plug fan in each basket. Figure 2-6 and Table 2-1 show the location of all fans in the ProLiant ML570 server, including the fan name and primary function.

**NOTE:** Fans may continue to spin after a temporary failure occurs. Replace failed fans (amber LED) even if spinning continues.

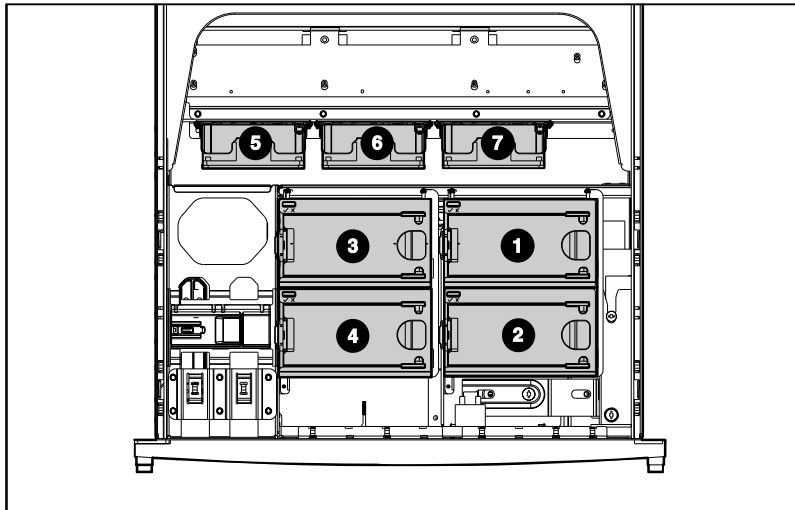


Figure 2-6. Hot-plug fan locations



**Table 2-1**  
**Hot-Plug Fan Locations**

Fan	Name	Primary Function	Area Cooled
1	Hot-plug system fan	Primary CPU fan	Processors
2	Hot-plug system fan	Redundant CPU fan	Processors
3	Hot-plug system fan	Primary I/O fan	System board
4	Hot-plug system fan	Redundant I/O fan	System board
5, 6, 7	Hot-plug hard drive fan	Drive fans	Hard drives

**Note:** An amber fan LED indicates fan failure. A green fan LED indicates that the fan is working properly. See "Hot-Plug Fan LED Indicators" in Chapter 4 for more information.

## Power Backplane Board

To remove the power backplane board:

1. Perform the preparation procedures. See “Preparation Procedures” earlier in this chapter.
2. Remove the access panel. See “Access Panel (Tower and Rack)” earlier in this chapter.
3. Slide the electronics drawer partially out of the chassis. See “Electronics Drawer” earlier in this chapter.
4. Remove the hard drive fan air baffle. See “Hard Drive Fan Air Baffle” earlier in this chapter.
5. Disconnect all cables from the power backplane board. See “Cable Routing Diagrams” earlier in this chapter.
6. Loosen the two T-15 thumbscrews .
7. Slide the power backplane board  toward the power supplies, then lift the power backplane board from the chassis.

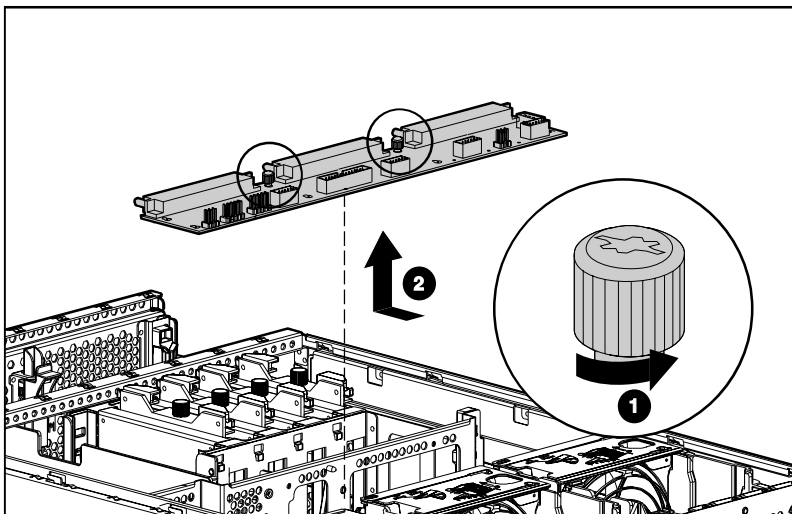


Figure 2-44. Removing the power backplane board

Reverse steps 1 through 7 to replace the power backplane board.