

LED Indicators

This section contains information on service LED indicators located on the ProLiant DL580 server. LED indicators covered in this section include:

- Front Bezel LED Indicators
- Interlock Status LED Indicators
- Internal Diagnostics Display (IDD) Indicator
- Hot-Plug Power Supply LED Indicators
- Hot-Plug Fan LED Indicators
- PCI Hot Plug Switchboard LED Indicators
- Hot-Plug Hard Drive LED Indicators
- Diskette Drive and CD-ROM LED Indicators

Front Bezel LED Indicators

Figure 4-9 shows the front bezel LED indicators for the ProLiant DL580 server. Table 4-9 identifies the corresponding LED status descriptions.

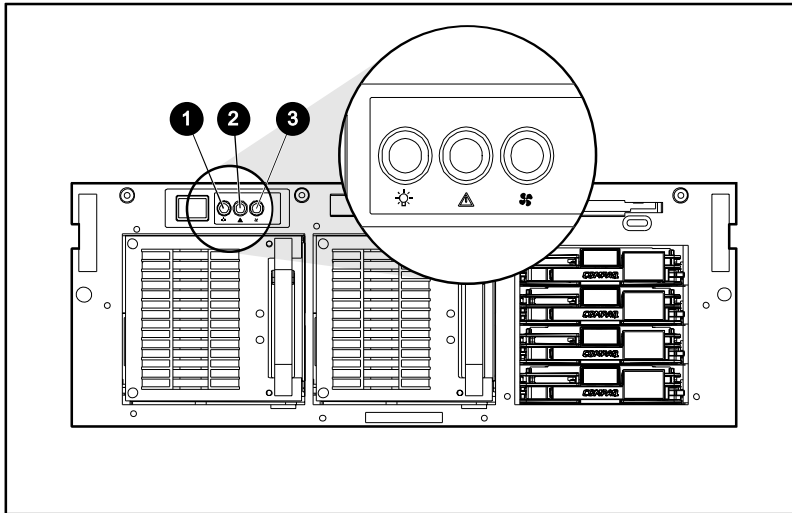


Figure 4-9. Front bezel LED indicators

Table 4-9
Front Bezel Status LED Indicators

Item	Description	Status	Condition
⚡	Power LED	Green	System power on
		Amber	System power in standby
		Amber (flashing)	Temporary shutdown (15 seconds) due to thermal event or an interlock problem
		Off	System power off
🧠	Memory	Green	All memory modules (DIMMs) and processors operational
		Amber (flashing)	One or more DIMMs or processors have failed—check the Internal Diagnostics Display (IDD). See “Internal Diagnostics Display (IDD) indicator” later in this section.
🌀	Fans	Green	All fans operational
		Amber (flashing)	One or more fans have failed—check fan LED indicators. See “Hot-Plug Fan LED Indicator” later in this section.

Interlock Status LED Indicators

Improperly seated components in the interlock chain cause the LED associated with the fault origination point to illuminate on the system board. Figure 4-10 shows the location of the interlock status LED indicators and Table 4-10 identifies the point of the hardware connection fault.

IMPORTANT: This server is not equipped with chassis door or access panel interlocks.

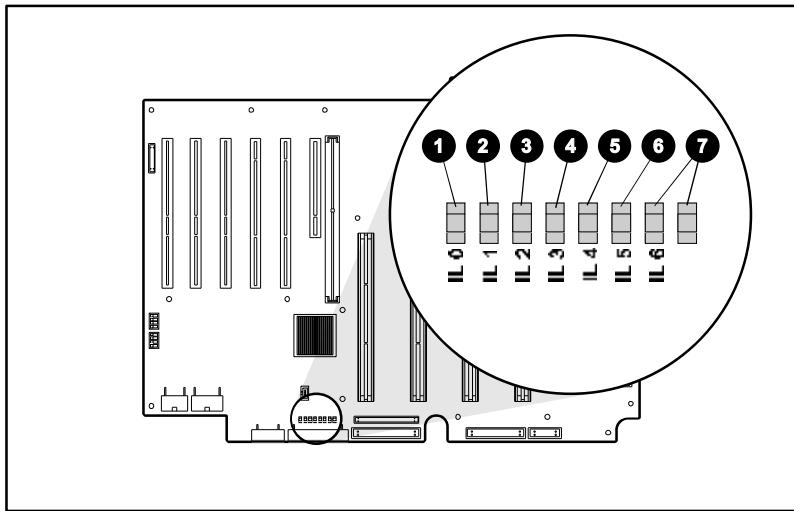


Figure 4-10. Interlock status LED indicators on system board

Table 4-10
System Board Interlock Status LED Indicators

Fault of Interlock Error	1	2	3	4	5	6	7
Memory board	On	On	On	On	On	On	On
Processor 1	Off	On	On	On	On	On	On
Processor 2	Off	Off	On	On	On	On	On
Processor 3	Off	Off	Off	On	On	On	On
Processor 4	Off	Off	Off	Off	On	On	On
Peripheral board	Off	Off	Off	Off	Off	On	On
P/S backplane board	Off	Off	Off	Off	Off	Off	On
No interlock error	Off	Off	Off	Off	Off	Off	Off

Note: Only the left LED indicator in any row provides a valid indication of error. After ensuring that the server is powered down and the power cables are disconnected from all the power supplies, reseal the device associated with the left LED.

Internal Diagnostics Display Indicator

Figure 4-11 shows the location of the Internal Diagnostic Display (IDD) indicator. The IDD indicator provides alphanumeric codes that assist the technician in determining trouble conditions. Table 4-11 lists diagnostic codes that identify processor or memory trouble conditions. Refer to the *Compaq ProLiant DL580 Server Setup and Installation Guide* for more information.

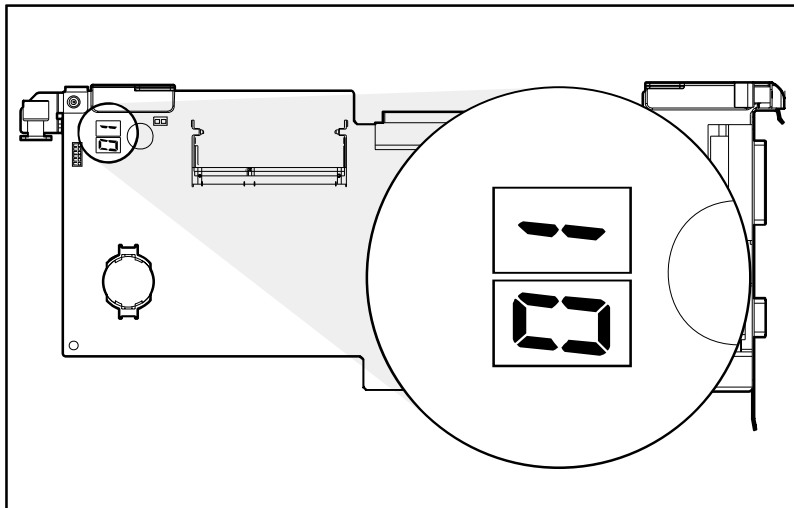


Figure 4-11. Internal Diagnostics Display (IDD) indicator

Table 4-11
Internal Diagnostic Display (IDD) Indicator Codes

Error Code	Description	Error Code	Description
P1	Processor 1	07	DIMM 7
P2	Processor 2	08	DIMM 8
P3	Processor 3	09	DIMM 9
P4	Processor 4	10	DIMM 10
01	DIMM 1	11	DIMM 11
02	DIMM 2	12	DIMM 12
03	DIMM 3	13	DIMM 13
04	DIMM 4	14	DIMM 14
05	DIMM 5	15	DIMM 15
06	DIMM 6	16	DIMM 16

Hot-Plug Power Supply LED Indicators

Figure 4-12 shows the hot-plug power supply LED indicators on the ProLiant DL580 server. The ProLiant DL580 server ships with two hot-plug, dual-rated, 450-watt power supplies installed. Each hot-plug power supply has a status and an AC power indicator that shows the current status of the power supply. Table 4-12 lists the corresponding LED status descriptions.

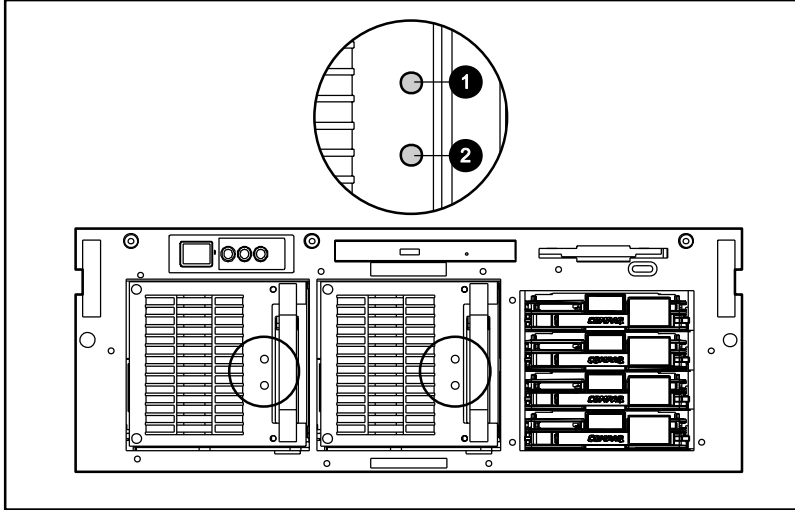


Figure 4-12. Hot-plug power supply LED indicators

Table 4-12
Hot-Plug Power Supply LED Indicators

Item	Function	LED Status	Current Condition
●	Status	Green (steady)	Power OK
		Off	Fault
●	AC power	Green (steady)	AC power present
		Off	AC power not present or fault

Hot-Plug Fan LED Indicators

Hot-plug fan diagnostic LED indicators show the condition of each fan for the ProLiant DL580 server. If the front bezel fan LED indicator is flashing amber, check the individual fan diagnostic LED indicator to determine which fan has failed. See “Front Bezel LED Indicators” earlier in this chapter.

To view the individual hot-plug fan diagnostic LED indicators, remove the access panel of the server. See “Access Panel” in Chapter 2. Figure 4-13 shows the location of the hot-plug fan diagnostic LED indicators. Table 4-13 identifies the diagnostic LED indicators and describes the condition of the fan.

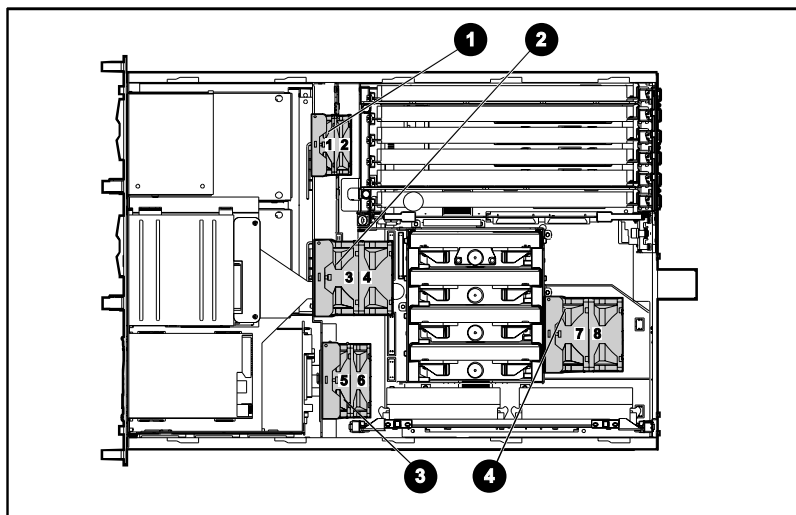






Figure 4-13. Hot-plug fan locations and LED indicators

Table 4-13
Hot-Plug Fan Locations and LED Indicators

Item	Fan ID	Size	LED Status (All Fans)	Condition (All Fans)
	1 and 2	80 x 20 mm (3.15 x 0.79 inch)	Green	Fan is operational
	3 and 4	92 x 38.1 mm (3.62 x 1 ½ inch)		Amber
	5 and 6	92 x 25.4 mm (3.62 x 1 inch)	Off	No power to fan
	7 and 8	92 x 38.1 mm (3.62 x 1 ½ inch)		

PCI Hot Plug Switchboard LED Indicators

Figure 4-14 shows the LED indicators on the PCI Hot Plug switchboard. They provide information about the status of any given hot-plug board. Table 4-14 identifies the power status, slot status, and LED condition of any hot-plug board and corresponding LED indicator status descriptions.

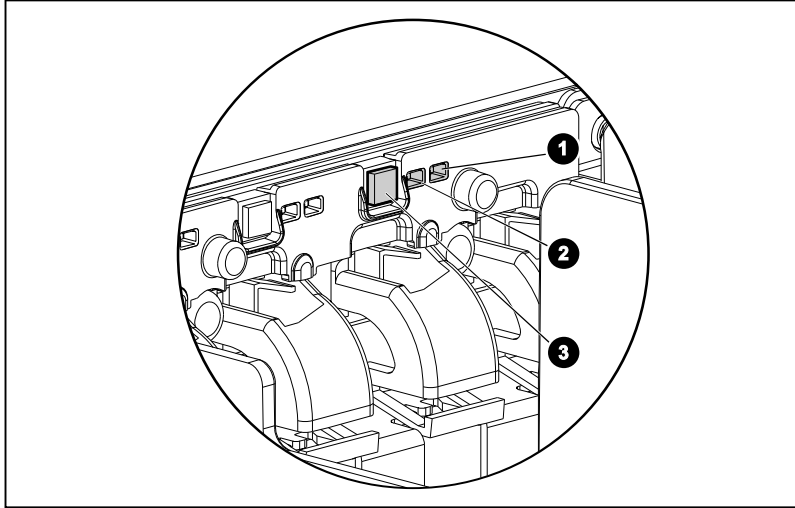


Figure 4-14. PCI Hot Plug switchboard LED indicators, PCI Hot Plug button LED indicators (❶ and ❷), and button (❸) under the PCI Hot Plug access door

The PCI Hot Plug switchboard LED indicators at each expansion slot provide a visual status of the switchboard slots that are hot-pluggable. The LED indicators are viewed from the rear of the server or by opening the PCI Hot Plug access door on the top access panel.