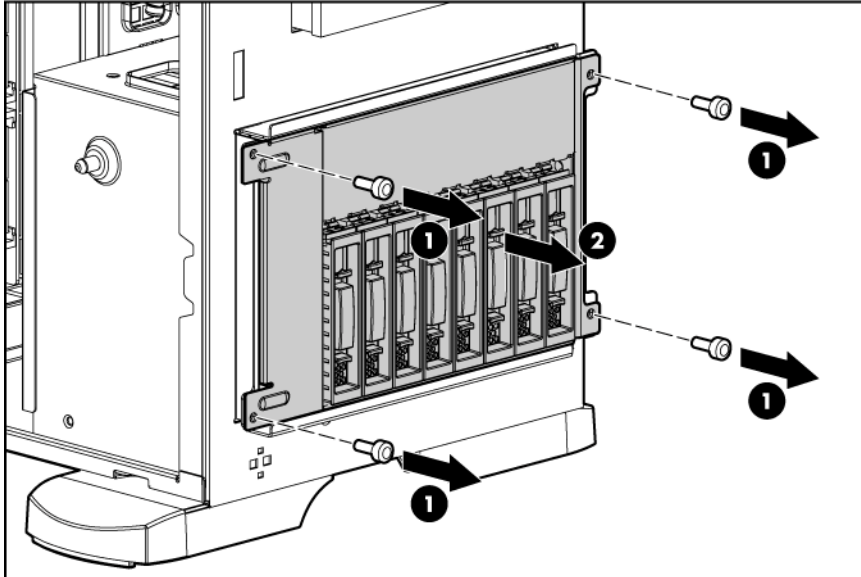


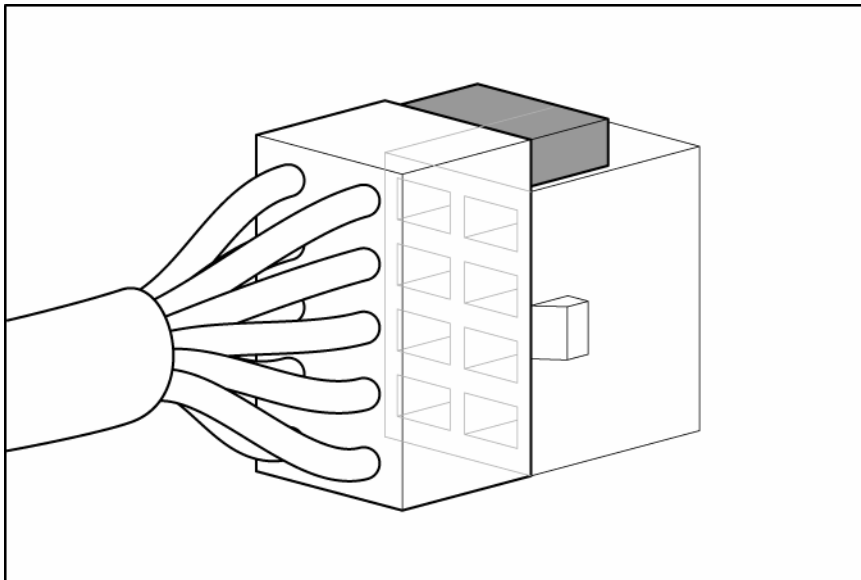
6. Remove the four T-15 screws and slide the hard drive cage out of the chassis.



7. Remove all hard drives.

To replace the components, reverse the removal procedure.

NOTE: When replacing or installing a 6-bay hard drive cage, connect the 10-pin power cable from the power backplane to the 8-pin power connector on the hard drive cage backplane. When seated properly, the connectors have a two-pin overlap. The overlap is cosmetic only and causes no functional side effects.



Air baffle

To remove the component:

1. Power down the server (on page 27).
2. Do one of the following: