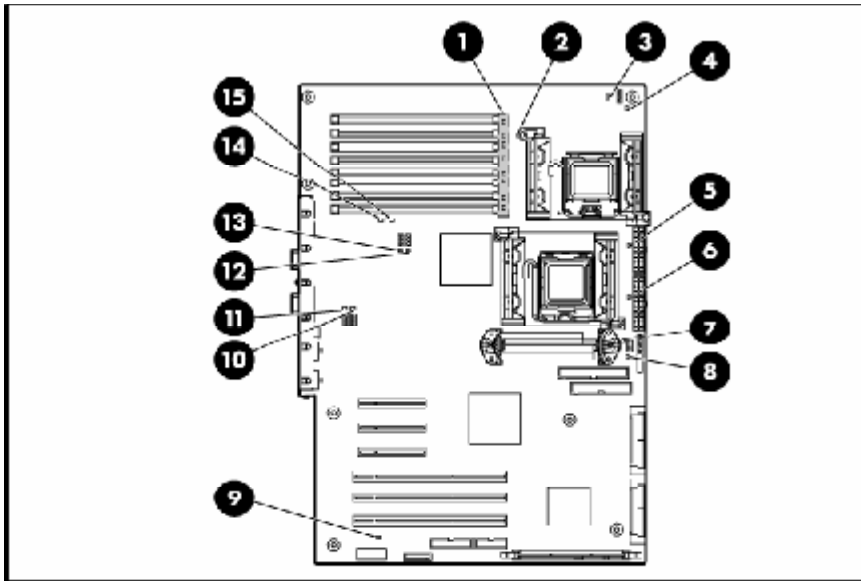


System board LEDs



Item	Description	Status
1	FBDIMM 1-8	Amber = FBDIMM failed Off = FBDIMM functioning
2	Processor 1	Amber = Processor 1 failed Off = Processor 1 functioning
3	Processor 1 fan failure (fan 5)	Amber = Fan is not installed or has failed Off = Processor fan is functioning
4	PPM 1 (embedded)	Amber = PPM 1 failed Off = PPM 1 functioning
5	Processor 2	Amber = Processor 2 failed Off = Processor 2 functioning
6	AC power	Green = Power supply is on and functioning Off = No AC power or failed power supply
7	Processor 2 fan failure (fan 6)	Amber = Fan is not installed or has failed Off = Processor fan is functioning
8	PPM 2	Amber = PPM 2 failed Off = PPM 2 functioning
9	Temperature threshold	Amber = System temperature threshold exceeded Off = Normal operation
10	Optional redundant system fan 4	Amber = Redundant fan has failed Off = Redundant fan is functioning
11	System fan 3	Amber = Fan is not installed or has failed Off = Rear fan is functioning