



CD-ROM Drive

The server is delivered with a low-profile diskette drive and a low-profile CD-ROM drive. The CD-ROM and the diskette drive may be removed independently of each other.



CAUTION: Do not operate the server without a CD-ROM drive installed. Failure to install a CD-ROM can lead to improper cooling and may damage the system.

To remove the CD-ROM drive:

1. Press the Power On/Standby switch to place the server in standby mode.
2. Push the center of the dual action eject button  to release the locking latch. Continue to push the square body of the button to push the CD-ROM drive forward out of the chassis.
3. Remove the CD-ROM from the server .

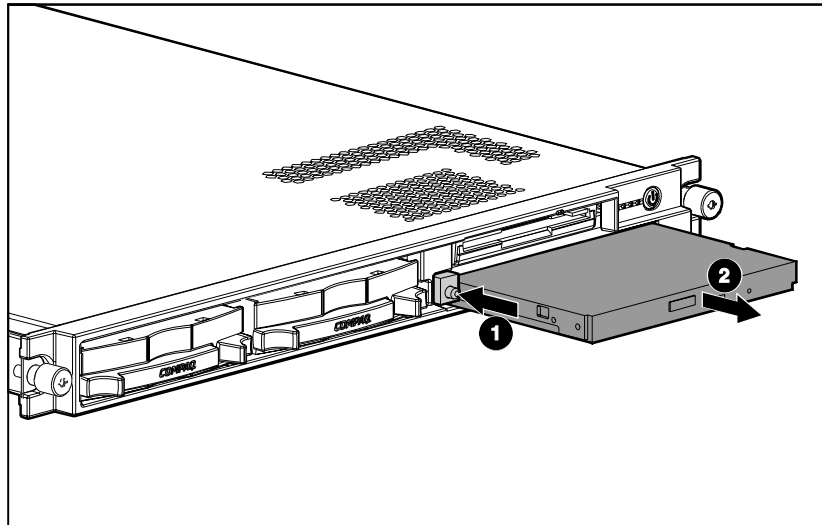


Figure 2-5: Removing the CD-ROM drive

To replace the CD-ROM drive:

1. Align the CD-ROM with the empty bay and slide the assembly into the chassis until it is fully seated.

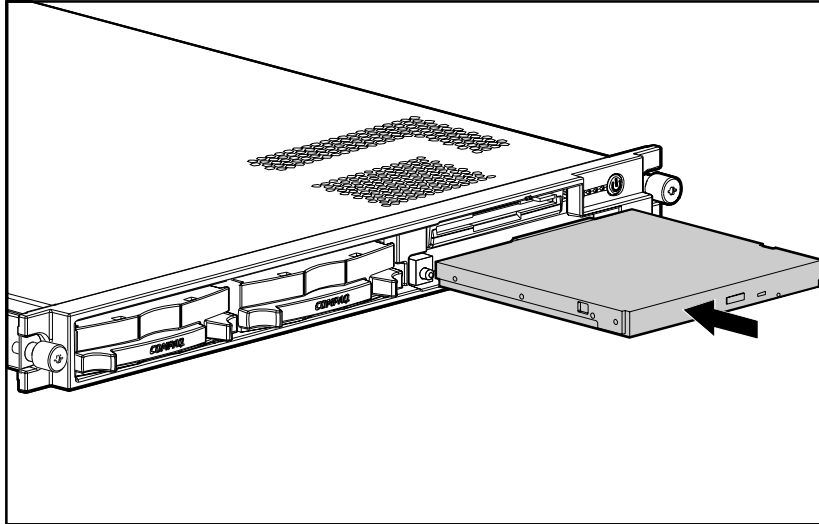


Figure 2-6: Aligning and installing the CD-ROM drive

2. Press the Power/On Standby switch to power on the server, and resume normal operations.