

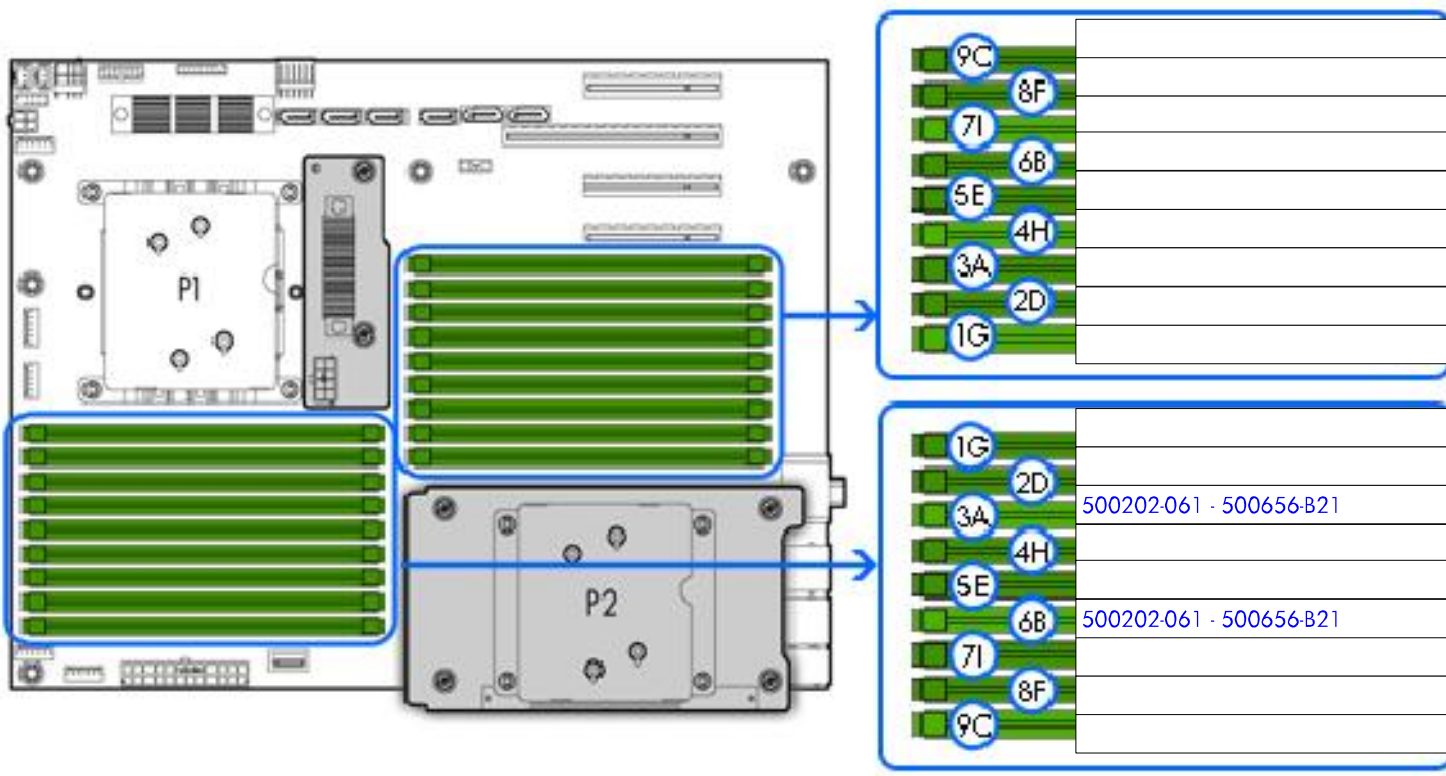
Orderable parts list

You have selected 2x2GB Dual Rank RDIMM DDR3 Memory.

- MFG #: 500656-B21
- HP 4GB Reg 2x2GB Dual Rank RDIMM Memory kit

Time stamp details: This option is available only until: 12/23

IMPORTANT: Please print out the below diagram and save, as you will need the DIMM location information when you install the memory. The diagram shows the part numbers of the DIMMs in the exact slots they need to be installed in.



» Configure Another Server

Print