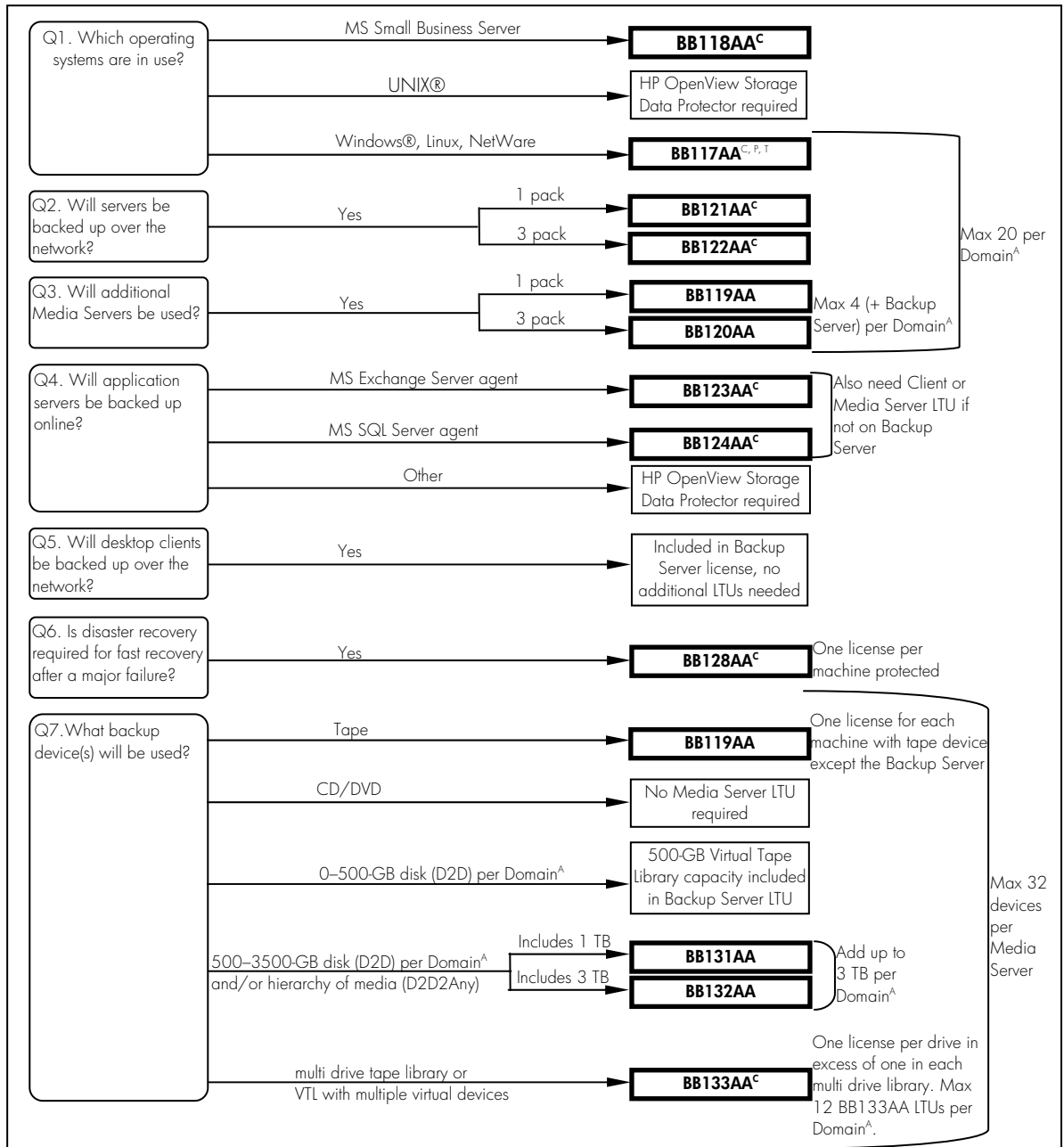


HP StorageWorks Data Protector Express ordering and configuration guide



Ordering flow chart	2
Data Protector Express required part numbers	3
Upgrades from Data Protector Express special editions to Data Protector Express part numbers.....	3
Data Protector Express options and functional extensions part numbers	4
Notes for Data Protector Express part numbers	5
License key acquisition	7
Upgrading from Data Protector Express Single Server Edition ¹ to Data Protector Express	8
Upgrading from Data Protector Express ProLiant Edition to Data Protector Express	8
Data Protector Express and Data Protector Express special editions differences	9
Configuration examples.....	11
For more information.....	16

Ordering flow chart



- A This means the Data Protector Express Storage Management Domain.
- C Indicates that this part can be acquired using a competitive upgrade SKU. Competitive upgrade SKUs are only available for upgrades from Symantec Backup Exec and Computer Associates BrightStor ARCserve. Ownership of these other vendors' products is verified before the Data Protector Express license key is delivered.
- P This same SKU is also available to owners of Data Protector Express ProLiant Edition by ordering BB117AP.
- T This same SKU is also available to owners of Data Protector Express Single Server Edition by ordering BB117AT.

Data Protector Express required part numbers

One of the LTUs in the following table is required before any options or extensions can be added to Data Protector Express. The notes referred to are on page 5.

Part number	Description	Note
BB117AA^C	HP StorageWorks Data Protector Express Backup Server media & LTU One per Data Protector Express Storage management Domain. Contains the Data Protector Express catalog. Also acts as a Media Server. Includes support for network backup of desktop machines. Add agents to backup networked servers.	a
BB118AA^C	HP StorageWorks Data Protector Express Package for Microsoft® Small Business Server media & LTU Special package of Backup Server, MS Exchange Agent, MS SQL Server Agent and Bare Metal Disaster Recovery. Will only run on Windows Small Business Server operating systems.	b

Upgrades from Data Protector Express special editions to Data Protector Express part numbers

The notes referred to are on page 5.

Part number	Description	Note
BB117AT	HP StorageWorks Data Protector Express Backup Server upgrade from Data Protector Express Single Server Edition media & LTU Upgrade from Data Protector Express Single Server Edition to Data Protector Express. Also available for HP tape drive customers that have Yosemite TapeWare XE acquired with earlier HP tape drives.	c
BB117AP	HP StorageWorks Data Protector Express Backup Server upgrade from Data Protector Express ProLiant Edition media & LTU Upgrade from Data Protector Express ProLiant Edition to Data Protector Express.	d

^C Indicates that this part can be acquired using a competitive upgrade SKU. Competitive upgrade SKUs are only available from Symantec Backup Exec and Computer Associates BrightStor ARCserve. Ownership of these other vendors products is verified before the Data Protector Express license key is delivered.

Data Protector Express options and functional extensions part numbers

The notes referred to are on pages 5 and 6.

Part #	Description	Note
BB119AA	HP StorageWorks Data Protector Express Media Server LTU Remove Backup Server and/or network as a throughput bottleneck by distributing backup devices across Media Servers. The Backup Server automatically is a Media Server. Add up to 4 more Media Servers per Domain.	e
BB120AA	HP StorageWorks Data Protector Express Media Server (3 pack) LTU	e
BB121AA^C	HP StorageWorks Data Protector Express Network Server Backup Agent LTU Add network file servers to the Storage Management Domain to be protected centrally from Data Protector Express Backup Server.	f
BB122AA^C	HP StorageWorks Data Protector Express Network Server Backup Agent (3 pack) LTU	f
BB123AA^C	HP StorageWorks Data Protector Express Agent for MS Exchange LTU Add an MS Exchange Server to the Data Protector Express Storage Management Domain for online backup.	g
BB124AA^C	HP StorageWorks Data Protector Express Agent for MS SQL Server LTU Add an MS SQL Server to the Data Protector Express Storage Management Domain for online backup.	h
BA153AA	HP OpenView Data Protector open file backup for 1 server LTU For backup of open files on Windows and NetWare file servers.	
BA153BA	HP OpenView Data Protector open file backup for 10 servers LTU	
BA152AA	HP StorageWorks Data Protector Express Windows open file backup media Media to deliver BA153AA and BA153BA	
BB128AA^C	HP StorageWorks Data Protector Express Bare Metal DR LTU Create bootable media to reduce downtime following a hardware or software failure. Automates system recovery and returns system to state of last backup without requiring a reinstallation of the operating system. Supports HP OBDR on HP tape products.	i
BB131AA	HP StorageWorks Data Protector Express D2D2Any (1-TB incremental D2D) LTU Extends Virtual Tape Library (D2D) backup capability by enabling policy-driven movement or copy of backups to the Virtual Library Device to other disk or tape devices (D2D2Any). Also extends the VTL licensed capacity of the Domain by 1TB.	i
BB132AA	HP StorageWorks Data Protector Express D2D2Any (3-TB incremental D2D) LTU Same functionality as BB132AA. Extends the VTL licensed capacity of Domain by 3TB.	i
BB133AA^C	HP StorageWorks Data Protector Express Drive Expansion LTU First drive in any library (physical or virtual) is included in Backup Server or Media Server LTU. Each additional drive in a library requires a Drive Expansion LTU, up to a maximum of 12 per Data Protector Express Storage Management Domain.	k

Notes for Data Protector Express part numbers

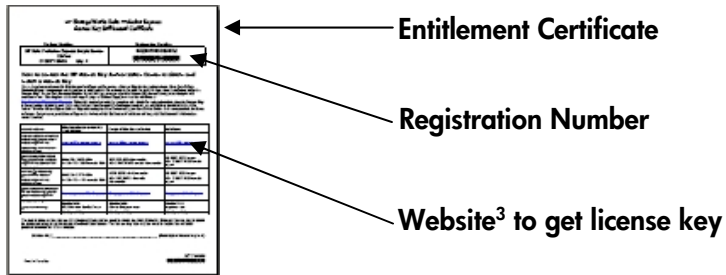
- a. The starting point and a prerequisite for using Data Protector Express on a single machine or for network data protection. Holds the catalogue and acts as a Media Server, with the same features and restrictions as all Media Servers. Includes backup support for an unlimited number of LAN-connected Microsoft Windows desktop machines. Supports backup of up to 20 (including Data Protector Express Backup Server) LAN-connected servers through use of agents. Supports up to four additional Media Servers. Additional Media Servers are counted against the maximum of 20 server-class machines per Domain. Includes 0.5TB Virtual Tape Library (D2D) configured backup capacity that is upgradeable to 3.5 TB. The Virtual Tape Library (D2D) capacity refers to the total capacity of configured Virtual Library Devices in the Storage Management Domain.
- b. This is a special package, orderable as a single SKU, made up of Data Protector Express Backup Server (BB117AA), MS Exchange Agent (BB112AA), SQL Server Agent (BB124AA), and Bare Metal Disaster Recovery option (BB128AA). It only runs on MS Small Business Server variant of the Windows operating system; it will not run on any other operating system. The Data Protector Express SBS Package is designed for SBS users and therefore only allows appropriate options and extensions to be added. It is possible to add the D2D2Any options (BB131AA & BB132AA) to extend D2D backup capacity and functionality and add the LTU (BB133AA) for additional drives in devices configured on and connected to the Backup Server. It is not possible to add agents for additional file or application servers or additional Media Servers.
- c. Requires existing ownership of Data Protector Express Single Server Edition. The License Key delivered with this SKU checks for existence of the Single Server Edition License Key; without this it will not work. To maintain the Bare Metal Disaster Recovery option that is part of the tape drive solution this option (BB128AA) must also be ordered for each machine that requires disaster recovery. This is also available for existing owners of HP tape drives and TapeWare XE. The customer gets exactly the same product as if BB117AA is ordered; this is simply a mechanism to recognize the value of Data Protector Express Single Server Edition and provide these users a reduced cost of acquiring Data Protector Express relative to ordering BB117AA.
- d. Requires existing ownership of Data Protector Express ProLiant Edition. The License Key delivered with this SKU checks for existence of the ProLiant Edition License Key; without this it will not work. The customer gets exactly the same product as if BB117AA is ordered; this is simply a mechanism to recognize the value of Data Protector Express ProLiant Edition and provide these users a reduced cost of acquiring Data Protector Express relative to ordering BB117AA.
- e. Prerequisite is ownership or purchase of Data Protector Express Backup Server (BB117AA). Up to four Data Protector Express Media Servers can be added to the Storage Management Domain to have a maximum, including the Backup Server, of five Media Servers per Storage Management Domain. A Media Server LTU is required for each machine that has a physical tape drive/autoloader/library connected to it. Each Media Server can have up to 32 backup devices connected or configured. This total includes physical devices and Virtual Tape Devices. This gives a maximum of 160 devices per Storage Management Domain. The Media Server LTU allows each device to have a single drive. Additional drives must be licensed with the drive extension LTU (BB133AA). There is no restriction on slots in a tape library or Virtual Cartridges in a Virtual Tape Library. The machine that acts as the host of a Virtual Tape Library needs a Media Server LTU. The VTL host machine is the machine that the VTL is attached to (defined during creation). If a server has storage (spill pool) that is part of a Virtual Tape Library but that server does not host the VTL, that machine does not need a Media Server LTU. If you specify a CD/DVD burner on a server for remote backup, that machine does not need a Media Server LTU.

- f. Prerequisite is ownership or purchase of Data Protector Express Backup Server. This is required for all file and application server class machines (defined by operating system) that are backed up over the LAN to the Data Protector Express Backup Server or a Data Protector Express Media Server. Unless the machine is running the Backup Server, if the machine is backed up to a locally attached tape device, then a Media Server LTU is required. In this case a Network Client Agent is not needed because the Media Server provides the connection to the Backup Server.
- g. Prerequisite is ownership or purchase of Data Protector Express Backup Server. Allows online backup of a MS Exchange Server. If the Exchange Server is not running on the same machine as the Backup Server, a Network Server Backup Agent (BB121AA) is required for 'connection' to the Backup Server. If backup will take place to a local tape device and the Backup Server is not running on the same machine as the Exchange Server, a Media Server LTU (BB119AA) is also required. One LTU required per Exchange Server to be backed up online.
- h. Prerequisite is ownership or purchase of Data Protector Express Backup Server. Allows online backup of a MS SQL Server. If the Exchange Server is not running on the same machine as the Backup Server, a Network Server Backup Agent (BB121AA) is required for 'connection' to the Backup Server. If backup will take place to a local tape device and the Backup Server is not running on the same machine as the SQL Server, a Media Server LTU (BB119AA) is also required. One LTU required per SQL Server to be backed up online.
- i. Provides disaster recovery capability for the Data Protector Express Backup Server or a Data Protector Express Media Server allowing the machine to be quickly recovered following a major disaster. Supports booting from CD/DVD and supports HP tape drives One Button Disaster Recovery (OBDR) feature to allow booting and recovery from tape. One LTU required per machine to be protected.
- j. This extends the Virtual Tape Library backup capability by enabling backups to Virtual Tape Cartridges to be moved/copied to and other supported media. BB131AA extends the configured Virtual Tape Library capacity of the Data Protector Express Storage Management Domain by 1TB. BB132AA extends the configured Virtual Tape Library capacity of the Data Protector Express Storage Management Domain by 3TB. Maximum configured Virtual Tape Library capacity in a Data Protector Express Storage Management Domain is 3.5TB.
- k. A Data Protector Express Backup Server or Media Server supports up to 32 single drive physical devices or configured Virtual Devices. Each additional drive added or configured to a device requires this Drive Expansion LTU. Any physical device that has two or more drives and mechanical media movement between these drives requires this Drive Expansion (BB133AA) LTU for each drive in excess of one. A Virtual Tape Library requires this Drive Expansion (BB133AA) LTU for each configured Virtual Device in excess of one. Tape drives, tape autoloaders, tape enclosures, and single Virtual Drive VTLs do not require this Drive Expansion LTU. Tape libraries with two or more drives and VTLs with two or more configured Virtual Drives do require this Drive Expansion LTU. The Data Protector Express Storage Management Domain can have up to 12 Drive Expansion LTUs. These can all be for one library or distributed between multiple libraries.

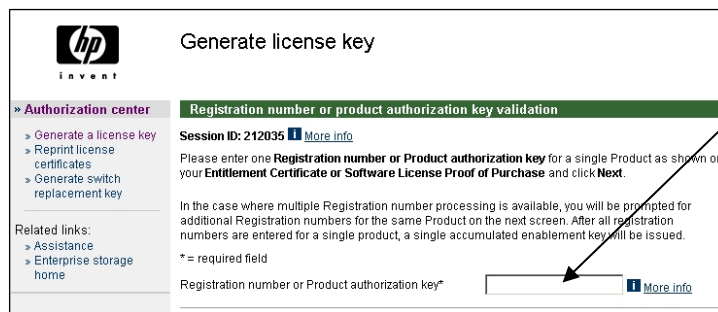
License key acquisition

All products and options are instantly-on for 60 days¹. To use beyond 60 days a license key must be acquired and entered into the Data Protector Express GUI.

All² products and options are delivered with an entitlement certificate

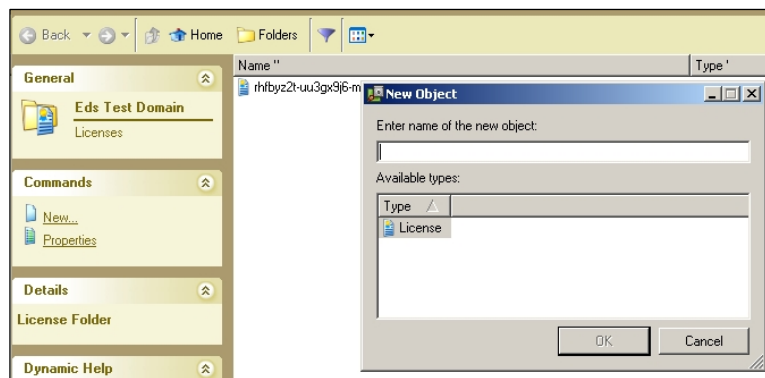


1 Go to <https://webkey.external.hp.com>.



- 2 Enter Registration Number into website.
- 3 A web form will be presented. Answer questions and license key will be sent to email address supplied.

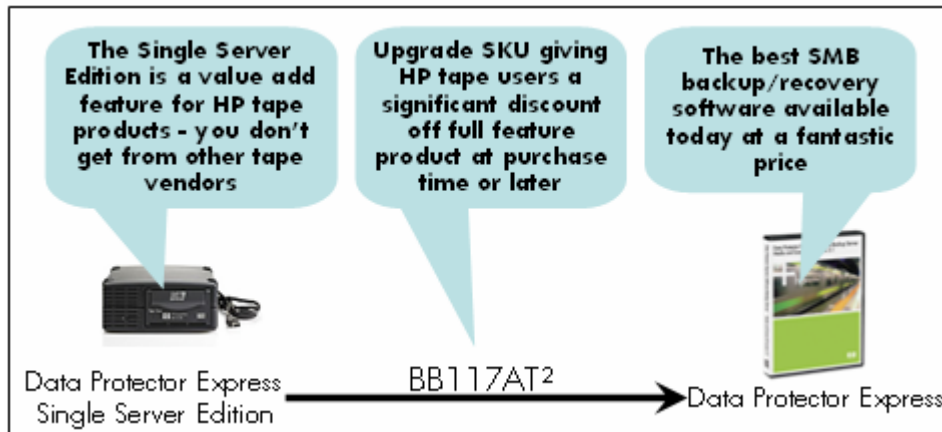
4 In Data Protector Express GUI, select Help/Licenses, then right-click in licenses and and select New . . .



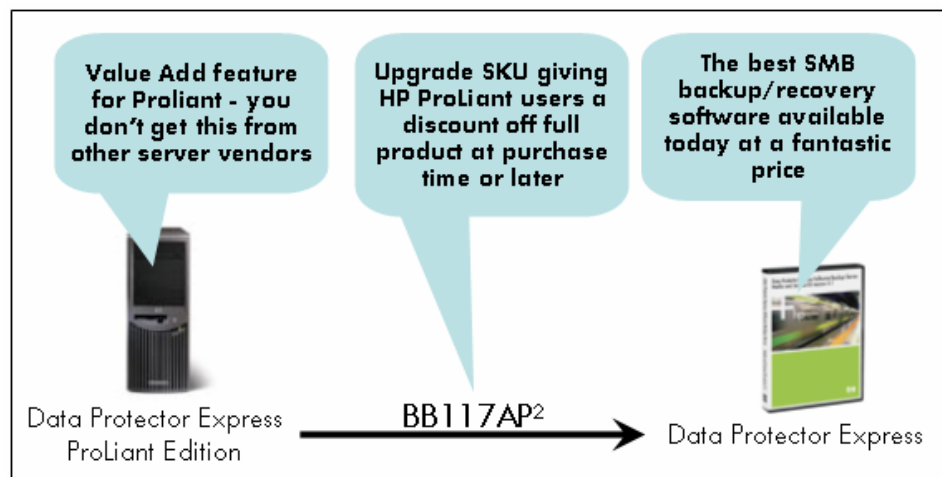
- 5 Enter license key into New (license) Object dialogue box.

1. To be eligible for the support included with Data Protector Express registration is required.
2. It is the same process for Data Protector Express, Data Protector Express Single Server Edition, and Data Protector Express ProLiant Edition. The Entitlement Certificate may be electronic and/or paper.
3. As well as a web form registration is also possible by email, fax, post, and phone.

Upgrading from Data Protector Express Single Server Edition¹ to Data Protector Express



Upgrading from Data Protector Express ProLiant Edition to Data Protector Express



- ¹ Also available for HP tape drive customers that have Yosemite TapeWare XE acquired with earlier HP tape drives.
- ² Ordering the Single Server Edition or ProLiant Edition upgrade SKU gets the customer exactly the same product as the ordering BB117AA. The upgrade SKU is only available to owners of Data Protector Single Server Edition and Data Protector Express ProLiant Edition. The license key delivered as a result of ordering the upgrade SKU will only unlock the full product functionality in conjunction with an existing license key for the Single Server Edition or ProLiant Edition.


Data Protector Express and Data Protector Express special editions differences

Feature	Data Protector Express	Data Protector Express Single Server Edition	Data Protector Express ProLiant Edition
Availability & Distribution	HP channel partners and HP Shopping websites (USA). Backup Server (base product) ships as a media kit. Options and extensions ship as a paper entitlement certificate.	As part of tape drive and tape autoloader solutions only. Cannot be purchased separately. Delivered as a CD-ROM with tape drive or tape autoloader.	As part of ProLiant solution only. Cannot be purchased separately. Delivered by way of download to ProLiant customers.
Service pack delivery	Pulled off web.	Pulled off web.	Pulled off web.
Version upgrades	Pulled off web.	Not available.	Not available.
Support	1 year included with product providing business hours phone support, rights to Service Packs, and rights to new minor versions.	1 year included with product providing business hours phone support and rights to Service Packs.	90 days get started assistance - in line with ProLiant Essentials support – from time of new ProLiant server purchase.
Media Servers	Backup Server is a Media Server. Four additional Media Servers can be added by ordering the Media Server option.	Backup Server is a Media Server. Zero additional Media Servers can be added.	Backup Server is a Media Server. Zero additional Media Servers can be added.
Network backup of servers	Up to 20 supported (including Backup Server). Each added server (Media Server, File Server, and Application Server) reduces this by one. Server defined by server-class operating system.	Not supported. Only local machine protected.	Not supported. Only local machine protected.
Protection of MS Exchange Server	Yes, online backup agent is an option (BB123AA). Each Exchange Server protected counts as one of the 20 network servers that can be protected.	Not available. To add this option must first upgrade (BB117AT) to Data Protector Express then purchase option (BB123AA).	Not available. To add this option must first upgrade (BB117AP) to Data Protector Express then purchase option (BB123AA).
Protection of MS SQL Server	Yes, online backup agent is an option (BB124AA). Each SQL Server protected counts as one of the 20 network servers that can be protected.	Not available. To add this option must first upgrade (BB117AT) to Data Protector Express then purchase option (BB124AA).	Not available. To add this option must first upgrade (BB117AP) to Data Protector Express then purchase option (BB124AA).
Network backup of desktops	Unlimited number supported. (Desktop defined by desktop-class operating system.)	Not supported. Only local machine protected.	Not supported. Only local machine protected.

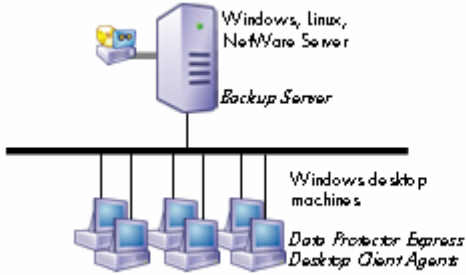
Feature	Data Protector Express	Data Protector Express Single Server Edition	Data Protector Express ProLiant Edition
BMDR Option	A cost option (BB128AA).	Included with this edition. The upgrade SKU (BB117AT) to Data Protector Express does not include the BMDR option. This must be purchased with the upgrade SKU to use/maintain DR support.	Not available. To add this option must first upgrade (BB117AP) to Data Protector Express then purchase option (BB128AA).
Device Licenses	Up to 32 single drive devices supported per Media Server. Multiple drive devices (physical and virtual) require one drive extension license (BB133AA) per drive in excess of one to maximum of 12 drives per Storage Management Domain.	Up to 32 single drive devices supported on Backup Server. To add drive extension licenses (BB133AA) need to upgrade to Data Protector Express (BB117AT) first.	Up to 32 single drive devices supported on Backup Server. To add drive extension licenses (BB133AA) need to upgrade to Data Protector Express (BB117AP) first.
Device Support	Tape (HP and non-HP) Disk CD/DVD	Tape (HP) Disk CD/DVD	Disk CD/DVD
D2D Backup Capacity and Features	Includes 500GB of (configured) Virtual Tape Library capacity for the Storage Management Domain. Expandable up to 3500GB with D2D2Any option (BB131AA, BB132AA). Extendable with D2D2Any option to move/copy VTL backup to other media.	Includes 36GB of (configured) D2D Backup capacity. Not expandable. To add D2D2Any option (BB131AA, BB132AA) need to upgrade to Data Protector Express (BB117AT) first.	Includes 36GB of (configured) D2D Backup capacity. Not expandable. To add D2D2Any option (BB131AA, BB132AA) need to upgrade to Data Protector Express (BB117AP) first.
Operating system and platform support	Windows (multi-platform) Linux (multi-platform) Netware (multi-platform)	Windows (multi-platform) Linux (multi-platform) Netware (multi-platform)	Windows (ProLiant) Linux (ProLiant)
Job Scheduling options	All available.	Limited.	Limited.
Maximum concurrent (parallel) data streams	8 per device	4 per device	1 per device

Configuration examples

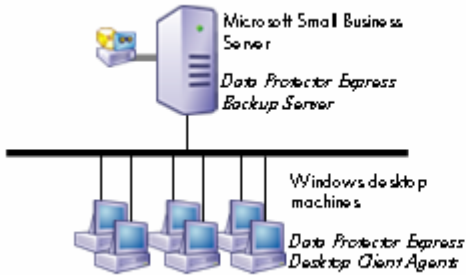
Protecting a Single Server by backup to local tape device

 <p>Tape device</p> <p>Windows, Linux, NetWare Server</p> <p>Backup Server</p>	SKU	Description	Qty
	BB117AA	Backup Server	1
<p>Notes</p> <p>The Backup Server holds the Data Protector Express database and is a prerequisite for all installations. It also acts as a Media Server.</p> <p>For StorageWorks tape drive and autoloader customers this can also be done with Data Protector Express Single Server Edition.</p>			

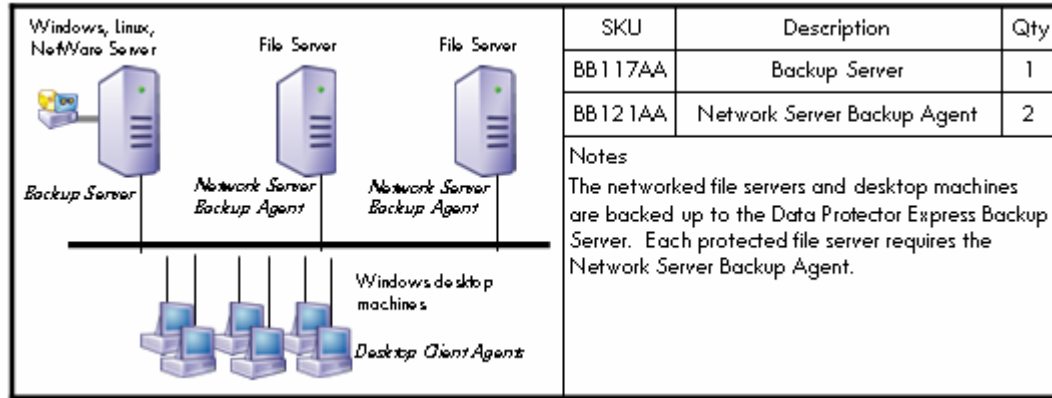
Protecting a File Server and its desktop clients by backup to local tape device on File Server

 <p>Windows, Linux, NetWare Server</p> <p>Backup Server</p> <p>Windows desktop machines</p> <p>Data Protector Express Desktop Client Agents</p>	SKU	Description	Qty
	BB117AA	Backup Server	1
<p>Notes</p> <p>Capability to protect desktop clients (defined as running Windows desktop operating system) is included in Backup Server LTU.</p>			

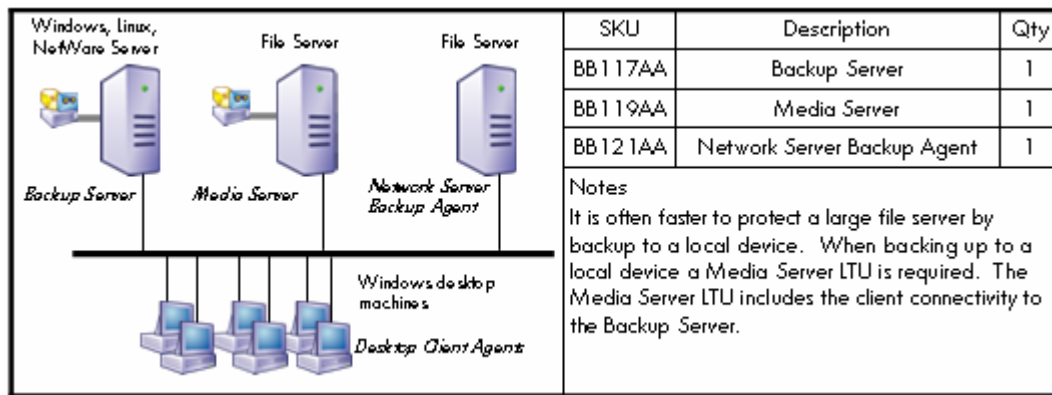
Protecting a Microsoft Small Business Server and its desktop clients by backup to local tape device on File Server

 <p>Microsoft Small Business Server</p> <p>Data Protector Express Backup Server</p> <p>Windows desktop machines</p> <p>Data Protector Express Desktop Client Agents</p>	SKU	Description	Qty
	BB118AA	Small Business Server Package	1
<p>Notes</p> <p>This package contains</p> <ul style="list-style-type: none"> ▪ Data Protector Express Backup Server (BB117AA) ▪ MS Exchange Agent (BB112AA) ▪ MS SQL Server Agent (BB124AA) ▪ Bare Metal Disaster Recovery option (BB128AA) <p>The Data Protector Express SBS Package is for both Standard and Premium versions of MS Small Business Server.</p>			

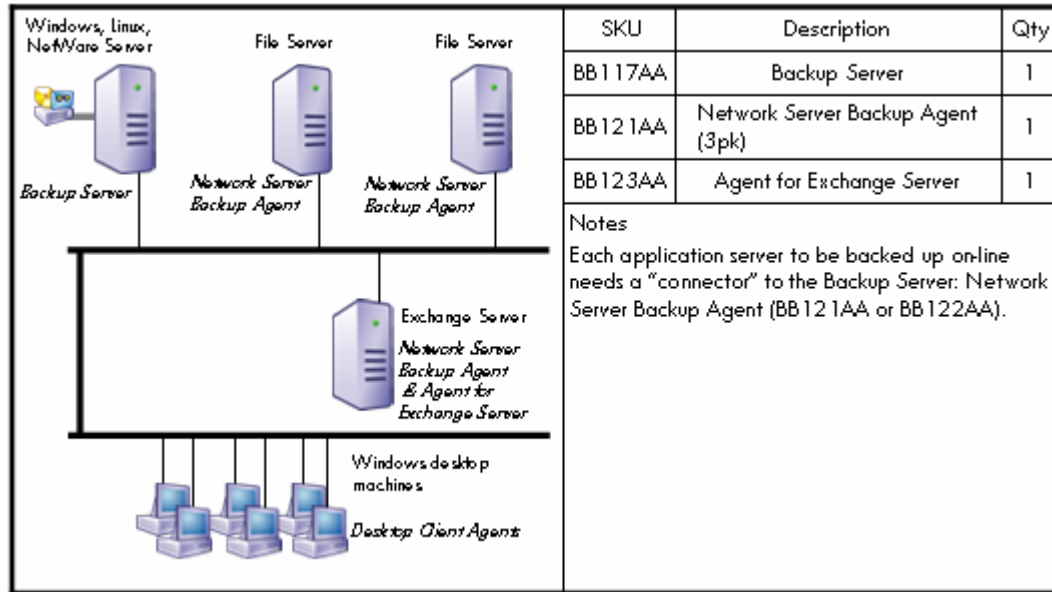
Protecting multiple file servers using a consolidated tape device



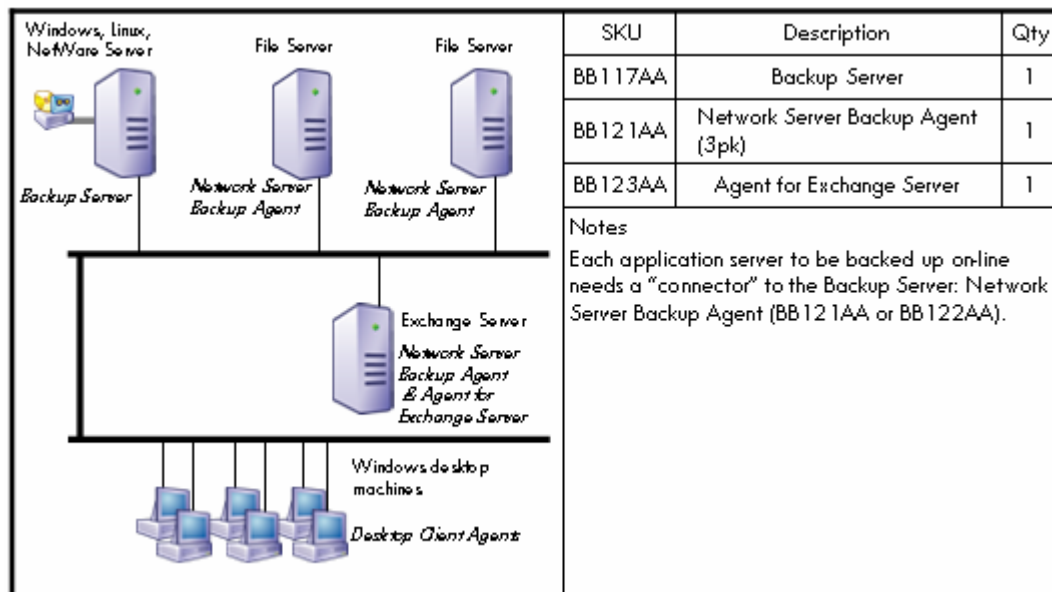
Protecting multiple file servers using a consolidated and local tape devices



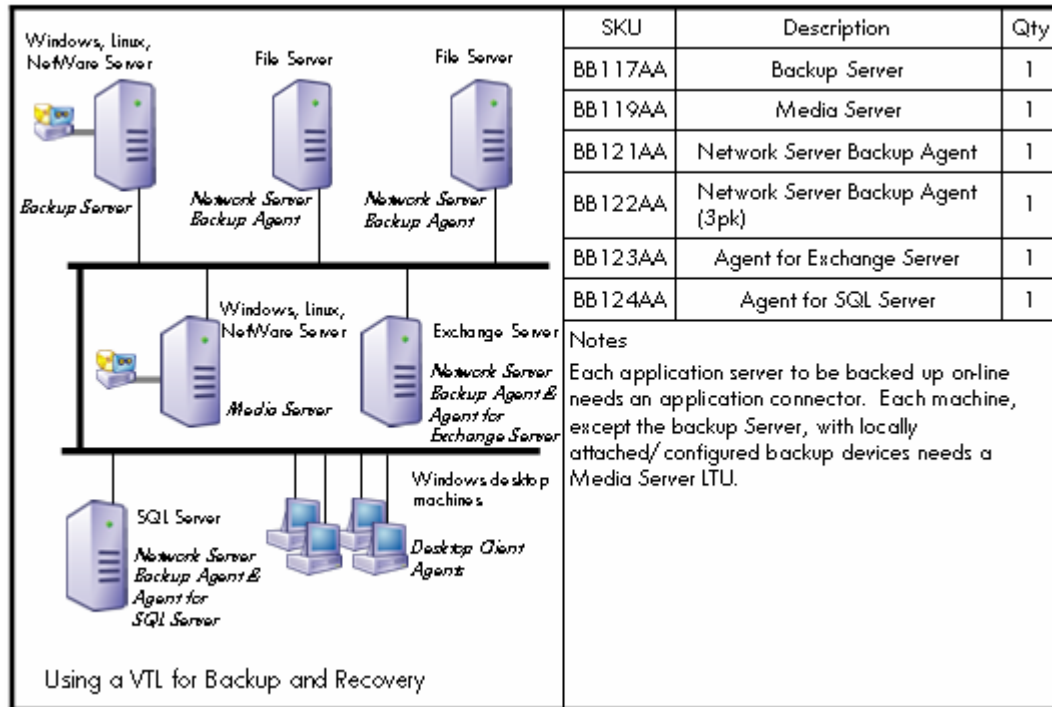
Protecting multiple file and application servers using a consolidated tape device



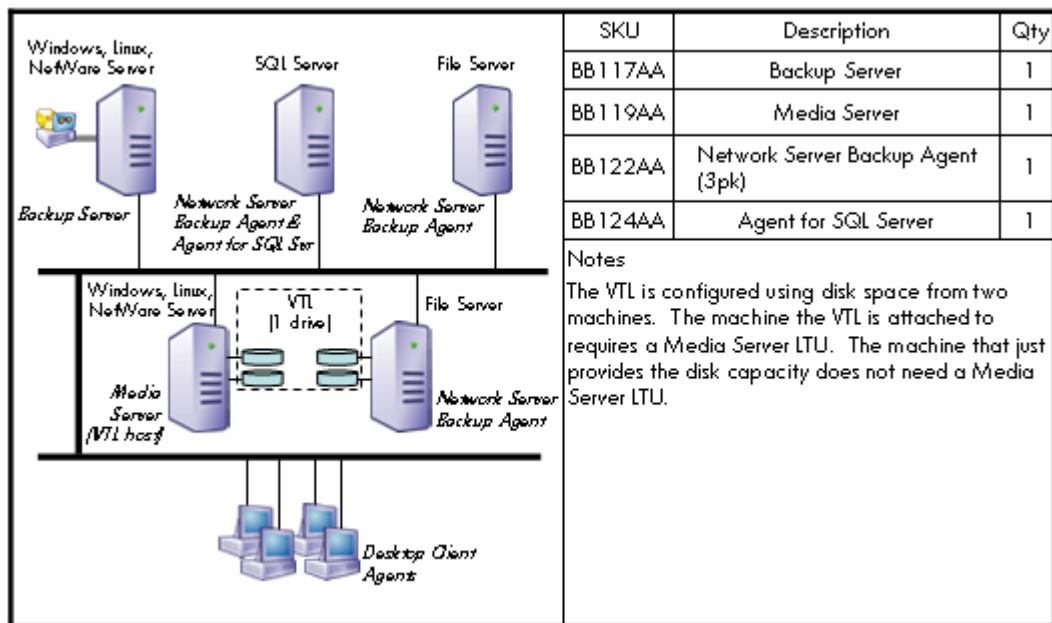
Protecting multiple file and application servers using local devices for high performance



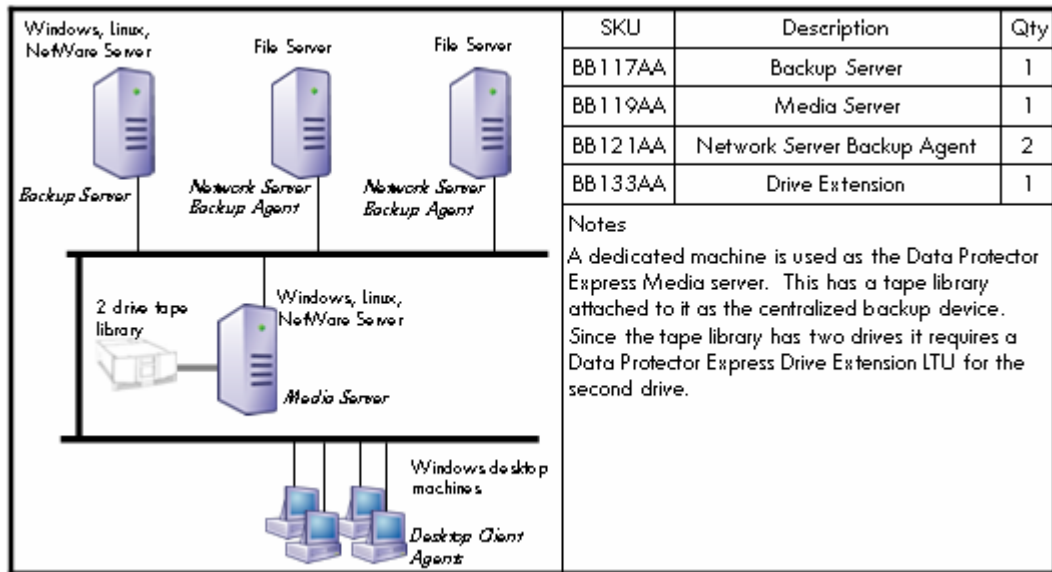
Protecting multiple file and application servers using a dedicated Media Server



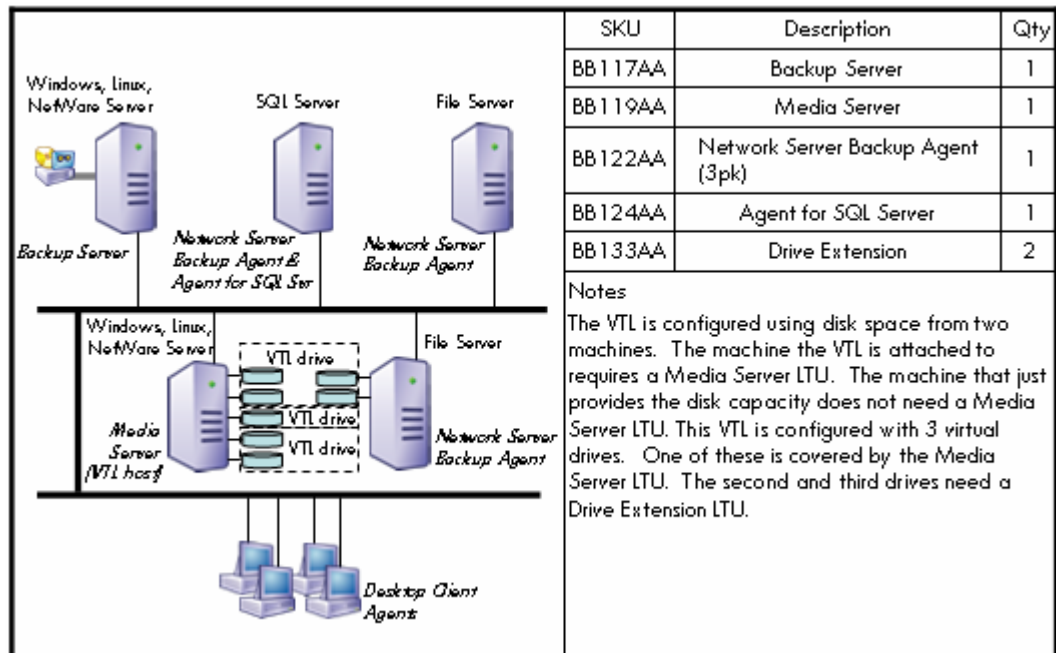
Using a VTL for Backup and Recovery



Using a tape library with multiple tape drives



Using a VTL with multiple virtual tape devices



For more information

<http://www.hp.com/go/dataprotectorexpress>
<http://www.hp.com/go/dataprotectorexpress/sse>
<http://www.hp.com/go/dataprotectorexpress/pe>
<http://www.hp.com/go/tape>
<http://www.hp.com/go/proliant>

© 2006 Hewlett-Packard Development Company, L.P. The information contained herein is subject to change without notice. The only warranties for HP products and services are set forth in the express warranty statements accompanying such products and services. Nothing herein should be construed as constituting an additional warranty. HP shall not be liable for technical or editorial errors or omissions contained herein.

Microsoft and Windows are U.S. registered trademarks of Microsoft Corporation. UNIX is a registered trademark of The Open Group. Linux is a U.S. registered trademark of Linus Torvalds.

4AA0-3907ENW, February 2006

